

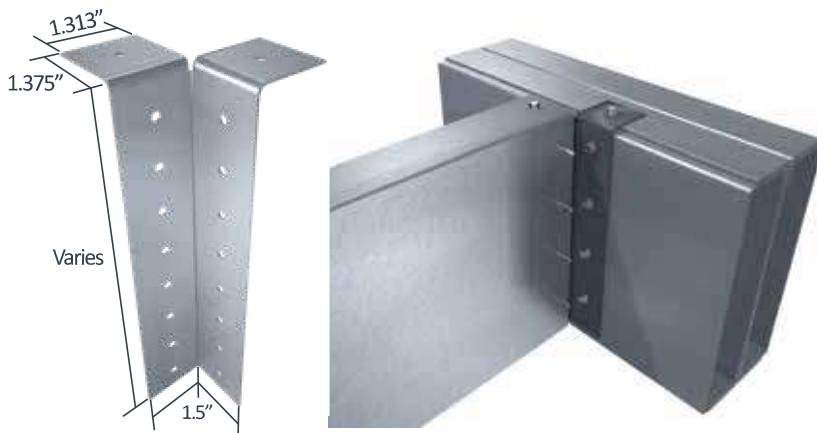
StiffClip® JC

Joist Connector



Material Composition

ASTM A1003/A1003M Structural Grade 50 (340) Type H, ST50H (ST340H): 50ksi (340MPa) minimum yield strength, 65ksi (450MPa) minimum tensile strength, with ASTM A653/A653M G90 (Z275) hot dipped galvanized coating.



StiffClip JC Allowable Loads

| StiffClip® JC Recommended Allowable Load (lbs): F3 Load Direction | | | | | | | | | | | | |
|---|--------------|--------------|--------------|----------|--------------|----------|--------------|----------|--------------|----------|--------------|----------|
| Screw Patterns with #12 Screws | JC362/400-43 | JC362/400-68 | JC600-43 | | JC600-68 | | JC800-43 | | JC800-68 | | JC1000-68 | |
| | 3 Screws | 3 Screws | 3 Screws | 5 Screws | 3 Screws | 5 Screws | 4 Screws | 7 Screws | 4 Screws | 7 Screws | 5 Screws | 9 Screws |
| 33mil (20ga), 33ksi Stud | 564 | 564 | 543 | 880 | 543 | 880 | 734 | 1,267 | 734 | 1,267 | 924 | 1,651 |
| 33mil (20ga), 50ksi Stud | 816 | 816 | 786 | 1,273 | 786 | 1,273 | 1,061 | 1,833 | 1,061 | 1,833 | 1,337 | 2,388 |
| 43mil (18ga), 33ksi Stud | 836 | 840 | 809 | 1,311 | 809 | 1,311 | 1,093 | 1,887 | 1,093 | 1,887 | 1,376 | 2,459 |
| 43mil (18ga), 50ksi Stud | 836 | 1,215 | 1,170 | 1,896 | 1,170 | 1,896 | 1,580 | 2,729 | 1,580 | 2,729 | 1,990 | 3,556 |
| 54mil (16ga), 33ksi Stud | 836 | 1,182 | 1,187 | 1,924 | 1,138 | 1,845 | 1,604 | 2,770 | 1,538 | 2,655 | 1,936 | 3,460 |
| 54mil (16ga), 50ksi Stud | 836 | 1,482 | 1,646 | 2,158 | 1,643 | 2,664 | 2,224 | 3,220 | 2,220 | 3,834 | 2,796 | 4,996 |
| 68mil (14ga), 50ksi Stud | 836 | 1,482 | 1,646 | 2,158 | 2,071 | 3,357 | 2,224 | 3,220 | 2,798 | 4,617 | 3,524 | 5,062 |
| 97mil (12ga), 50ksi Stud | 836 | 1,482 | 1,646 | 2,158 | 2,071 | 3,357 | 2,224 | 3,220 | 2,798 | 4,617 | 3,524 | 5,062 |
| Max Allowable Clip Load | 836 | 1,482 | 2,158 | | 3,639 | | 3,220 | | 4,617 | | 5,062 | |

| StiffClip® JC Recommended Allowable Load (lbs): F3 Load Direction | | | | | | |
|---|----------------|-----------------|----------------|-----------------|----------------|-----------------|
| Screw Patterns with #12 Screws | JC1200-68 | | JC1400-68 | | JC1600-68 | |
| | w/6 #12 screws | w/11 #12 screws | w/7 #12 screws | w/13 #12 screws | w/8 #12 screws | w/15 #12 screws |
| 54mil (16ga), 33ksi Stud | 2,334 | 4,260 | 2,731 | 5,057 | 3,128 | 5,649 |
| 54mil (16ga), 50ksi Stud | 3,371 | 5,649 | 3,944 | 5,649 | 4,517 | 5,649 |
| 68mil (14ga), 50ksi Stud | 4,247 | 5,649 | 4,970 | 5,649 | 5,649 | 5,649 |
| 97mil (12ga), 50ksi Stud | 4,247 | 5,649 | 4,970 | 5,649 | 5,649 | 5,649 |
| Max Allowable Clip Load | 5,649 | | 5,649 | | 5,649 | |

Notes:

1. Design loads are for attachment of StiffClip JC to joist only. Load tables reflect vertical loads (F3).
2. Design loads consider clip capacity and screw connection to the joist only.
3. All guide holes may not require fasteners. Fastener size and quantity determined by designer.
4. Torsional effects are considered on screw group for F3 allowable loads. It is assumed that half of the torsional moment is resisted by the connection to the structure and half is resisted by the connection to the joist.
6. Allowable loads have not been increased for wind, seismic, or other factors.
7. StiffClip JC attachment to the beam or structure must be designed to be greater than or equivalent to the joist attachment.
8. For LRFD strengths contact TSN technical services.

Nomenclature

StiffClip JC is designated by listing the joist depth in inches, followed by the required clip thickness in mils that will accommodate anticipated loads. (see load tables above)

Example: 6" joist, 3,000 lbs. load

Designate: StiffClip® JC600-68

Load Direction

