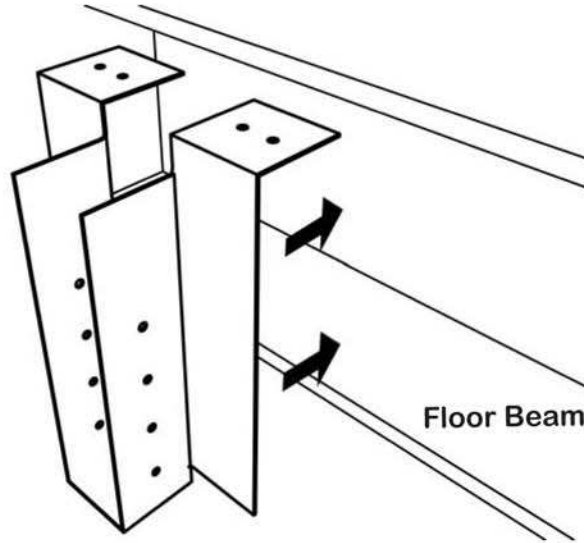
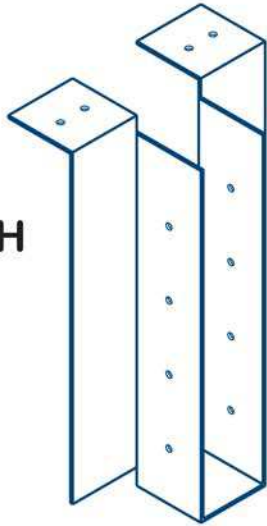


# StiffClip® JH Installation Instructions

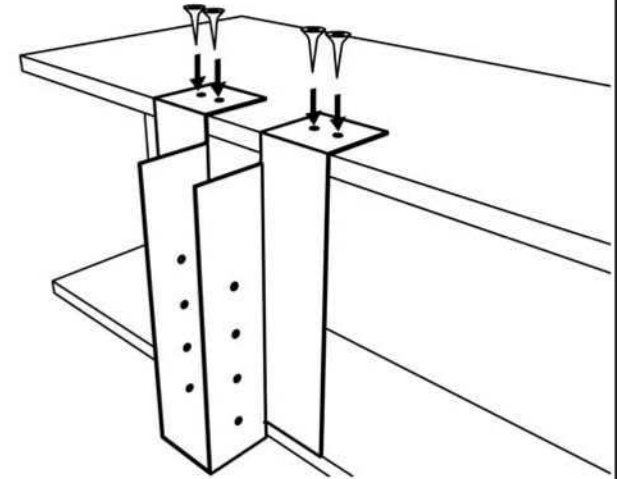
## Joist Hanger



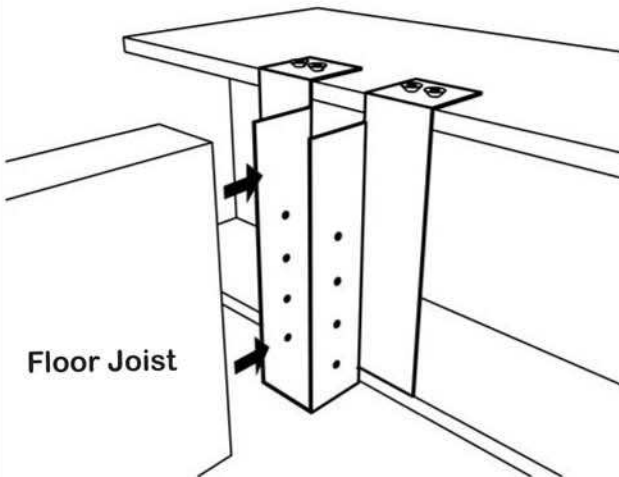
StiffClip® JH



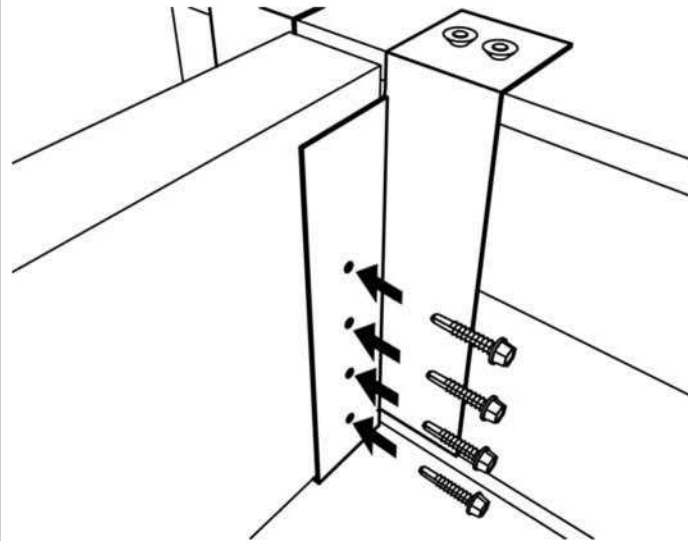
Floor Beam



Refer to Design Drawings  
for fastener type, size,  
and amount



Floor Joist



Refer to Design Drawings  
for fastener type, size,  
and amount

For Installation, Technical, or  
Submittal questions, contact TSN  
at (888) 474-4876.

Email us at [tsn@steelnetwork.com](mailto:tsn@steelnetwork.com).

Visit [www.steelnetwork.com](http://www.steelnetwork.com)  
and discover the value of each  
TSN Solution.

Rev 1