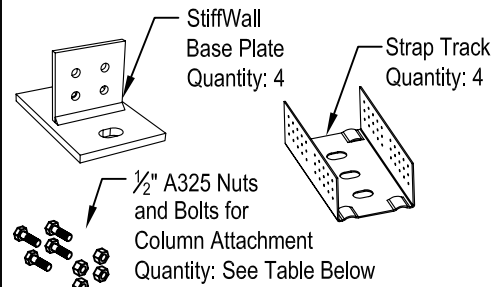


StiffWall® SW-S Boots Small-Large Installation Instructions

The Steel Network, Inc. (888) 474-4876



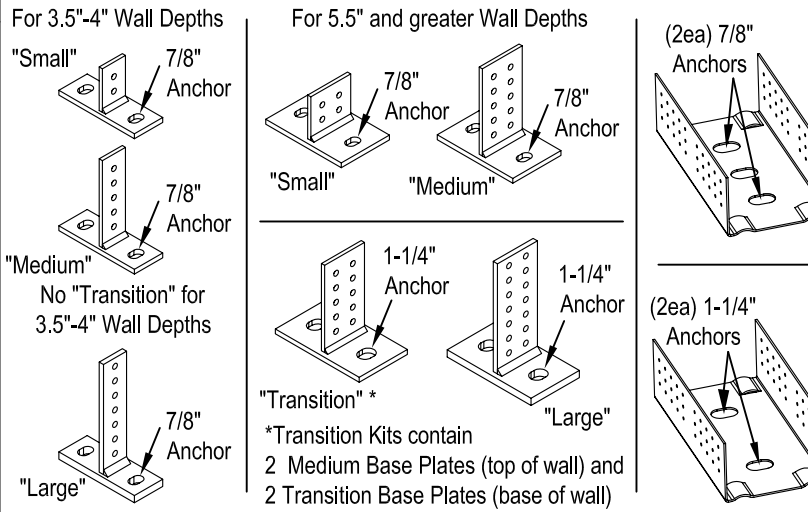
① Verify Box Contents. StiffWall Boot Kits include components for 4 StiffWall Boots, one for each corner of the Shear Wall.



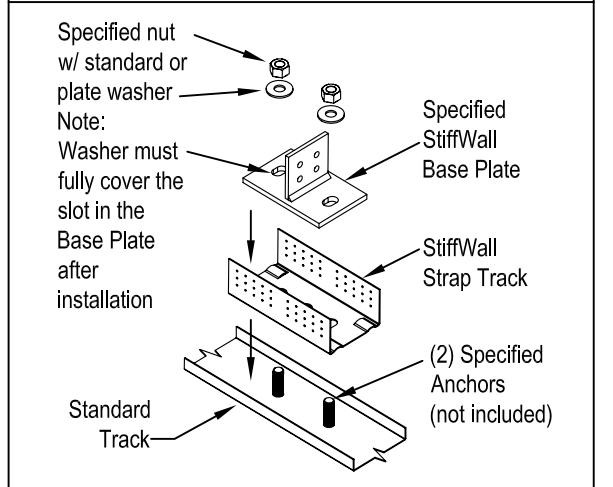
Quantity of 1/2" A325 Nuts and Bolts per Kit

3.5"-4" Wall Depths		5.5" and greater Wall Depths	
Boot Type	Qty	Boot Type	Qty
Small	8	Small	16
Medium	20	Medium & Transition	40
Large	28	Large	56

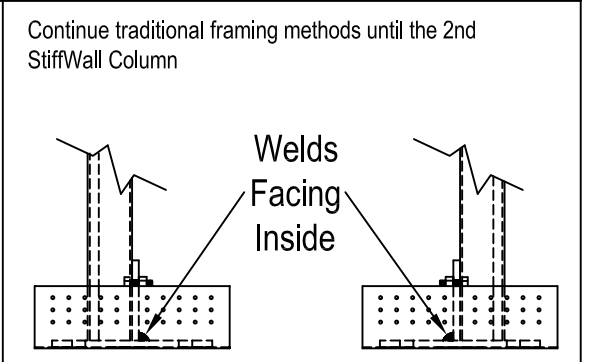
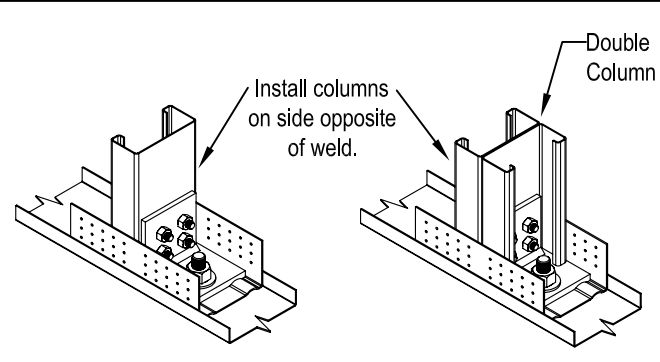
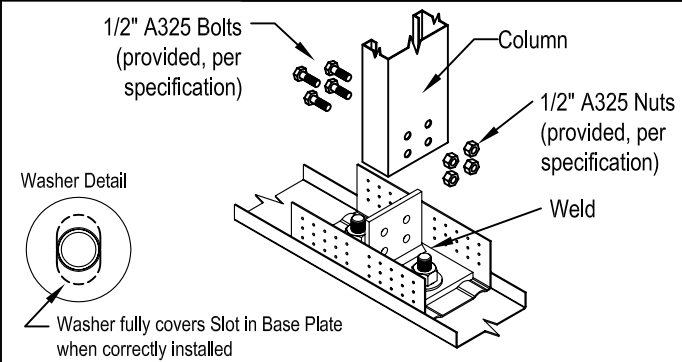
② Verify that the correct size Boot Kit is provided, and that the Strap Track anchor size matches the Base Plate. Four sizes are available: Small, Medium, Transition and Large.



③ For each corner of the StiffWall, install Strap Track and Base Plate in standard track at StiffWall Column locations. Note that the welds must always face the inside of the StiffWall.



④ Attach StiffWall Column to Base Plate with the specified number of 1/2" A325 bolts provided.



⑤ Attach flat strap through StiffWall Strap Track.

