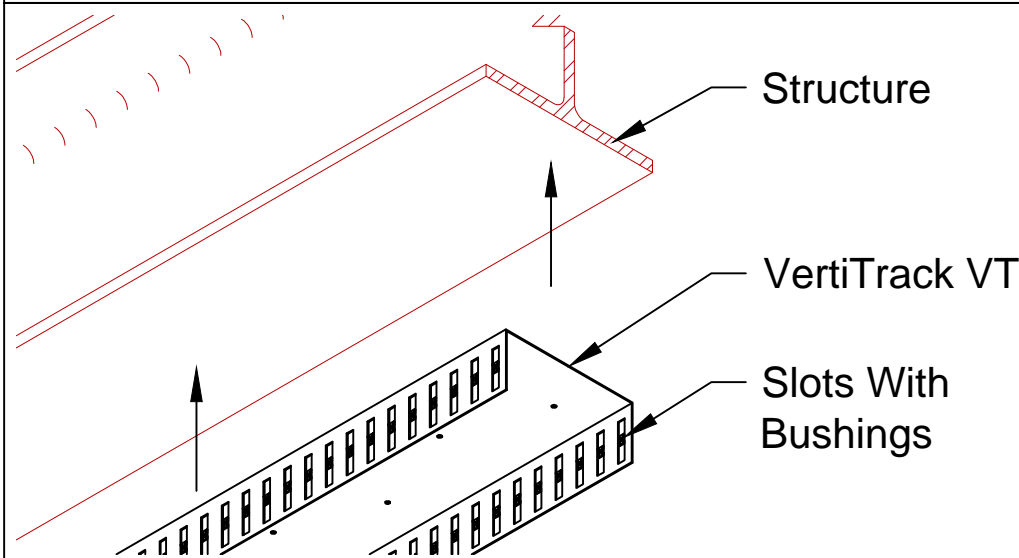


# VertiTrack® VT Installation Instructions, Vertical Deflection at Head of Wall

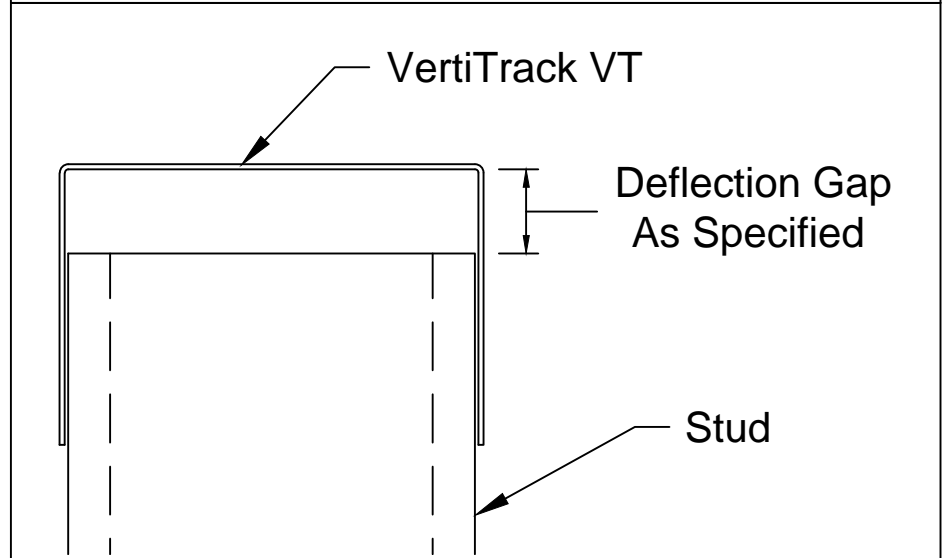
For Additional Information Please Call The Steel Network's Technical Services Department: (888) 474-4876 (4TSN)



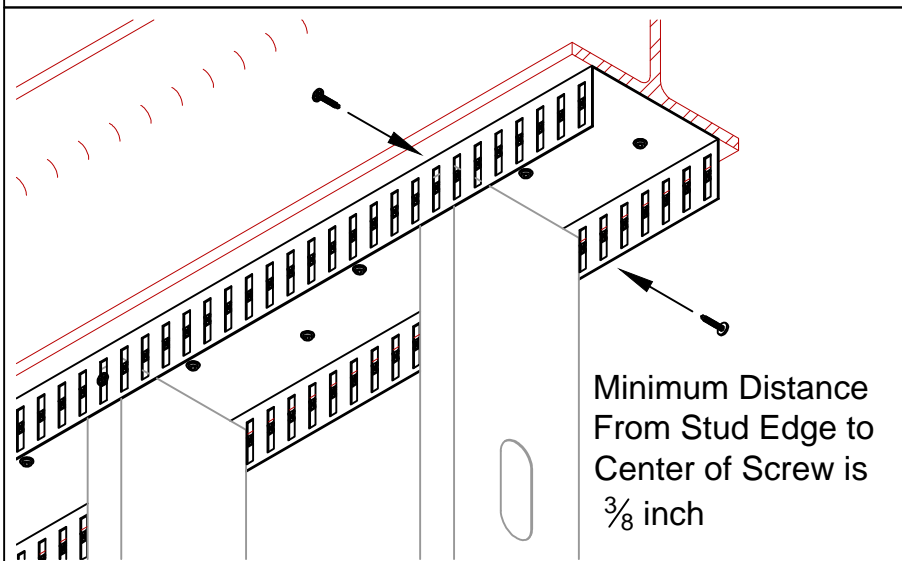
1. Attach VertiTrack VT to Structure Through Guideholes as Specified.



2. Trim Stud to Allow for Vertical Deflection.



3. Align Stud With Slots in VertiTrack VT at the Specified Stud Spacing.



4. Attach VertiTrack VT to Stud with #8-18 Modified Truss Head Screws Through Bushings in Each Flange.

