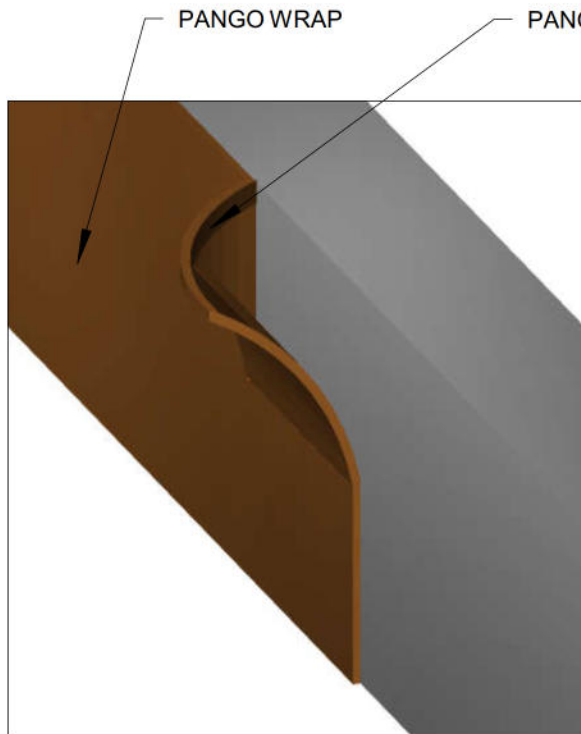
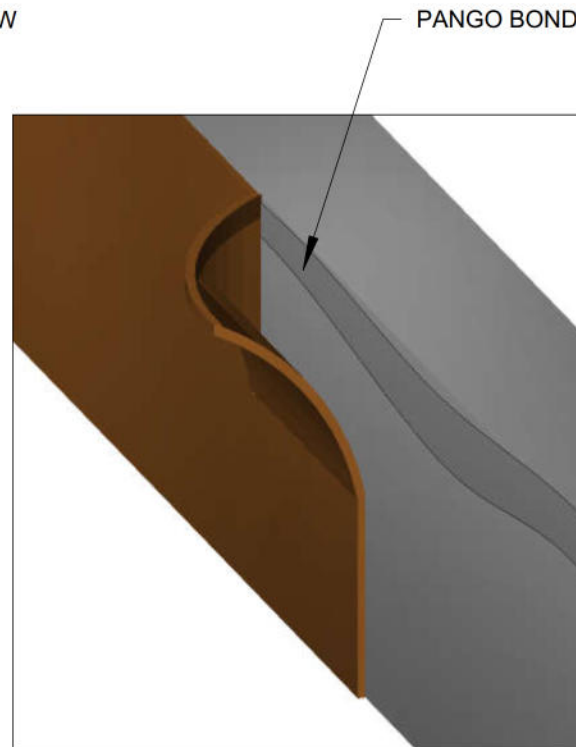




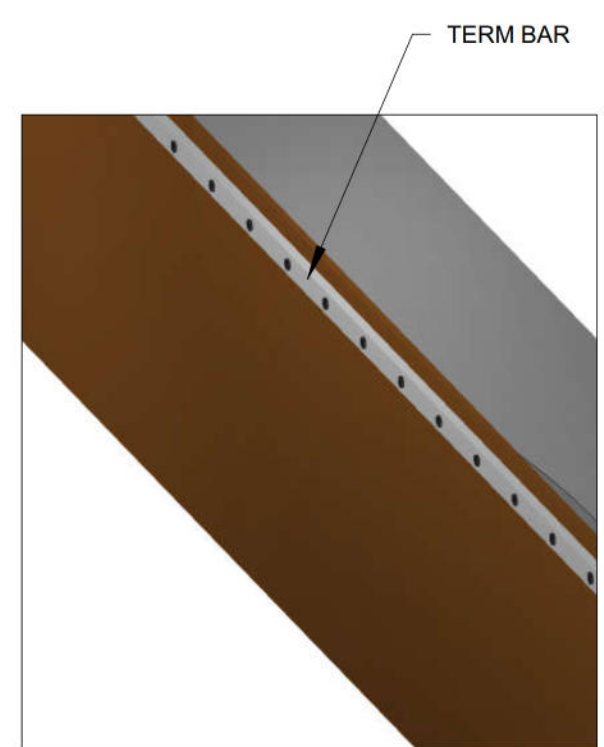
THIS PROGRESSION PROVIDES AN EXAMPLE ILLUSTRATING HOW PANGO WRAP CAN BE SEALED TO AN EXISTING CAST CONCRETE FOUNDATION STRUCTURE (E.G. WALL OR SLAB EDGE) FROM WHICH PANGO CLAW HAS BEEN DISLODGED AFTER SLAB PLACEMENT.



THIS FIGURE SHOWS PANGO CLAW PARTIALLY PULLED AWAY FROM THE CONCRETE CAST AGAINST IT



PANGO BOND IS APPLIED TO THE AREA OF THE CONCRETE AGAINST WHICH PANGO CLAW HAS DISLODGED.



PANGO WRAP IS PRESSED BACK INTO PLACE AND PANGO TERM BAR IS APPLIED AGAINST THE INTERFACE OF THE PANGO WRAP, PANGO BOND, AND CONCRETE FOUNDATION CONSTRUCTION.



PANGO® WRAP

PERIMETER DETAIL WITH PANGO® CLAW AND PANGO® BOND

CONCEPTUAL FIELD ILLUSTRATION

PAGE 1 OF 1

NOT TO SCALE

9 MARCH 2022

Conceptual Field Illustrations are drawings prepared by Stego Industries, LLC and intended to illustrate potential installation or repair details. These illustrations are not design documents and must be reviewed and approved by the appropriate design professional prior to utilization. Likewise, in no way do these illustrations waive the requirements of the Contract Documents or supersede local code requirements. A Conceptual Field Illustration that does not comply with the applicable version of ASTM E1643 and the installation instructions of the products under consideration, by definition, is not a Stego recommendation; rather, it is merely an example of a potential way to complete the work.