

SpecSeal® Ready® Split Sleeve

Ready® split sleeves are a complete UL Certified out-of-the-box solution for new or existing cable penetrations through walls and floors. Each sleeve kit contains a pre-cut split metallic sleeve, split mounting escutcheons, split intumescent escutcheon gaskets, wall labels, and the amount of putty required to seal both ends.

Ready® split sleeves are simple in design and installation. Each trade size includes a unique rolled lip design to eliminate potential sharp edges and do away with the need for conduit bushings.

Ready® split sleeves are sized to the same O.D. as standard EMT (Electrical Metal Tubing) and will accept EMT accessories such as grounding bushings. Additionally, Ready® split Sleeves provide an easy method for compliance with the sleeve attachment requirements of the 2015 IBC Section 714.2 and 2018 IBC Section 714.3 without the need for struts or other bracing.

Applications

Ready® split sleeves are used to protect or support cables in both non-rated and rated construction. Ready® split sleeves are suitable for use in all common constructions including concrete floors, concrete walls, concrete block walls, and gypsum board/stud wall assemblies up to 10 in (250 mm) thick.

Specifications

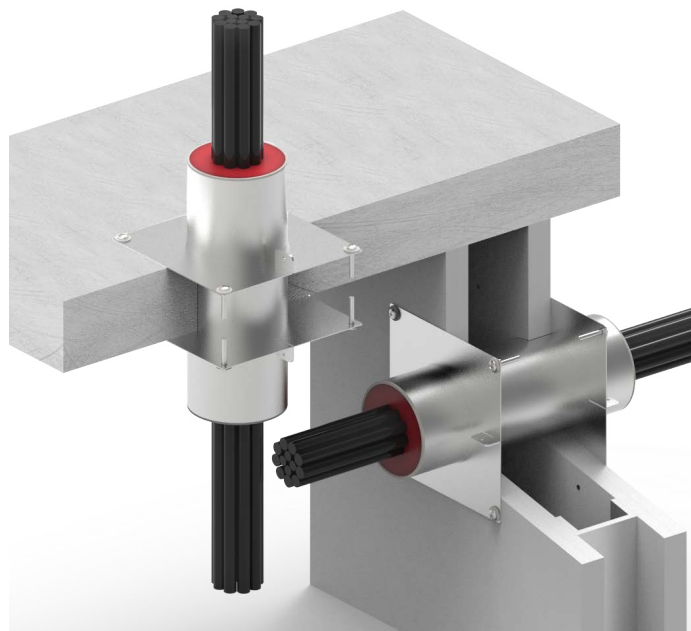
All data, video, communication, power, and control cabling shall be installed through sleeves wherever said cables penetrate fire resistance rated barriers. In the case of existing cable installation, a split sleeve device with corresponding split escutcheon plates to facilitate installation around existing cables shall be used. Sleeves shall be sized to accommodate present cable bundle diameter as well as anticipated growth. Split sleeve kit provided with intumescent gaskets and non-hardening intumescent firestop putty. When irregularly shaped openings are encountered, the split sleeve device shall be UL tested and certified for this purpose. The split sleeve device shall be UL Certified and tested to the requirements of ASTM E814 (UL1479) and CAN/ULC-S115. Split sleeve kit shall be UL tested in larger or irregularly shaped openings and include provisions for mounting device in such openings.

Specified Divisions

Division 7	07 84 13	Penetration Firestopping
Division 23	23 00 00	HVAC
Division 26	26 00 00	Electrical

Performance

Ready® split sleeves are UL tested and Certified in accordance with ASTM E814 (UL1479) and CAN/ULC-S115. Systems are available for cable penetrations through common wall constructions up to and including 4 hours and concrete floors up to 3 hours.



Features & Benefits

- Split design - for use with existing cables
- Oversize openings - UL tested for larger and irregularly shaped openings
- Ready to install - no cutting required, no waste
- Locks into place - no support struts and clamps required
- No external firestop seal required - factory supplied intumescent firestop gasket
- Firestop putty provided with kit - sufficient to seal ends to 1 in (25 mm) depth
- UL Certified and code compliant
- For rated and non-rated barriers - putty seal impedes the passage of fire, smoke, superheated gases, particulate dust, and minimizes noise transmission

Maintenance

SpecSeal® Firestop Putty is permanently non-hardening to facilitate the removal or addition of cables. After cable changes, reinstall putty to original depth. NOTE: This product represents a UL Certified Firestop System. Only approved SpecSeal® materials may be used. NO SUBSTITUTIONS ARE PERMITTED.

SpecSeal® Ready® Split Sleeve



PHYSICAL PROPERTIES

Available Sizes	1" (25 mm), 2" (51 mm), and 4" (102 mm)
Sleeve and Plate Construction	0.059" (1.5 mm) thick steel (zinc plated)
Intumescent Gasket Expansion Temperature	350°F (177°C)
Intumescent Gasket Volume Expansion	15x (free expansion)
Intumescent Gasket In Service Temperature	-10°F (-23°C) to 120°F (49°C)
Intumescent Gasket Storage Temperature	Less than 120°F (49°C)
Putty Fill Material Color	Red
Putty Fill Material Odor	None
Putty Fill Material Solids	100%
Putty Fill Material Volume Expansion	8x (free expansion)
Putty Fill Material In Service Temperature	-10°F (-23°C) to 120°F (49°C)
Putty Fill Material Storage Temperature	Less than 120°F (49°C)
Putty Fill Material Expansion Temperature	230°F (110°C)
Putty Fill Material VOC Content	0.00 lbs/gal (0.0 g/L)
Putty Fill Material Shelf Life	No Limit

System Selection

To find your firestop system or create a submittal, visit <https://systems.stifirestop.com/> to use System Search & Submittal Builder. You may also visit the [UL Online Certifications Directory/UL Product iQ™](#) for complete listings. (Firestop Systems).

Technical Service

Specified Technologies Inc. provides toll free technical support to assist in product selection and appropriate installation design. UL System designs suitable for submittal or specification purposes are available on request. A complete library of technical information is provided at the company's website www.stifirestop.com including Safety Data Sheets (SDS's).

Precautionary Information

No unusual hazards are known or expected. Observe normal safety procedures during installation.

Availability

SpecSeal® Ready® Split Sleeve Pathways are available from Specified Technologies Inc. (STI) authorized distributors. For additional purchasing and technical information or for the names and locations of the nearest representative and/or distributor, regarding this and other Specified Technology products, please call 1-800-992-1180 or visit www.stifirestop.com.

ORDERING INFORMATION

Catalog Number	UPC Number	Size	(UOM) Qty.	Case Qty.	Weight (Each)
FSR100	730573210000	1" (25 mm) split sleeve (includes escutcheon plates, gaskets, putty)	1	4	1.43 lbs (0.65 kg)
FSR200	730573220009	2" (51 mm) split sleeve (includes escutcheon plates, gaskets, putty)	1	4	2.87 lbs (1.30 kg)
FSR400	730573240007	4" (102 mm) split sleeve (includes escutcheon plates, gaskets, putty)	1	4	7.47 lbs (3.39 kg)

IMPORTANT NOTICE: ALL STATEMENTS, TECHNICAL INFORMATION, AND RECOMMENDATIONS CONTAINED HEREIN ARE BASED UPON TESTING BELIEVED TO BE RELIABLE, BUT THE ACCURACY AND COMPLETENESS THEREOF IS NOT GUARANTEED.

STI TYPICALLY WARRANTIES ITS PRODUCTS FOR ONE FULL YEAR. FOR COMPLETE DETAILS OF OUR STANDARD WARRANTY, PLEASE VISIT WWW.STIFIRESTOP.COM/LEGAL/WARRANTY

MADE IN THE USA - © 2020 SPECIFIED TECHNOLOGIES INC.