



SpecSeal® Window Wall Gasket

Window Wall Gasket is a thin, intumescent rubber gasket used to block the passage of fire and hot gases in window wall applications. The gasket has a glass fiber mesh embedded within the rubber matrix and is faced on both sides with polyethylene film to stand up to normal jobsite rigors and the typical exposure to the elements.

Window Wall Gasket is secured to the edge of slab or directly to the window wall unit sill to drape into the gap between the fire-rated floor and the slab cover. When exposed to temperatures in excess of 350°F (177°C) during a fire, the gasket begins to expand (intumesce) rapidly to form a dense, highly insulative char.

Applications

In window wall construction, the void between the concrete slab and the slab cover provides a direct path for heat and flames to compromise the vision panel sill on the top surface of the floor. Window Wall Gasket activates when heated to seal off the void area and block the spread of flames and hot gases. Window Wall Gasket meets the exacting criteria of ASTM E2307 for up to a 2 hour fire rating and is Intertek listed.

System Selection

To find your firestop system or create a submittal, visit <https://systems.stifirestop.com/> to use System Search & Submittal Builder. You may also visit the Intertek SpecDIRECT™ for complete listings. (Firestop Systems).

Technical Service

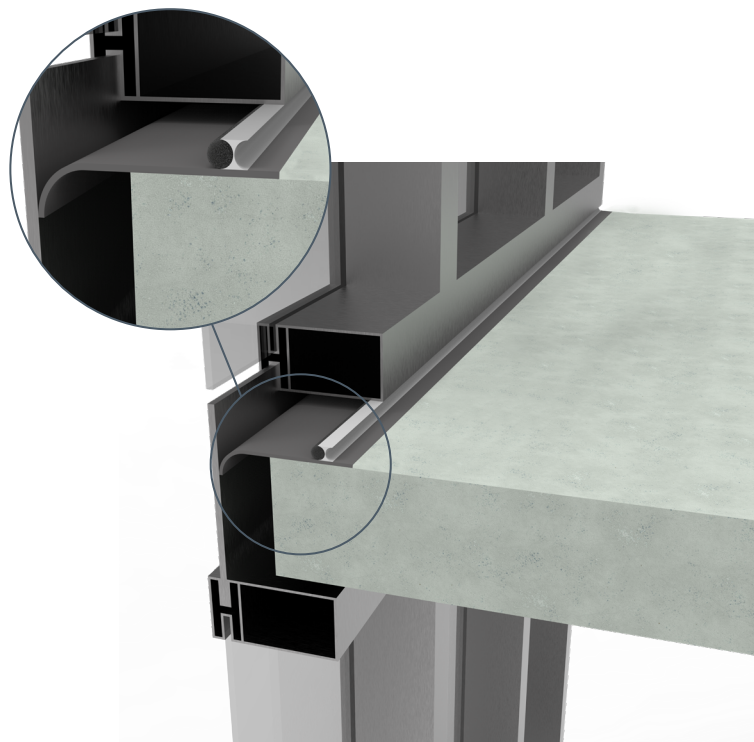
Specified Technologies Inc. provides toll free technical support to assist in product selection and appropriate installation design. UL System designs suitable for submittal or specification purposes are available on request. A complete library of technical information is provided at the company's website www.stifirestop.com including Safety Data Sheets (SDS's).

Testing & Approvals

Tested to ASTM E2307. Refer to Intertek's Directory of Building Products For Detailed Information.

Precautionary Information

Consult Safety Data Sheet (SDS) for additional information on the safe handling and disposal of this material.



PHYSICAL PROPERTIES	
Color	Gray
Encapsulation	Polyethylene film
Dimensions	8" (203 mm) x 360" (9.1 m)
Thickness	nom 5/64" (2 mm)
Expansion Ratio	11 to 14x
Expansion Temperature	350°F (177°C) to 400°F (204°C)
Expansion System	Single Stage
Density	74.92 lb/cu ft (1.2g/cu cm)
RoHS Compliant	Yes
In Service Temperature	Less than 130°F (54°C)
Shelf Life	Unlimited (when stored properly)



SpecSeal® Window Wall Gasket

Specifications

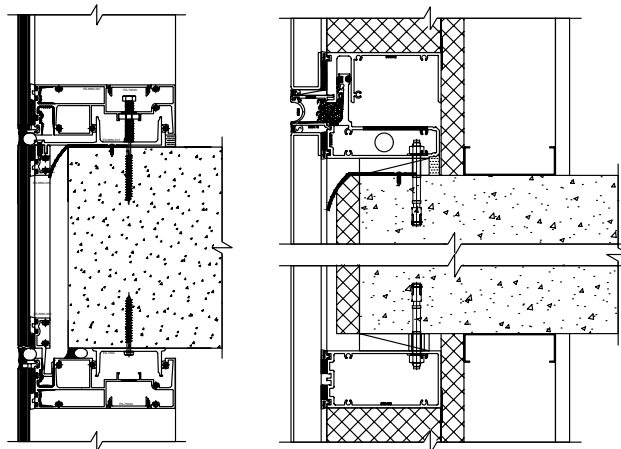
Intumescent joint gasket tested to ASTM E2307 in window wall and/or hybrid window wall conditions. The intumescent joint gasket shall incorporate polyethylene film encapsulant on both sides with an expansion ratio of minimum 11x.

Availability

Window Wall Gasket is available from Specified Technologies Inc. (STI) authorized distributors. For additional purchasing and technical information or for the names and locations of the nearest representative and/or distributor, regarding this and other Specified Technology products, please call 1-800-992-1180 or visit www.stifirestop.com.

Patents

US11105092B2; US2019383003A1



ORDERING INFORMATION

Catalog Number	UPC Number	Description	(UOM) Qty.	Case Qty.	Weight (Each)
WWG800	730573052525	8" (203.2 mm) x 30' (9.1 m) Roll, nom 5/64" (2 mm) Thick	1	1	11.49 lbs (5.21 kg)

IMPORTANT NOTICE: ALL STATEMENTS, TECHNICAL INFORMATION, AND RECOMMENDATIONS CONTAINED HEREIN ARE BASED UPON TESTING BELIEVED TO BE RELIABLE, BUT THE ACCURACY AND COMPLETENESS THEREOF IS NOT GUARANTEED.

STI TYPICALLY WARRANTIES ITS PRODUCTS FOR ONE FULL YEAR. FOR COMPLETE DETAILS OF OUR STANDARD WARRANTY, PLEASE VISIT WWW.STIFIRESTOP.COM/LEGAL/WARRANTY

MADE IN THE USA - © 2021 SPECIFIED TECHNOLOGIES INC.

