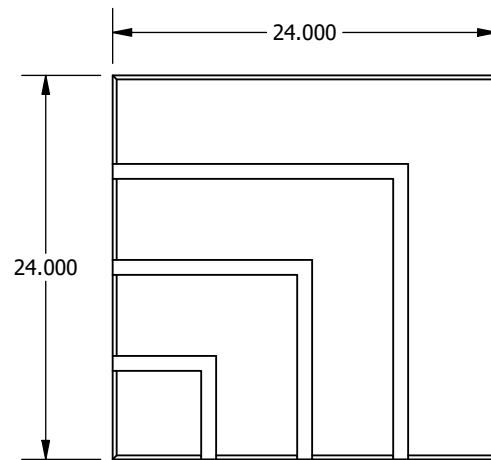
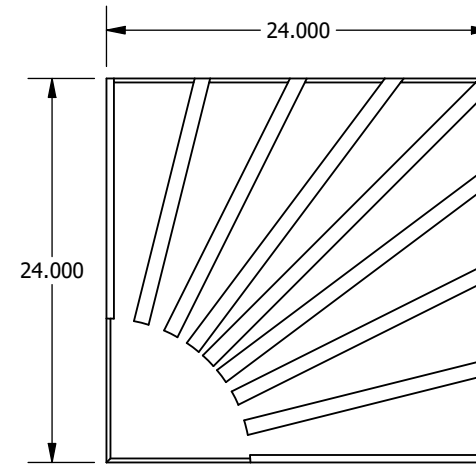


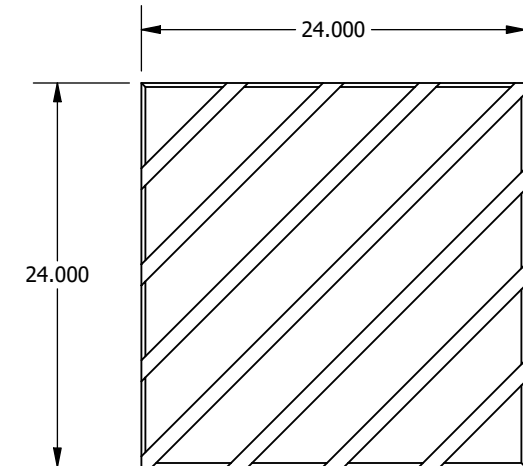
BP5421D03T10
Arcs Direct Attach Ceiling & Wall Panel



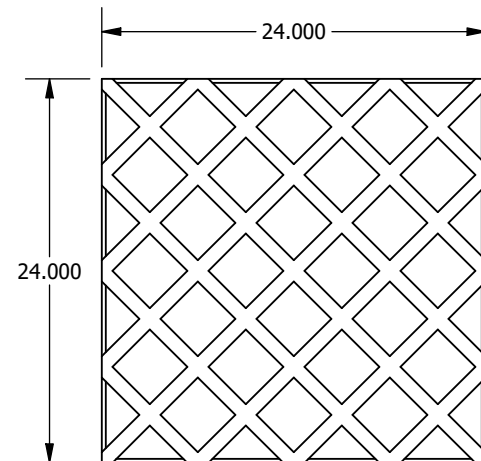
BP5421D07T10
Steps Direct Attach Ceiling & Wall Panel



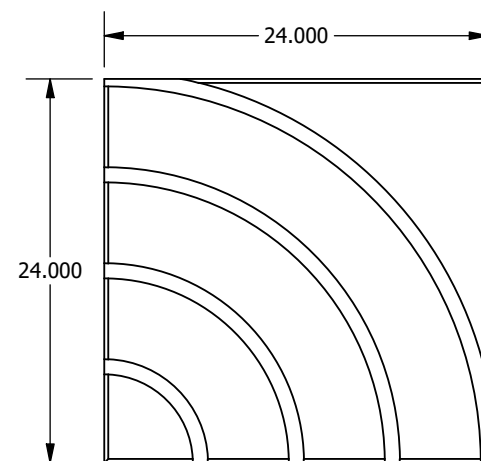
BP5421D05T10
Rays Direct Attach Ceiling & Wall Panel



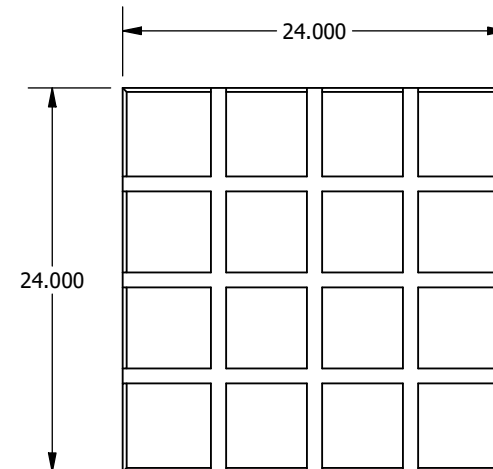
BP5421D02T10
Tilts Direct Attach Ceiling & Wall Panel



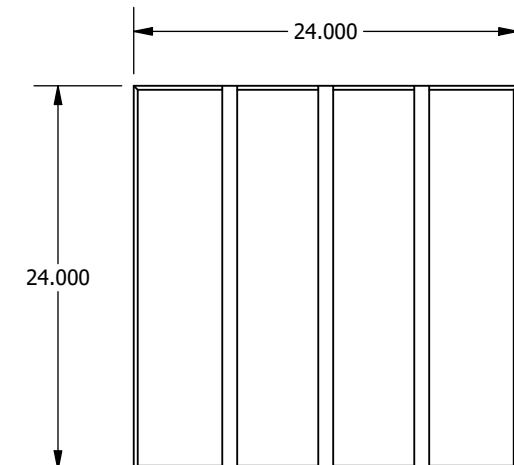
BP5421D01T10
Hatches Direct Attach Ceiling & Wall Panel



BP5421D04T10
Rings Direct Attach Ceiling & Wall Panel



BP5421D06T10
Checkers Direct Attach Ceiling & Wall Panel



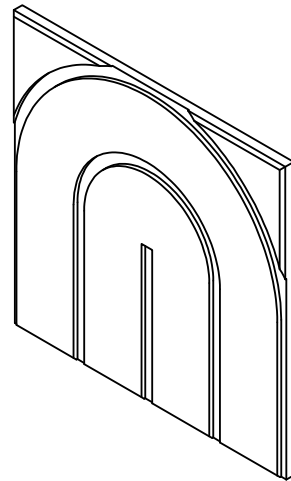
BP5421D08T10
Bands Direct Attach Ceiling & Wall Panel



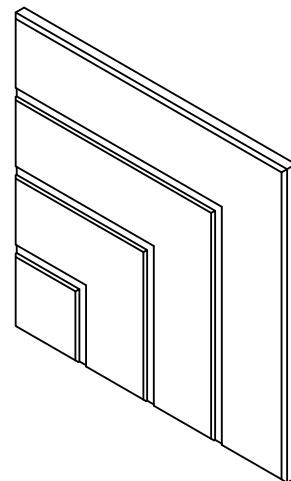
Tectum DesignArt Lines - Direct Attach Ceiling & Wall Panels

DRAWN BY: MAD DATE: 9/20/2021 PD

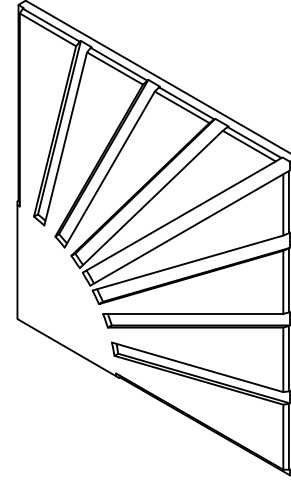
These drawings show typical conditions which the Armstrong products depicted are installed. They are not a substitute for an architect's or engineer's plan and do not reflect the unique requirements of local building codes, laws, statutes, ordinances, rules and regulations (Legal Requirements) that may be applicable for a particular installation. Armstrong does not warrant, and assumes no liability for the accuracy or completeness of the drawings for a particular installation or their fitness for a particular purpose. The user is advised to consult with a duly licensed architect or engineer in the particular locale of the installation to assure compliance with all legal requirements. Armstrong is not licensed to provide professional architecture or engineering design services.



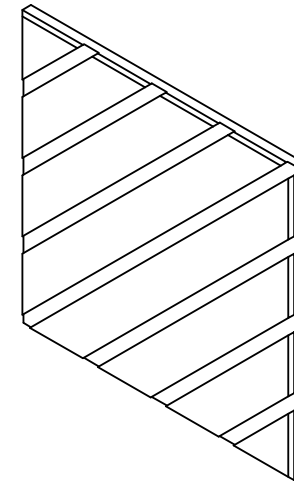
BP5421D03T10
Arcs Direct Attach Ceiling & Wall Panel



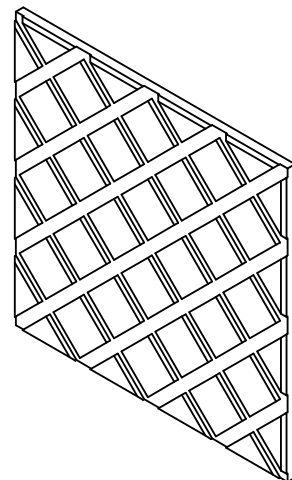
BP5421D07T10
Steps Direct Attach Ceiling & Wall Panel



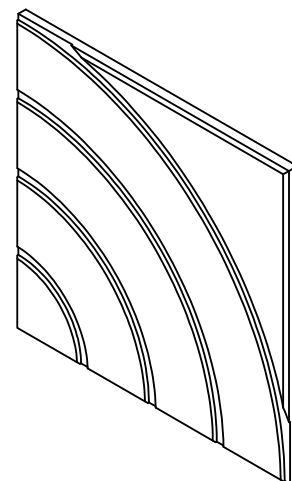
BP5421D05T10
Rays Direct Attach Ceiling & Wall Panel



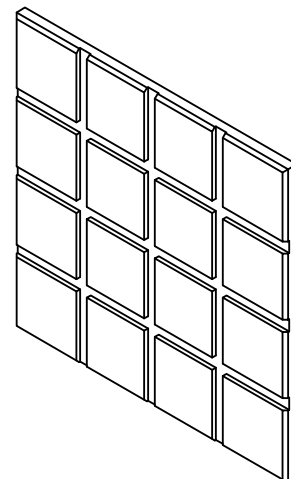
BP5421D02T10
Tilts Direct Attach Ceiling & Wall Panel



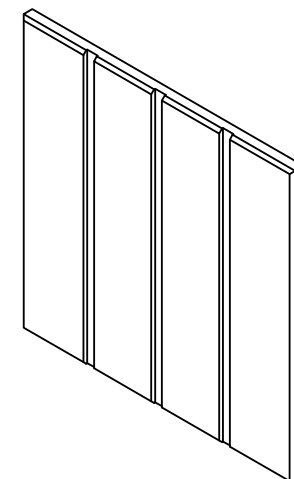
BP5421D01T10
Hatches Direct Attach Ceiling & Wall Panel



BP5421D04T10
Rings Direct Attach Ceiling & Wall Panel



BP5421D06T10
Checkers Direct Attach Ceiling & Wall Panel



BP5421D08T10
Bands Direct Attach Ceiling & Wall Panel



Tectum DesignArt Lines - Direct Attach Ceiling & Wall Panels

DRAWN BY: MAD DATE: 9/20/2021 PD

These drawings show typical conditions which the Armstrong products depicted are installed. They are not a substitute for an architect's or engineer's plan and do not reflect the unique requirements of local building codes, laws, statutes, ordinances, rules and regulations (Legal Requirements) that may be applicable for a particular installation. Armstrong does not warrant, and assumes no liability for the accuracy or completeness of the drawings for a particular installation or their fitness for a particular purpose. The user is advised to consult with a duly licensed architect or engineer in the particular locale of the installation to assure compliance with all legal requirements. Armstrong is not licensed to provide professional architecture or engineering design services.