

## Tectum™ Interior Panel Third Octave Sound Absorption

Rev. July 2012

TECTUM Inc. • P.O. Box 3002 • Newark, OH 43058 • www.tectum.com • 1-888-977-9691

### Frequency Hz

Thickness	Mounting	100	125	160	200	250	315	400	500	630	800	1000	1250	1600	2000	2500	3150	4000	5000	NRC	Test No.
1" - White	A	0.24	0.06	0.08	0.15	0.13	0.13	0.16	0.24	0.25	0.38	0.45	0.56	0.72	0.82	0.75	0.67	0.64	0.73	0.40	RAL-A86-43
1" - Natural	A	0.03	0.06	0.09	0.09	0.12	0.15	0.20	0.25	0.30	0.39	0.48	0.59	0.71	0.82	0.78	0.69	0.59	0.64	0.40	A120037
1"	D-20	0.20	0.07	0.11	0.16	0.15	0.18	0.19	0.36	0.40	0.54	0.65	0.74	0.72	0.71	0.65	0.66	0.81	0.87	0.45	RAL-A86-44
1"	C-20	0.31	0.16	0.18	0.30	0.43	0.58	0.74	1.00	1.08	1.15	1.05	0.96	0.83	0.79	0.79	0.89	0.98	0.99	0.80	RAL-A86-49
1"	C-40	0.24	0.32	0.39	0.53	0.70	0.83	0.95	1.09	1.08	1.04	0.93	0.81	0.75	0.76	0.81	0.90	0.94	0.97	0.85	RAL-A86-50
1" Finalé	A	0.09	0.18	0.26	0.30	0.47	0.55	0.70	0.87	0.92	1.02	1.03	0.93	0.83	0.70	0.71	0.86	1.02	1.02	0.75	66411.01A
1 1/2"	A	0.21	0.07	0.18	0.22	0.22	0.28	0.29	0.48	0.51	0.70	0.82	0.92	0.77	0.64	0.59	0.76	0.96	0.87	0.55	RAL-A86-42
1 1/2"	D-20	0.20	0.15	0.18	0.25	0.26	0.33	0.40	0.62	0.69	0.87	0.83	0.79	0.72	0.70	0.80	0.91	0.91	0.94	0.60	RAL-A86-45
1 1/2"	C-20	0.25	0.24	0.32	0.42	0.57	0.75	0.95	1.17	1.11	1.03	0.87	0.80	0.80	0.93	1.06	1.00	0.87	0.86	0.90	RAL-A86-48
1 1/2"	C-40	0.40	0.40	0.49	0.65	0.84	0.97	1.05	1.18	1.08	0.98	0.84	0.74	0.82	0.94	1.05	0.98	0.88	0.89	0.95	RAL-A86-51
1 1/2" Finalé	A	0.11	0.27	0.29	0.42	0.46	0.67	0.80	0.97	1.04	1.04	1.01	0.89	0.77	0.70	0.89	1.02	0.89	0.82	0.80	66411.01B
2"	A	0.25	0.15	0.19	0.24	0.26	0.33	0.44	0.62	0.71	0.91	0.94	0.87	0.70	0.64	0.74	0.95	0.92	0.92	0.60	RAL-A86-41
2"	D-20	0.28	0.15	0.23	0.30	0.36	0.38	0.49	0.74	0.84	0.90	0.82	0.74	0.72	0.82	0.93	0.90	0.92	0.98	0.70	RAL-A86-46
2"	C-20	0.35	0.24	0.36	0.49	0.67	0.85	1.04	1.14	1.12	0.97	0.87	0.80	0.91	1.06	1.03	0.92	0.96	1.02	0.95	RAL-A86-47
2"	C-40	0.42	0.42	0.51	0.67	0.89	1.01	1.07	1.19	1.04	0.89	0.85	0.81	0.94	1.08	1.00	0.92	0.94	0.97	1.00	RAL-A86-52
1" Lay-In	E-400	0.51	0.40	0.40	0.39	0.43	0.36	0.30	0.35	0.40	0.41	0.48	0.52	0.56	0.60	0.69	0.80	0.93	0.98	0.45	RAL-A86-95
1" Tonico	E-400	0.46	0.37	0.40	0.42	0.43	0.33	0.28	0.34	0.41	0.38	0.45	0.49	0.49	0.58	0.66	0.77	0.94	1.00	0.45	RAL-A86-94
1" Note 1	E-400	0.92	1.01	0.96	0.98	0.89	0.94	0.99	1.06	1.03	0.96	0.97	0.94	0.92	0.93	0.91	1.05	1.13	1.17	0.95	RAL-A86-96
1" Note 2	E-400	0.96	1.14	0.97	0.91	1.01	0.99	0.99	1.06	1.05	0.95	0.94	0.92	0.93	0.93	0.94	1.02	1.12	1.15	1.00	RAL-A86-97
1" Note 3	E-400	0.50	0.85	0.67	0.81	0.81	0.78	0.80	0.84	0.89	0.85	0.82	0.77	0.77	0.83	0.87	0.93	1.01	1.00	0.85	RAL-A99-167
1 1/2" Designer	E-400	0.63	0.44	0.44	0.48	0.47	0.35	0.34	0.36	0.47	0.49	0.51	0.54	0.61	0.71	0.84	1.01	1.06	1.10	0.50	RAL-A86-93
1 1/2" Designer +	E-400	0.68	0.35	0.40	0.48	0.42	0.36	0.35	0.39	0.46	0.46	0.51	0.56	0.63	0.72	0.82	0.97	1.05	1.13	0.50	RAL-A86-92
2" C-2	E-400	0.66	0.43	0.39	0.54	0.50	0.41	0.36	0.42	0.54	0.55	0.62	0.66	0.76	0.86	0.92	1.00	1.04	1.11	0.60	RAL-A86-91
3" C-3	E-400	0.88	0.70	0.50	0.59	0.50	0.41	0.44	0.52	0.62	0.66	0.76	0.83	0.90	0.92	0.98	1.10	1.16	1.12	0.70	RAL-A86-90
1" Fabri-Tough	A	0.03	0.05	0.12	0.10	0.16	0.14	0.19	0.30	0.34	0.48	0.57	0.70	0.88	0.94	0.90	0.79	0.70	0.77	0.50	RAL-A87-279
1" Fabri-Tough	D-20	0.14	0.13	0.13	0.13	0.19	0.23	0.31	0.45	0.57	0.71	0.86	0.93	0.90	0.80	0.74	0.75	0.84	.96	0.60	RAL-A87-281
1" Fabri-Tough	C-40	0.39	0.30	0.45	0.52	0.77	0.88	0.91	1.11	1.09	1.05	0.98	0.85	0.84	0.79	0.83	0.93	0.95	1.00	0.90	RAL-A87-280
1" Fabri-Tough Finalé	A	0.16	0.21	0.28	0.36	0.48	0.68	0.92	1.07	1.15	1.13	1.10	0.99	0.90	0.84	0.84	1.00	1.03	0.98	0.85	A120036
1" Fabri-Tough II*	A	0.46	0.46	0.51	0.55	0.62	0.73	0.81	0.91	0.90	0.91	0.89	0.82	0.71	0.66	0.74	0.84	0.85	0.83	0.75	RAL-Ao8-214

Note 1: Grid Lay-in Panels backed with 6 1/4" fiberglass R-19 Insulation (0.75 pcf density)

Note 2: Tonico Panels backed with 6 1/4" fiberglass R-19 Insulation (0.75 pcf density)

Note 3: Grid Lay-in Panels backed with 3 5/8" fiberglass Insulation (0.75 pcf density)

Note 4: Fabri-Tough II test with Guilford fabrics. Other fabrics may not have the same test results.

Finalé Panels have added one inch Tectum furring with one inch SoniCor between the furring

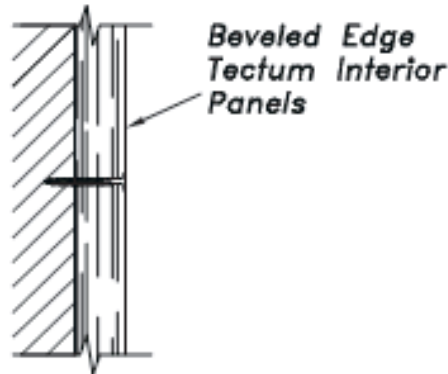
C-20 Mounting used OCF Type 703 Insulation

C-40 Mounting used OCF R-8 Noise Barrier Batts (0.75 pcf Density)

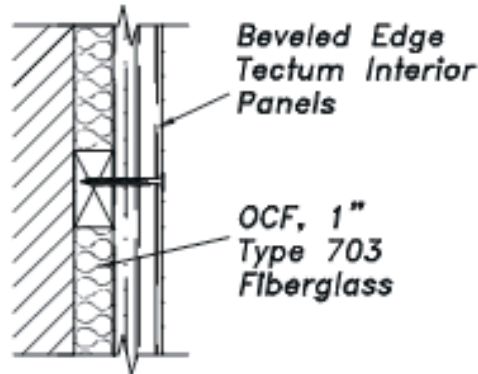
Test Methods conform to ASTM C423 and E795

## Typical Mounting Details for Sound Absorption

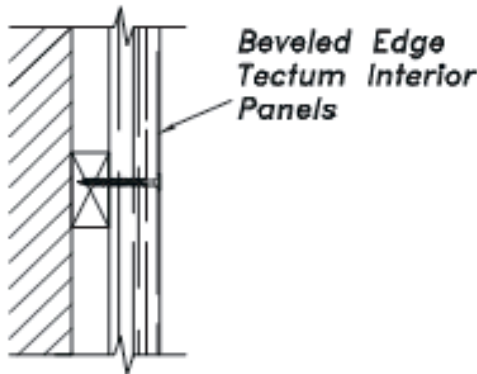
**MTG. A**—Laid directly against wall surface.



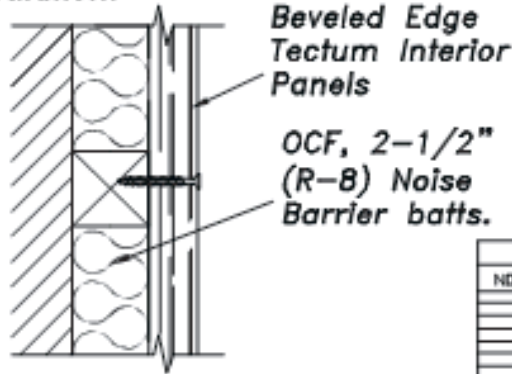
**MTG. C-20**  
Laid on 3/4" furring strips with insulation.



**MTG. D-20**  
Laid on 3/4" furring strips.



**MTG. C-40**  
Laid on 1-1/2" furring strips with insulation.




Install Panels with Tectum Painted Head Screws.

MTG. Type	Thickness	NRC
A	1"	0.40
A	1 1/2"	0.55
A	2"	0.60
D-20	1"	0.45
D-20	1 1/2"	0.60
D-20	2"	0.70
C-20	1"	0.80
C-20	1 1/2"	0.90
C-20	2"	0.95
C-40	1"	0.85
C-40	1 1/2"	0.95
C-40	2"	1.00

\*OCF is Owens Corning Fiberglass.

Third Octave Sound Absorption data is shown on Technical Bulletin T-71, Page 1.

REVISIONS					Tectum Interior Panel Mountings	
NO.	DATE	BY	REMARKS		DATE	SCALE
				DATE 8/11/98	SCALE none	DRAWING NUMBER T-71
				DRWN LDB	CHECKED	CAD FILE mounting
				APPROVED		