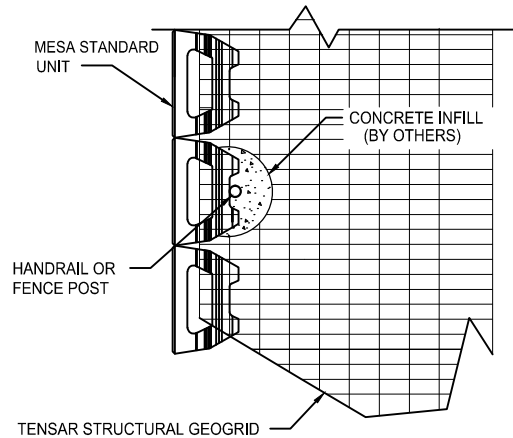
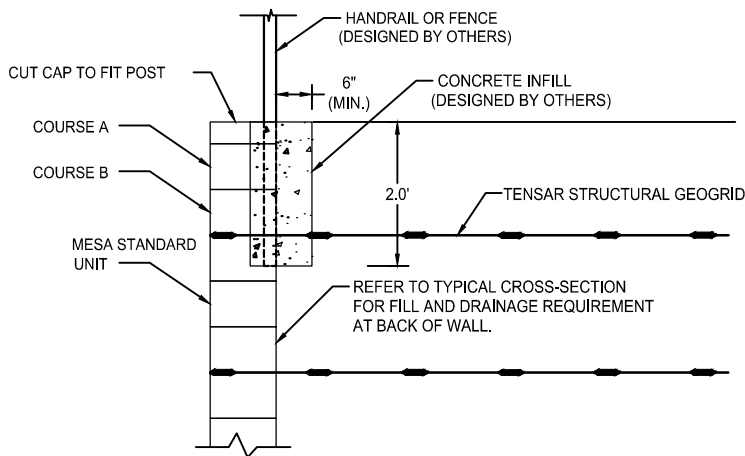


PLAN VIEW - COURSE A



PLAN VIEW - COURSE B



CROSS-SECTION

- STEP 1: PLACE AND COMPACT FILL TO BOTTOM OF HANDRAIL OR POST.
- STEP 2: PLACE TOP LAYER OF TENSAR STRUCTURAL GEOGRID AND REMAINING MESA STANDARD UNITS ABOVE IT.
- STEP 3: CUT TENSAR STRUCTURAL GEOGRID AND THEN SET HANDRAIL OR FENCE POST.
- STEP 4: FORM AND POUR CONCRETE INFILL AT TAIL OF MESA STANDARD UNITS.

### **HANDRAIL OR FENCE POST ON TOP OF WALL**

NOT TO SCALE