



Thermafiber, Inc.



Up to
90%
Recycled
Content

NEW - Thermafiber FixtureShield®



Background

- UL / ULC fire rated suspended and gypsum ceiling designs require that penetrations be protected. (IBC 2009 & 2012)
- Items such as recessed light fixtures & speaker high hats must be protected with specified materials.
- Historical protection methods include the construction of a box using fire rated ceiling tile or constructing a gypsum board enclosure.

Typical methods - Gypsum

- Double layer 5/8 gypsum board
- Time & labor intensive
- Joints & penetrations required to be fire caulked or taped and spackled

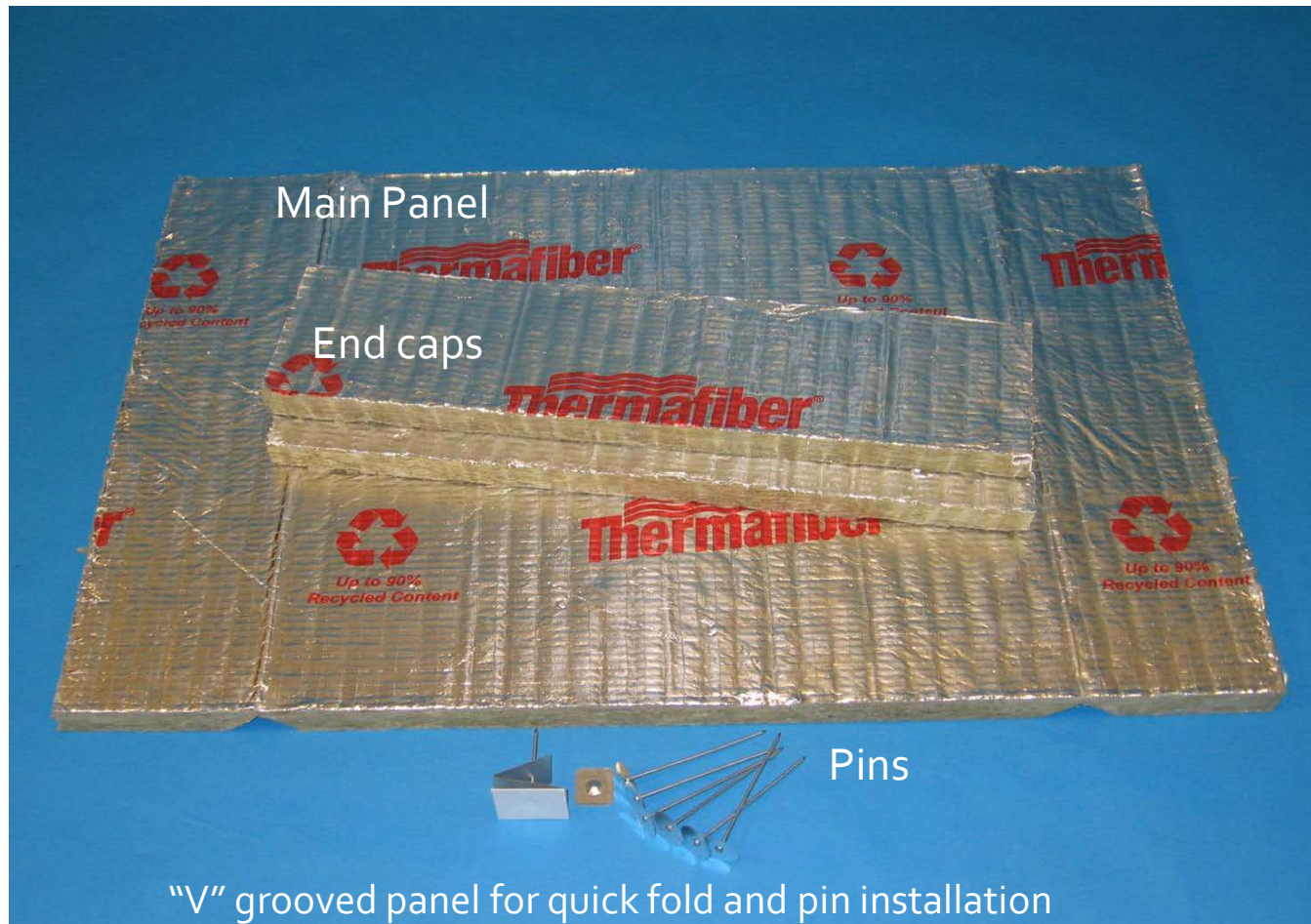


Typical methods – Ceiling Tile

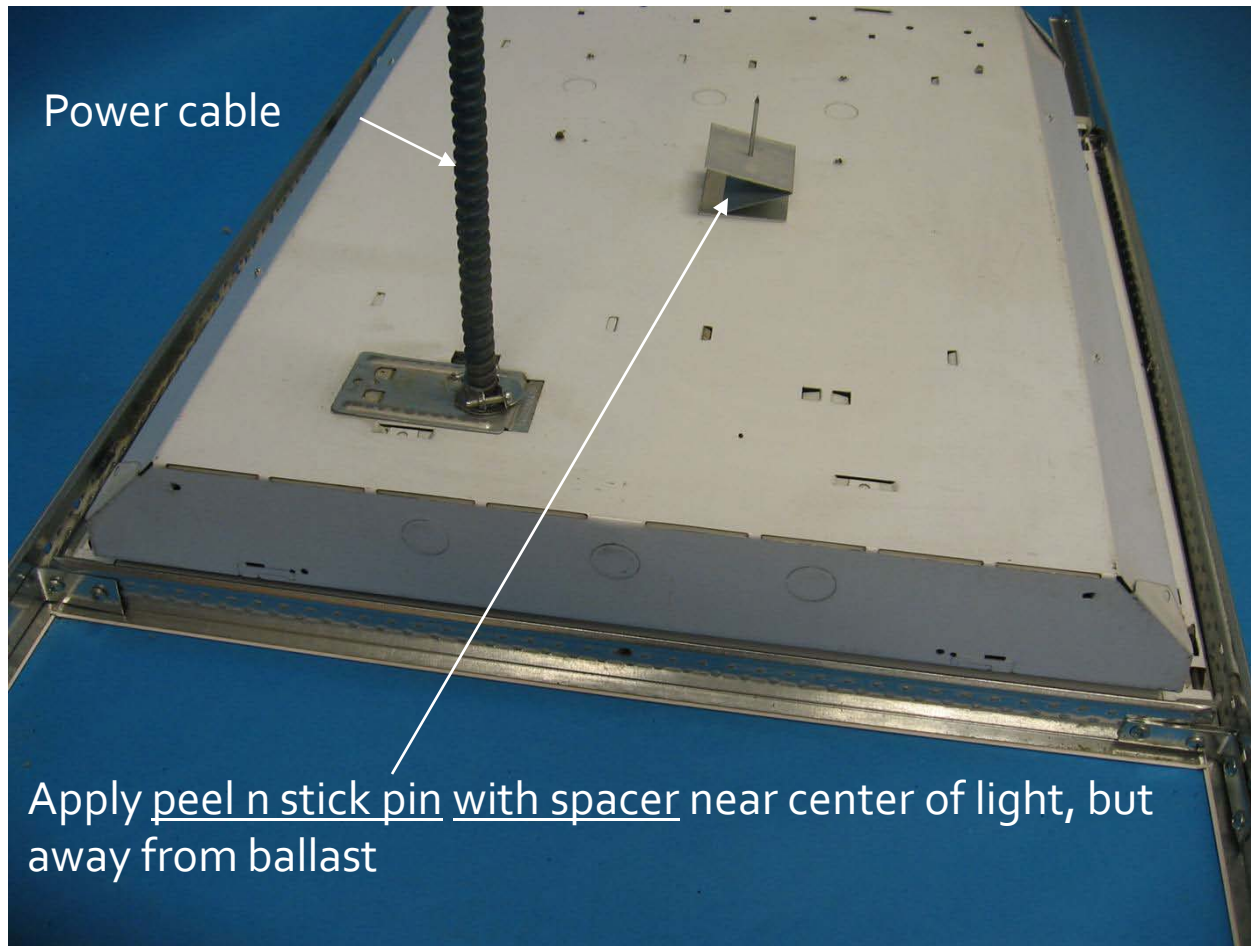
- Considerable material and labor expense is required to cut, construct and install
- Fragile
- Lack of durability
 - Known failures



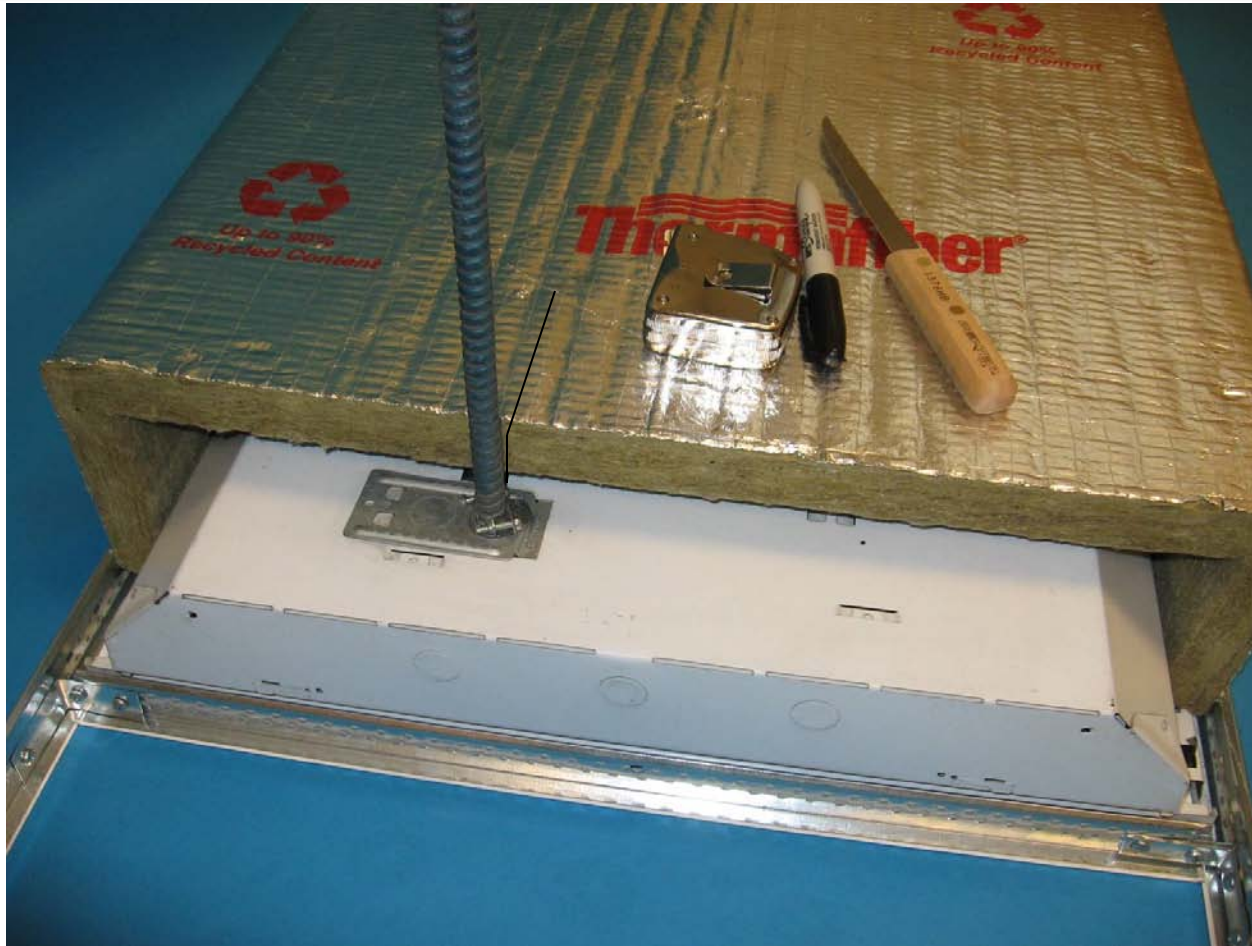
FixtureShield® Installation



FixtureShield® Installation



FixtureShield® Installation



Fold down cover side panels and position on light.
Mark cover to accept the cable.

FixtureShield® Installation



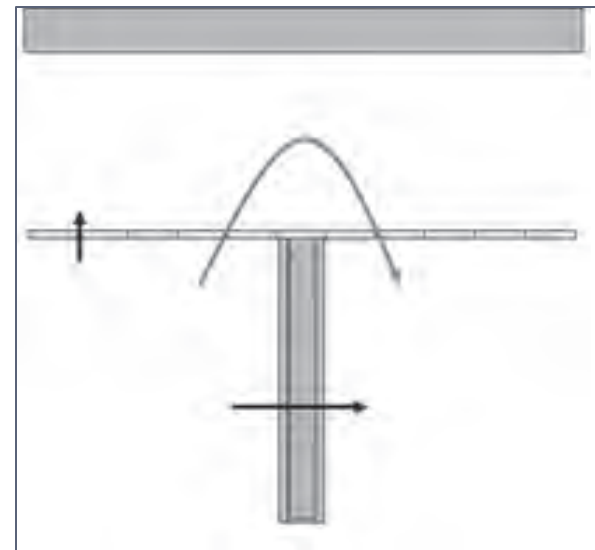
FixtureShield® Installation



End caps secured with 4.5" steel pins. Standard cover sizes have 3 pins per cap, large covers include additional pins. Contractors report installation in about 6 minutes.


FixtureShield® Benefits

- Meets code requirements
- Quick and easy to install
- Lightweight
- Patented design
- Listed in 15 UL fire-rated assemblies
- Sound control & privacy (CAC)
 - Tests show a 4 decibel improvement
- Conserves energy
 - R-Value of 5.2



FixtureShield® Custom Sizes

- Non standard lights, speakers and can light kits are available
- Fill out the RTQ Form (web) and email it to Thermafiber
- Custom quotation turnaround time: 1-2 days

|  | | Date Requested: 7/31/2012 | | | | | |
|--|-----------------|--|-------------------|---------------|---------------|--------------|-----------|
| | | FixtureShield® Quote Request Form | | | | | |
| Company Name: | | | Project Name: | | | | |
| Contact Name: | | | Ship to Location: | | | | |
| Location: | | | Email: | | | | |
| Phone: | | | Fax: | | | | |
| Fixture Type | Manufacturer | Model | IC Rated? | L (in.) | W (in.) | H (in.) | QTY |
| <i>Example: Can Light</i> | <i>Lithonia</i> | <i>L7XLED</i> | <i>Yes</i> | <i>15.000</i> | <i>13.875</i> | <i>6.875</i> | <i>18</i> |
| | | | | | | | |

