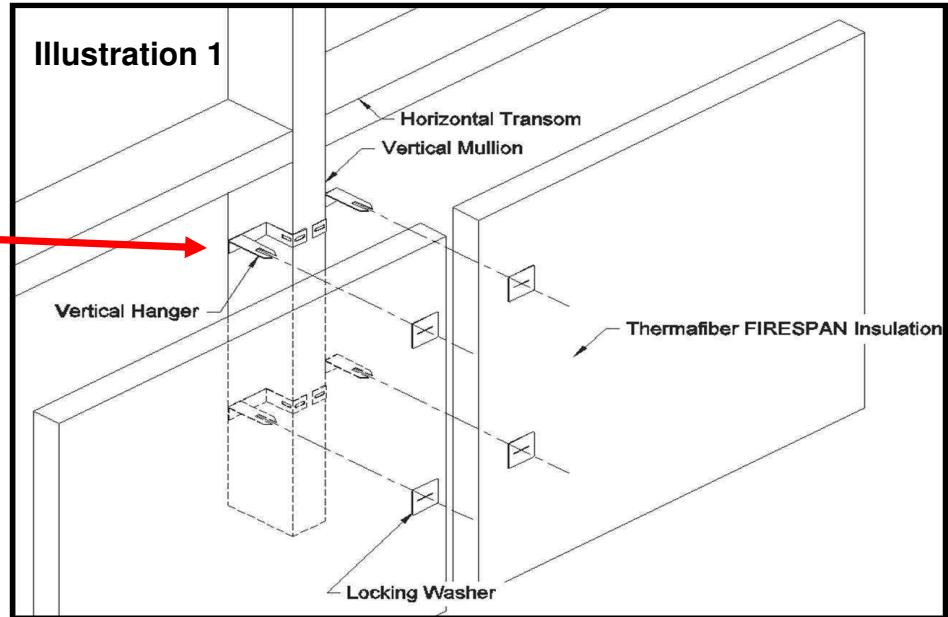
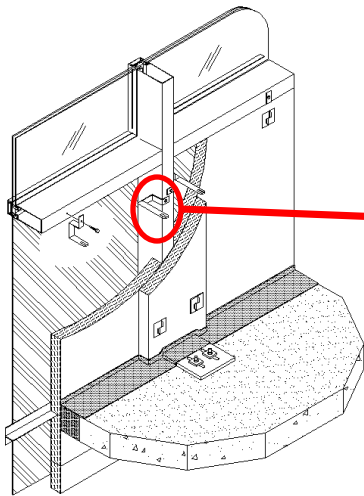
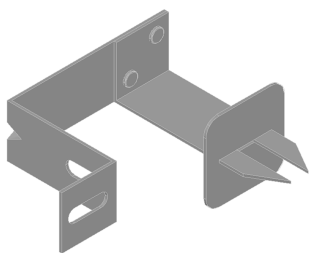




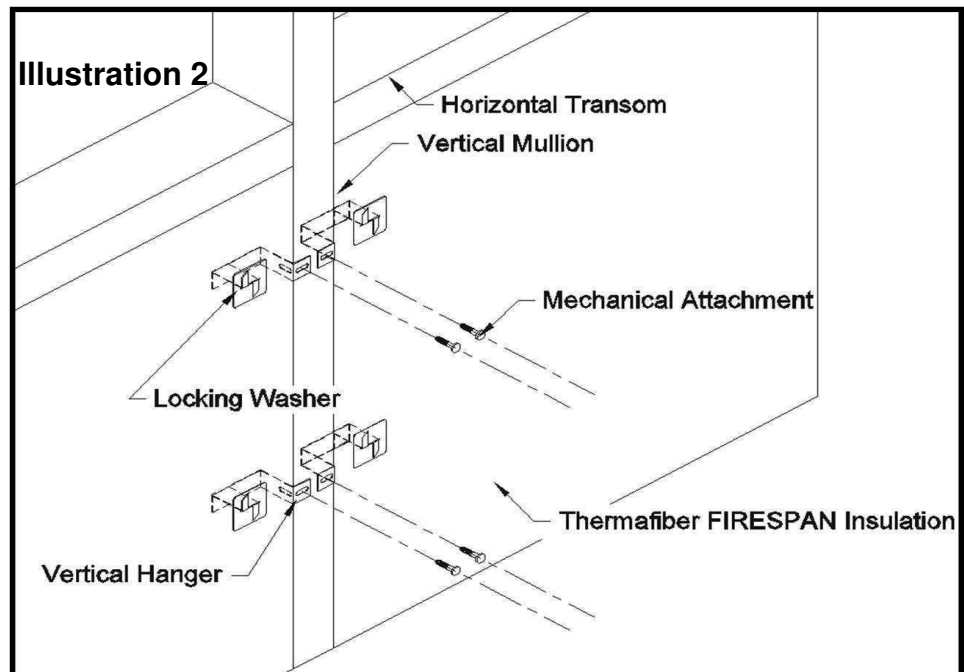
Installation Instructions- Impasse Vertical Hangers Impasse-Vertical Hanger Attachment



Vertical Hangers are pre-installed into the *Firespan Insulation* panel so that the forked leg provides a shelf-like ledge to support the insulation (Illustration 1). The *Vertical Hanger* is then attached to the vertical mullion with a No.10 self-tapping screw. A *Locking Washer* is slid over the *Vertical Hanger* to fit tight against the spandrel insulation panel. One fork is bent upward and the other fork is bent downward to tightly secure the insulation onto the hanger. See (Illustration 2).

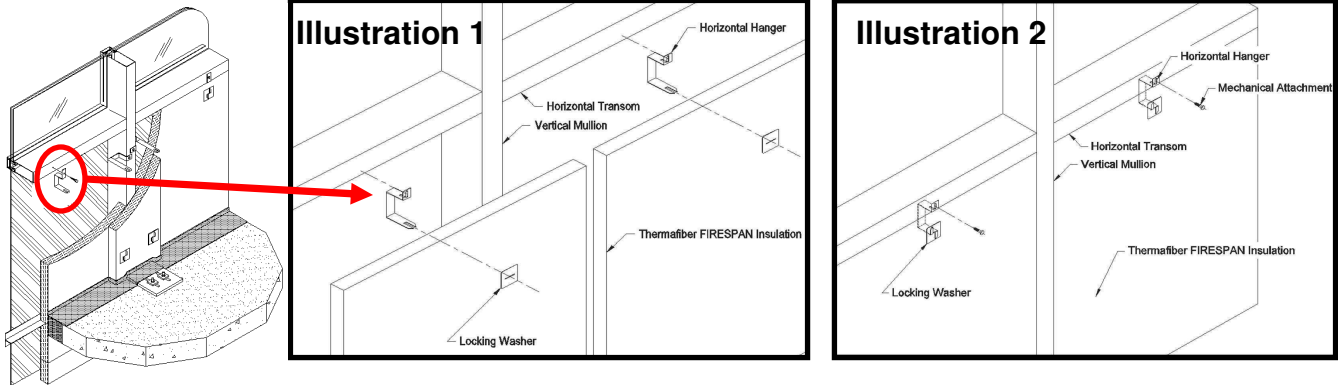


Vertical Hanger



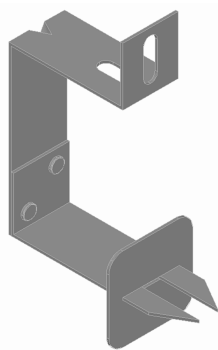


Installation Instructions- Impasse Horizontal Hangers Horizontal Hanger Attachment to horizontal transom

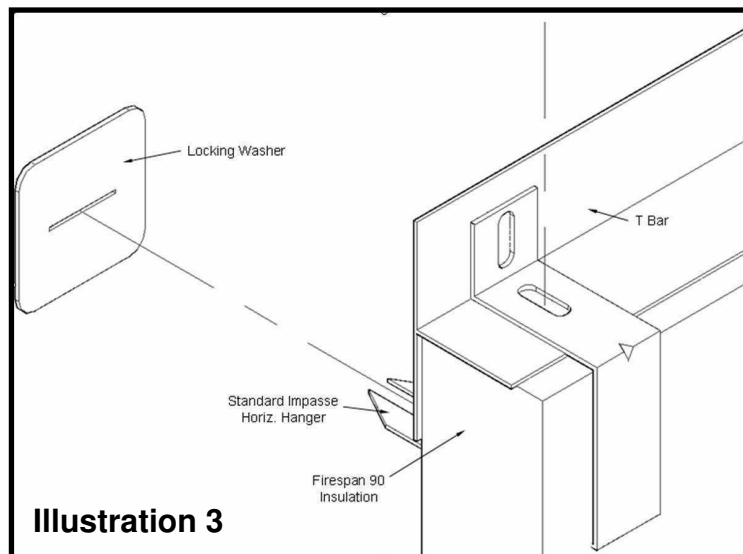


Horizontal Hangers are pre-installed into the *Firespan Insulation* panel so that the forked leg provides a shelf-like ledge to support the insulation (Illustration 1). The *Horizontal Hanger* is then attached to the horizontal transom with a No.10 self-tapping screw. A *Locking Washer* is slid over the *Horizontal Hanger* to fit tightly against the spandrel insulation panel. One fork is bent upward and the other fork is bent downward to tightly secure the insulation onto the hanger. See (Illustration 2).

Horizontal Hanger Attachment to TBAR



Horizontal Hanger

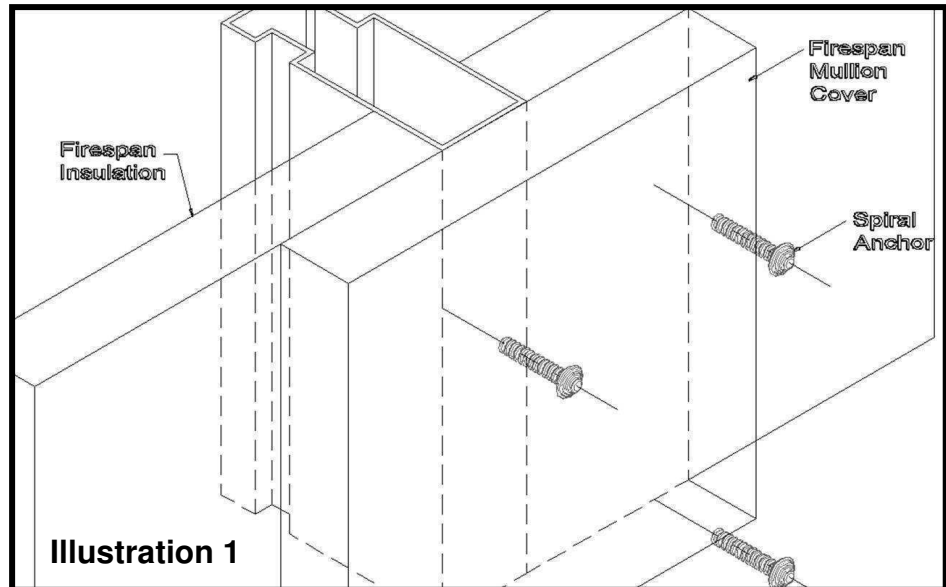


Horizontal Hangers are pre-installed into the *Firespan Insulation* panel so that the forked leg provides a shelf-like ledge to support the insulation. The *Horizontal Hanger* is then screw-attached to the TBAR stem as shown in Illustration 3.

Installation Instructions- Impasse Spiral Anchors Impasse-Spiral Anchor Attachment



Spiral Anchor



Spiral Anchors are designed for easy attachment of the *Firespan Mullion Covers* to the *Firespan Spandrel Insulation Panel*. After *Firespan Mullion Covers* are placed over exposed vertical mullions or insulation seams, *Spiral Anchors* are screwed into the *Firespan Mullion Cover* as shown in Illustration 1. For ease of installation, *Spiral Anchors* can be installed using a power drill or power screw driver with a phillips head drill bit. Drill bit fits into head of *Spiral Anchor* and is driven into the insulation. Set the clutch to prevent the spiral anchor from driving through the insulation. See Illustration 2.

