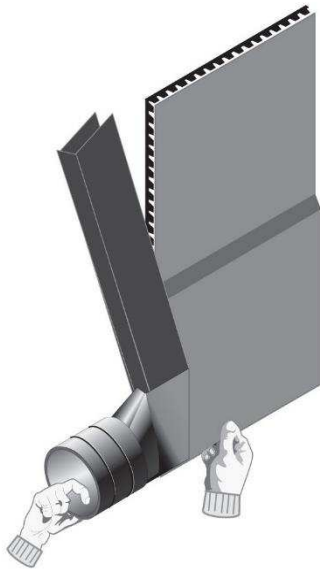


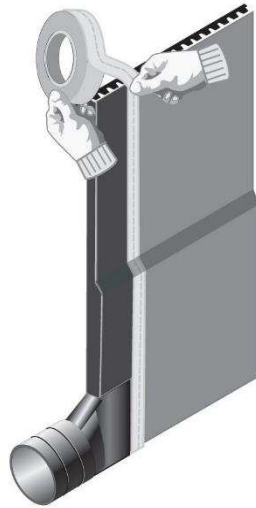
APPLICATION INSTRUCTIONS

Universal Outlet



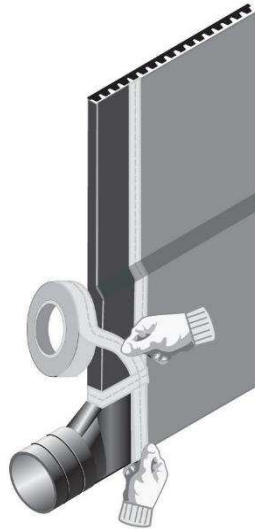
STEP # 1

Place End Outlet under end or HQ Drain with fabric facing up.



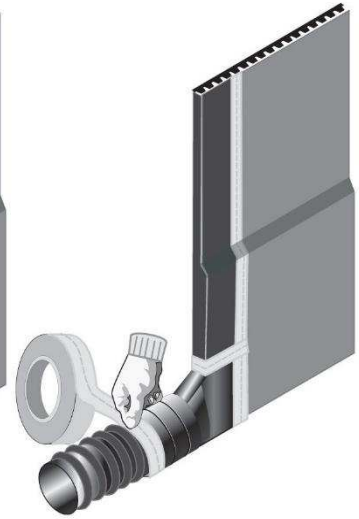
STEP # 2

Fold fabric around exposed edge of core and tape to secure.



STEP # 3

Secure all edges with Tape to prevent soil intrusion.

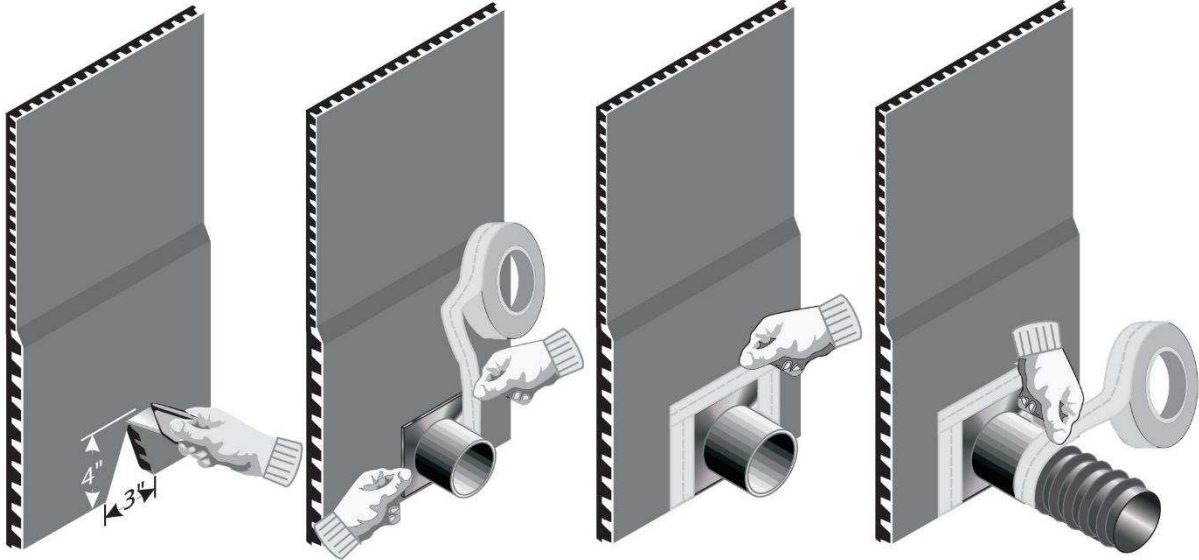


STEP # 4

Insert pipe into End Outlet and secure with tape.

APPLICATION INSTRUCTIONS

Universal Tee



STEP # 1

Using a razor knife, cut a "V" notch approximately 3" wide and 4" high in the bottom portion of the HQ Drain.

STEP # 2

Insert fitting over "V" notch and tape to secure.

STEP # 3

Make sure all edges are secured with tape to prevent soil intrusion.

STEP # 4

Insert pipe into Tee Outlet and secure with tape.

TREMDrain®
1016/TDFAAI

Please refer to our website at www.tremcosealants.com for the most up-to-date application instructions.

Tremco Commercial Sealants & Waterproofing

3735 Green Rd
Beachwood OH 44122
216.292.5000 / 800.321.7906

1451 Jacobson Ave
Ashland OH 44805
419.289.2050 / 800.321.6357

220 Wicksteed Ave
Toronto ON M4H1G7
416.421.3300 / 800.363.3213

1445 Rue de Coulomb
Boucherville QC J4B 7L8
514.521.9555

www.tremcosealants.com

