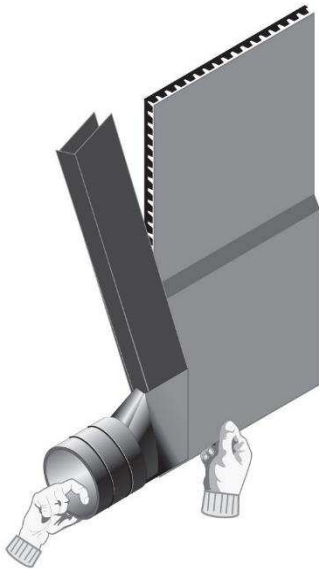


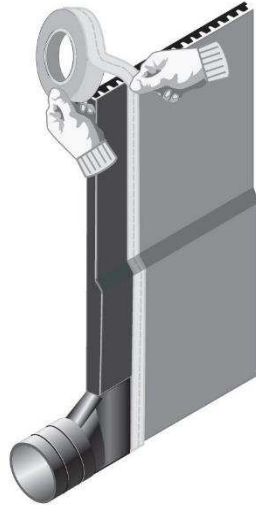
## APPLICATION INSTRUCTIONS

### Universal Outlet



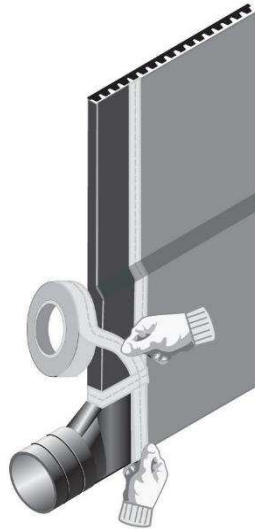
STEP # 1

Place End Outlet under end or HQ Drain with fabric facing up.



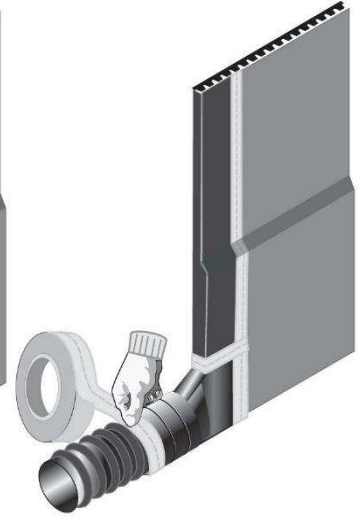
STEP # 2

Fold fabric around exposed edge of core and tape to secure.



STEP # 3

Secure all edges with Tape to prevent soil intrusion.

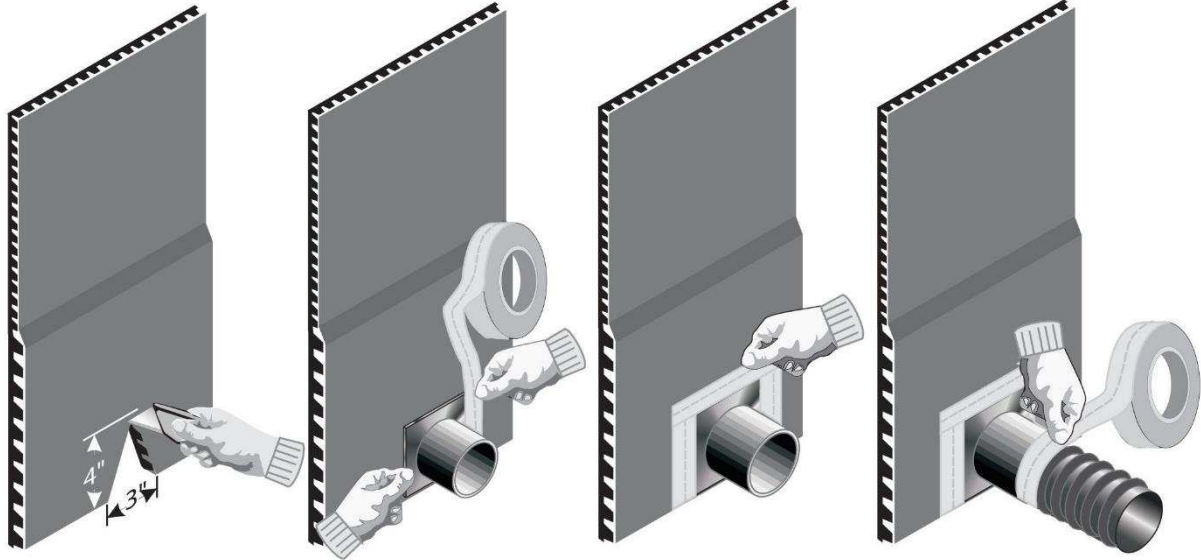


STEP # 4

Insert pipe into End Outlet and secure with tape.

## APPLICATION INSTRUCTIONS

### Universal Tee



STEP # 1

Using a razor knife, cut a "V" notch approximately 3" wide and 4" high in the bottom portion of the HQ Drain.

STEP # 2

Insert fitting over "V" notch and tape to secure.

STEP # 3

Make sure all edges are secured with tape to prevent soil intrusion.

STEP # 4

Insert pipe into Tee Outlet and secure with tape.

**TREMDrain®**  
**1016/TDFAAI**

Please refer to our website at [www.tremcosealants.com](http://www.tremcosealants.com) for the most up-to-date application instructions.

#### Tremco Commercial Sealants & Waterproofing

3735 Green Rd  
Beachwood OH 44122  
216.292.5000 / 800.321.7906

1451 Jacobson Ave  
Ashland OH 44805  
419.289.2050 / 800.321.6357

220 Wicksteed Ave  
Toronto ON M4H1G7  
416.421.3300 / 800.363.3213

1445 Rue de Coulomb  
Boucherville QC J4B 7L8  
514.521.9555

[www.tremcosealants.com](http://www.tremcosealants.com)

