

POWERply

POWERply® Installation Manual



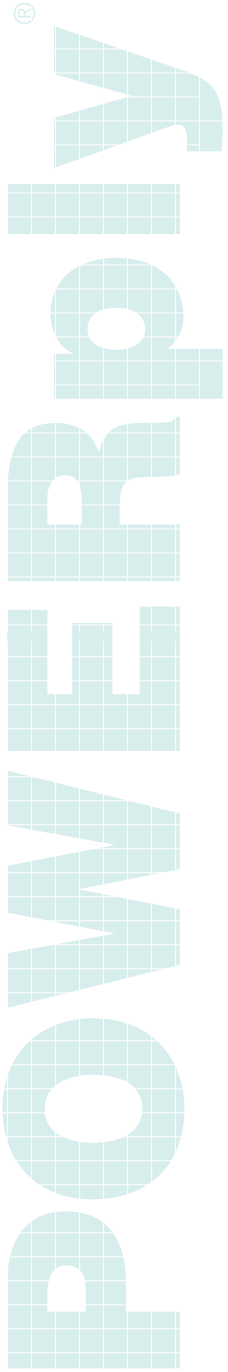


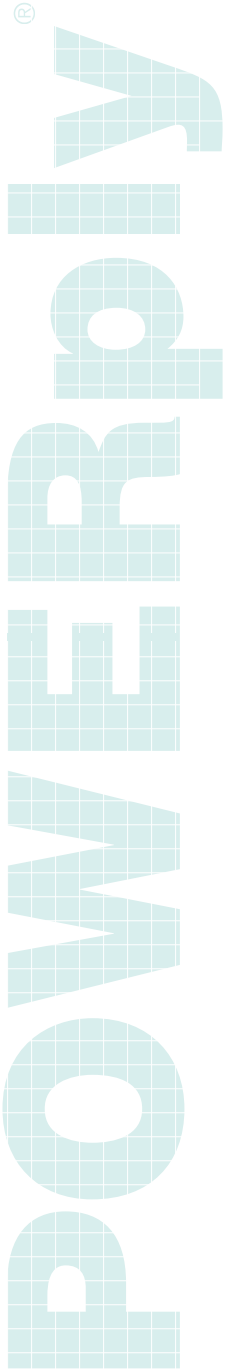
TABLE OF CONTENTS

Introduction	1
POWERply Membrane Products	2
Membrane Configurations	2-5
General Requirements	6-12
Decks	6
Vapor Retarder/Air Barrier	6-7
Roof Insulation	7-8
Insulation Attachment	7-11
Backnailing for High Slope	12
Spray Equipment	13-19
Pumps	13-15
Heat Exchange Units	16
Spray Tips	17-19
Weighted roller	20
Heat Welding Equipment	21
Cold Weather Storage & Application Recommendations	22-23
Hot Bitumen Application	24-25
Torch Application	26
Cold Process Application	27-28
POWERply Endure BIO Adhesive	29-31
POWERply Self Adhesive Application	32-33
Flashings	34-40
Heat Welding Procedure	41-43
MB Blister: Cold Adhesive Repair	44
MB Blister: Torch Repair	45
Seam Repair	46
Detail Drawings	47-52

COPYRIGHT

This document contains information that is protected by copyright. Neither extracts nor the documentation as a whole may be photocopied, reproduced, translated, or put into data carriers without prior approval.





INTRODUCTION - POWERply® INSTALLATION MANUAL

The POWERply Modified Bitumen system is designed for use on low slope exterior roof structures in North America. POWERply membranes are formulated from select asphalt bituminous blends, various polymer modifiers, fire resistant additives, and highly engineered reinforcing fabrics to comprise a product system designed to provide years of durable rooftop exposure and watertight performance.

POWERply membranes are modified with SBA (styrene-butadiene-styrene) rubber and blended with select grades of asphalt to provide improved bitumen performance characteristics, such as low temp flexibility, long term waterproofing, and overall durability. POWERply membranes are also available in formulations modified with APP (atactic polypropylene), which provides excellent bitumen performance in high temperature applications and installations where heat welding of the membrane is required.

POWERply roof systems are primarily constructed using multi-ply bituminous membranes, consisting of a cap sheet which provides the first line of protection from the weathering elements, such as rain, snow, sunlight, and abrasion from foot traffic and windborne elements. Below the surface, the POWERply system is constructed from a wide variety of additional components, such as base sheets, adhesives (hot or cold applied), insulation courses, flashings, and other fastening accessories. POWERply roof systems may also be finished with a variety of coatings and surfacings, such as reflective acrylic or urethane polymeric coatings, or additional surfacing adhesive and aggregate surfacing.

The POWERply roof system is designed to provide not only the maximum protection from the weather, but also to provide the following features:

- Excellent service life
- Moisture resistance
- System Strength to resist effects of movement
- Fire resistance
- Windstorm resistance
- Energy efficiency/thermal insulation & solar reflectance
- Resistance to roof traffic & other conditions

Tremco Roofing's local field representatives will work with the roof designer/specifier to optimize the roof system based on the unique set of conditions presented by each building structure and its geographic location. The Tremco Representative is highly trained and experienced in evaluating rooftop conditions and solving unique problems using the wide variety of diagnostic tools and product knowledge, to deliver unique product solutions.



POWERPLY ROOF SYSTEMS – DESIGN & SPECIFICATION

POWERply roof systems are constructed from at least two plies, and may be constructed from 3 or more, depending on the design criteria. Generally, the specified POWERply top membrane identifies the roof system, while the underlying membrane plies and membrane attachment materials are selected based on system design criteria. Approved Tremco system configurations are defined as product combinations which have been designated by Tremco as compatible system components and have been tested according to Tremco and roofing industry standards and determined to exceed minimum performance standards.

POWERply Top Membranes

The POWERply granule surfaced membranes listed in the following chart are SBS modified and manufactured per the designated ASTM industry standard. These granule surfaced membranes are used as top membranes in approved Tremco system configurations. All of the following membranes in this chart are suitable for application in cold process adhesives and hot applied bitumen, unless otherwise noted:

SBS Membranes – Granule surfaced	SQ/roll	ASTM Spec
POWERply Standard	1	D6163, Type I
POWERply Standard FR	1	D6163, Type I
POWERply Standard FR GT24W	1	D6163, Type I
POWERply Plus HT FR	1	D6163, Type III
POWERply HE FR Plus	1	D6164, Type II
POWERply 300 FR	1	D6162, Type III
POWERply Premium FR*	1	D6162, Type III

**cold process application only*

POWERply Smooth Membranes

The POWERply Smooth membranes listed in the following chart are SBS modified and manufactured per the designated ASTM industry standard. All of the following membranes in this chart may be applied as top membranes with flood and gravel surfacing in approved Tremco system configurations, and may also be used as either intermediate and/or base membranes in approved Tremco system configurations. These membranes are also suitable for application in cold process adhesives and hot applied bitumen, unless otherwise noted:

SBS Membranes - Smooth	SQ/roll	ASTM Spec
POWERply Standard Smooth	1.5	D6163, Type I
POWERply Plus HT Smooth	1.5	D6163, Type III
POWERply HE Smooth	1.5	ASTM D6164, Type I
POWERply 300 Smooth	1.5	D6162, Type III
POWERply Premium Smooth	1.5	D6162, Type III

Base Plies for POWERply Systems

The base plies listed in the following chart are suitable for use as base or intermediate plies in approved Tremco system configurations. Base plies are ideally installed in a minimum 2 ply configuration to provide maximum moisture resistance and system strength. These membranes are also suitable for application in cold process adhesives and hot applied bitumen, unless otherwise noted:

Base Ply	SQ/roll	ASTM/Type	
THERMglass Type IV**	5	D2178, Type IV	
THERMglass Premium VI**	5	D2178, Type VI	
BURmastic Composite Ply HT	2	SBS, trilaminate	D4601, Type II
BURmastic Premium Composite Ply	2	SBS, trilaminate	D4601, Type II
BURmastic Composite Ply Supreme	2	SBS, trilaminate	D4601, Type II

**hot applied only

POWERply Torch-Applied Membranes

The POWERply membranes listed in the following chart are suitable for use as components in the following specialty applications:

- Torch Applied SBS Modified Membranes
- Torch Applied APP Modified Membranes

These membranes are suitable for use in approved Tremco roof system configurations and in combinations and systems designated by Tremco.

Specialty - Granule Surfaced	Type	SQ/roll	ASTM Spec
POWERply Standard FR GT24 HW	SBS torchable	1	D6163, Type I
POWERply Standard FR HW	SBS torchable	1	D6163, Type I
POWERply SBS Deluxe FR	SBS torchable	1	D6162, Type III
POWERply APP FR	APP torchable	1	D6222, Type I

Specialty - Smooth Surfaced	Type	SQ/roll	ASTM Spec
POWERply Standard Smooth HW	Self Adhesive	2	D6163, Type I
POWERply SBS Base HW	SBS torchable	1	D6162, Type III
POWERply APP Base Sheet	SBS torchable	1.5	D6509
POWERply APP Smooth	APP torchable	1	D6222, Type I

POWERply Cold Applied Adhesives

The cold process membrane adhesives listed in the following chart are suitable for use in approved POWERply roof system configurations using coverage rates and application procedures recommended by Tremco.

Membrane Adhesive	Grade	Rubber modifier
POWERply Standard Cold Adhesive	Spray/Squeegee	None
POWERply Rubberized Cold Adhesive	Spray/Squeegee	SBS modified

Membrane Adhesive	Grade	Rubber modifier
POWERply Endure™ BIO Adhesive	Spray/Squeegee/Roller	2 Component urethane
BURmastic Adhesive SF	Squeegee only	Solvent free urethane

POWERply Hot Applied Adhesives

The hot applied bituminous adhesives listed in the following chart are suitable for use in approved POWERply roof system configurations using coverage rates and application procedures recommended by Tremco.

Membrane Adhesive	EVT	ASTM/Type
Premium IV Asphalt	450±25F	D312, Type IV

SEBS Modified Asphalt	Elongation	ASTM
THERMastic 80 Adhesive	800%	D6152
THERMastic Adhesive	1000%	D6152

Qualified Roof System Membrane Configurations



The following lists provide examples of approved POWERply roof membrane system combinations. These lists are not intended to be a comprehensive list of all POWERply systems approved and offered by Tremco. Substrate considerations, such as insulation selection, attachment, and deck type must also be considered when developing a roof system to meet all applicable building codes.

Cold Process Membrane Systems - Examples

Base Membrane(s)	Top Membrane	Adhesive Type
2 ply Composite Ply HT	Any POWERply Granule Membrane*	Any POWERply Adhesive or BURmastic Adhesive SF
3 ply Composite Ply HT	Any POWERply Granule Membrane*	Any POWERply Adhesive or BURmastic Adhesive SF
2 ply Premium Composite Ply	Any POWERply Granule Membrane*	Any POWERply Adhesive or BURmastic Adhesive SF
2 ply Composite Ply Supreme	Any POWERply Granule Membrane*	Any POWERply Adhesive or BURmastic Adhesive SF
POWERply Heavy Duty Base	Any POWERply Granule Membrane*	Any POWERply Adhesive or BURmastic Adhesive SF
POWERply HE Smooth	Any POWERply Granule Membrane*	Any POWERply Adhesive or BURmastic Adhesive SF
POWERply 300 Smooth	Any POWERply Granule Membrane*	Any POWERply Adhesive or BURmastic Adhesive SF
2 ply THERMglass in hot	Any POWERply Granule Membrane*	Any POWERply Adhesive or BURmastic Adhesive SF

*POWERply Smooth Membranes are acceptable when aggregate surfacing is applied in an approved cold adhesive.

Hot Applied Membrane Systems - Examples

Base Membrane(s)	Top Membrane	Adhesive Type
2 ply THERMglass in hot	Any POWERply Granule Membrane*,**	Premium IV Asphalt or THERMastic
3 ply THERMglass in hot	Any POWERply Granule Membrane*,**	Premium IV Asphalt or THERMastic
POWERply Heavy Duty Base	Any POWERply Granule Membrane**	Premium IV Asphalt or THERMastic
POWERply HE Smooth	Any POWERply Granule Membrane**	Premium IV Asphalt or THERMastic
POWERply 300 Smooth	Any POWERply Granule Membrane**	Premium IV Asphalt or THERMastic

*POWERply Premium FR is not approved for application in hot asphalt as a top membrane.

**POWERply Smooth Membranes are acceptable when aggregate surfacing is applied in an approved hot or cold adhesive.

Torch Applied Membrane Systems - Examples

Base Membrane(s)	Top Membrane
1 or 2 ply POWERply Standard Smooth HW	Any POWERply Granule HW Membrane
1 or 2 ply POWERply SBS Base HW	Any POWERply Granule HW Membrane
1 or 2 ply POWERply APP Base	POWERply APP FR
1 or 2 ply POWERply APP Smooth	POWERply APP FR

GENERAL REQUIREMENTS

Roof Decks

Decking must be designed and constructed to provide sufficient support for anticipated loads without excessive deflection or movement. Provisions for expansion and contraction shall be incorporated into the design. The deck shall be constructed according to the deck manufacturer's or design professional's specifications, following established practices, which includes attachment to the structural supports for the building.

Tremco takes responsibility for providing quality materials and for specifications and recommendations for their proper installation. As neither Tremco nor its representatives practice architecture or engineering, Tremco offers no opinion, and expressly disclaims any responsibility for the soundness of any structure on which its products may be applied.

If questions arise as to the soundness of a structure or its ability to properly support a planned installation, the owner should obtain the opinions of competent structural engineers before proceeding. Tremco accepts no liability for any structural failure or for resultant damages. Tremco Representatives are not authorized to vary this disclaimer.

Decking shall be designed to provide positive drainage toward roof edges or drains. Tremco POWERply MB systems require a minimum slope of ¼" per foot. If the deck does not meet this minimum slope requirement, slope may be increased through the use of tapered insulation or a Tremco approved lightweight insulated concrete system (LWIC) prior to installation of POWERply MB roof systems.

Certain roof decks may require the use of specific fastener designs in order to achieve acceptable attachment strength. Please contact your local Tremco Representative for information on approved fastener brands approved for use on specific roof deck types.

Vapor Retarder/Air Barrier

A vapor retarder and/or air barrier assembly may be specified to improve energy efficiency for the building. This air/vapor membrane is intended to tie-in with other vapor retarder /air barrier assemblies within other parts of the structure, such as the walls. In addition, a vapor retarder may be required if the building is located in a cold weather climate, or where the wintertime relative humidity is considerably higher, possibly due to processes or activities in the building which generate heat and moisture. Closely coordinate the proper tie-in of these related vapor and air barrier components under the direction of the Architect/Engineer and with other trades.

A vapor retarder assembly is typically applied on the top of a low slope roof deck. The best design practice is to avoid the use of fasteners through the vapor barrier, as any breach of the vapor retarder may allow air/vapor leakage. All deck penetrations and perimeter edge terminations must be sealed to prevent vapor leakage at these critical areas. The following Tremco recommendations apply to vapor retarder construction based on the roof deck type:

Deck Type	Tremco Recommended Vapor Retarder/Barrier Configuration
Steel	<ul style="list-style-type: none"> • Ply sheet vapor retarders adhered in hot or cold asphalt adhesive over gypsum or wood fiber roof board • Tremco AVC self adhesive membrane direct to primed deck • Loose laid polyethylene (10 mil minimum)
Concrete	Vapor retarder is fully adhered directly to deck, provided the concrete deck is clean, dry, and primed with compatible primer.
Nailable Deck – Gypsum, Wood, LWIC Cementitious Wood Fiber	Mechanically attach D4601, Type II base sheet and fully adhere vapor retarder in hot or cold asphalt adhesive.

Acceptable vapor retarder membranes consist of the following Tremco products or commercially available materials:

Vapor Retarder/Barrier	Application
Tremco AVC Membrane	Prime substrate & apply direct to deck
2 ply THERMglass (D2178, Type IV/VI)	Apply to substrate in hot adhesive
BURmastic Composite Ply HT	Apply to substrate in cold adhesive
Polyethylene (10 mil)	Loose laid on deck under insulation, w/ side laps and end laps taped.

Roof Insulation

Roof insulation boards provide several benefits within a roof assembly:

- Improved energy efficiency of the building.
- Performs as a consistent substrate for the POWERply MB roof system.
- Separates dissimilar materials.
- When tapered, improves drainage from the POWERply MB surface.

When roof insulation is used as part of a POWERply roof system, it must be manufactured for use as a roof insulation and be approved by Factory Mutual and Underwriters Laboratories for use in the POWERply roof system. Roof insulations are measured by R-value, and the R-value required for a building with interior conditioned air is prescribed in the International Energy Conservation Code, with the applicable version of the code adopted at the state or municipal level.

The International Code Council (ICC) requires roof systems meet minimum criteria for wind uplift resistance, as referenced in the ASCE/SEI 7 Standard. Roof system manufacturers test and obtain wind resistance certifications for their product system assemblies according to this standard. These certifications are offered by organizations such as FM Approvals, Underwriters Laboratories, Miami-Dade County, and ICC-ES Approved test labs, using testing standards outlined in Chapter 15 of The International Building Code. These certifications specify the roof insulation attachment products and procedures, such as coverage rates of adhesive brands and the fastener attachment patterns.

Insulation attachment for a roof system will vary based on a variety of factors, such as type of structure, geographic location of the structure, height off the ground of the roof, and situation of the building near the coast or in special wind zones. The Tremco Field Representative works with the building owner and/or the Architect/Engineer to specify insulation attachment in compliance with local building code requirements. Please refer to Tremco project specifications for these requirements. If there are any questions regarding the insulation configuration and attachment for use in conjunction with the POWERply roof system, please contact the local Tremco Field Representative for further information.

Acceptable Insulations

The following insulations are acceptable for use in approved Tremco roof system configurations in combinations and systems designated by Tremco.

Insulation Type	ASTM Spec
Polyisocyanurate	D1289
Mineral Fiber (Rockwool)	C726
Wood Fiber	C208
Fiber Reinforced Gypsum (Securock)	C1278
Glass Mat Reinforced Gypsum (Dens-Deck)	C1177

Insulation Attachment Methods

Insulation systems may be secured to the structural deck using a variety of attachments and application methods:

- Mechanically attached, with fasteners and stress plates
- Cold applied liquid or foam adhesives
- Hot applied bituminous adhesives

Mechanically Attached Insulation

A common specification is to secure the first layer of roof insulation to a steel deck using a fastener and plate. This practice was implemented in the early 1980's by the Factory Mutual Global (FMG), a commercial insurance underwriter, and is required for their client's buildings. FMG faced numerous insurance losses where hot bitumen had been used to adhere insulation to steel decks on commercial structures. In the event of an internal fire, the bitumen liquefies and feeds the fire, leading to a tremendous loss history. In addition, FMG experienced losses due to poor choices in adhesives and due to unacceptable application practices. Due to this loss history, FMG created a new policy requiring the first layer of insulation must be mechanically attached to steel roof decks when installing roofs on their insured client's buildings.

Due to the success of this policy in reducing wind and fire loss, this practice has been adopted by numerous roofing industry specifiers. Today, even though there are now insulation adhesives on the market which exceed code requirements for internal combustion and for wind uplift, mechanical attachment of the first layer of insulation on steel decks remains the predominate method of application.

Fasteners and stress plates are designed to be used in combination with each other. Do not mix fasteners and discs of different brands, unless the combination has been tested and approved by a code compliant testing organization.

When installing fastener and stress plate assemblies, fasteners must be driven perpendicular to the deck. Do not overdrive the fastener to over-compress the insulation board. Overdriving may lead to fracturing of the insulation and the attachment may be compromised. When properly installed, the fastener and stress plate assembly are driven tight enough so the disc will not turn when installed.

For wood roof decks, screw fasteners must penetrate 1" minimum into the deck. For ¾" plywood, approximately ¼" shall extend through the underside of the deck.

For steel decks, the screw fastener must engage the top flange of the deck, and not the flute or bottom corrugation. This ensures tight fastener attachment without a gap, which could contribute to fastener backout over time. For steel decks, use the shortest screw which is at least ¾" longer than the assembly being secured.

Please refer to Tremco detail drawing section for additional recommendations regarding fastener placement locations on roof insulation boards.

Insulation Adhesives

Tremco provides liquid and foam adhesives suitable for use under the POWERply MB roof system. These adhesives are designed to adhere acceptable roof insulation boards to approved roof substrates, such as concrete, steel, gypsum, lightweight insulating concrete, mechanically attached base sheets, and insulation boards.

Fas-n-FREE Adhesive is a liquid applied, pourable, bituminous, solvent free and moisture cure urethane adhesive. Fas-n-FREE Adhesive is applied in beads to the roof substrate using a drop spreader cart which applies the beads within 6" of the insulation board edge and in a pattern through the middle of the insulation board. The insulation board must be stepped into place immediately after application, assuring the board is pressed into the beads and contacts the roof substrate.

Low Rise Foam Insulation Adhesive describes a family of foamable, 2 component, solvent free and urethane adhesive products. Low Rise Foam Insulation Adhesive products are applied in beads to the roof substrate, using either a handheld cartridge gun or using a bulk bag pump cart application tool. After application, the adhesive beads require a few minutes to rise and develop tack, and then the insulation boards are dropped onto the beads and stepped into place.

Please review Tremco product literature for more information on application and performance of the Tremco brand insulation adhesive products.

Hot applied Asphalt

Hot asphalt is a traditional insulation adhesive and is acceptable for use to adhere insulation in approved

POWERply roof systems. Hot asphalt is acceptable for use to adhere insulation to approved roof substrates, such as concrete, mechanically attached base sheets, and insulation boards. Tremco offers products such as Premium III asphalt and Premium IV Asphalt, which are acceptable for use as hot applied insulation adhesive.

For application as an insulation adhesive, apply hot asphalt to the substrate in a full coverage at a rate of 30 lbs/SQ. Asphalt can be applied either by mop or by an applicator cart, at its recommended EVT (equiviscuous temperature) range for the type of asphalt, and no lower than 400F. Immediately place the insulation boards into the hot asphalt and step into place, assuring the corners of each board are solidly adhered.

Hot asphalt has the well earned reputation of providing the highest adhesive bond strength in the roofing industry. However, it has a high potential for odor concerns, which must be considered when specifying this material for use in a reroofing application where the building may be occupied and in service. There are fume management equipment and odor masking technologies available for use which may help to alleviate these concerns during the roof project.

Insulation Considerations

Where insulation is specified with a POWERply roof system, a minimum of two (2) layers are required for systems over steel roof decks, due to the ability of two layers to alleviate deck movement and prevent the roof membrane from picture framing directly over the insulation board panels.

On substrates other than steel decks, a minimum of two (2) layers of insulation are recommended.

Unless otherwise specified, a coverboard is required under all POWERply insulated roof systems. Acceptable coverboards are either wood fiber or gypsum roof boards. Coverboards provide a protective substrate for the roof membrane and help resist damage from traffic, hail, falling objects, etc.

Tremco recommends adhering the coverboard in POWERply roof systems rather than mechanical attachment for the following reasons:

- Eliminate the occurrence of thermal bridging from the interior of the building to the exterior membrane, which provides a path for heat energy through the roof insulation system and reduces thermal efficiency
- Eliminates a fastener head point and stress plate on the underside of the roof membrane, where this uneven surface could lead to an adhesion loss or inconsistency at this point.

POWERply systems shall not be fully adhered directly to polyisocyanurate insulation, unless a coverboard is adhered over the polyisocyanurate insulation first.

Do not apply POWERply systems over wet insulation. Wet insulation must be removed from the roof system and replaced with dry insulation boards.

The following chart describes the Tremco approved substrate preparation and insulation attachment based on roof deck type.

Deck Type	Acceptable Substrate for Insulation Attachment
Steel	Mechanically attach first layer; adhere subsequent layers
Concrete	Prime w/ Asphalt Primer; adhere insulation layers

Deck Type	Acceptable Substrate for Insulation Attachment
Wood/plywood	Mechanically attach rosin and D4601, Type II base sheet (note: mechanically attached gypsum roof board recommended)
Tectum	Mechanically attach D4601, Type II base sheet
LWIC*	Mechanically attach D4897, Type II venting base sheet
Gypsum Poured	Mechanically attach D4897, Type II venting base sheet
Gypsum Plank	Mechanically attach or adhere insulation, based on density. Contact local Tremco Field Representative for additional info.

*Lightweight Insulating Concrete

Installation Procedures – Roof Insulation

1. Coordinate installation of POWERply roof system components so insulation is not exposed to precipitation or left exposed at the end of the workday.
2. Install base sheet if specified and mechanically attach to substrate.
3. Install wood nailers as specified to match insulation and cricket height at perimeters.
4. Install insulation with long joints of insulation in continuous straight line with end joints staggered between rows, abutting edges and ends between boards and secure as specified Fill gaps exceeding ¼ inch with insulation.
 - a. Cut and fit insulation within ¼ inch of nailers, projections, and penetrations.
5. Install additional layer(s) of insulation, taper, crickets, and coverboard over previously applied insulation layer with long joints in continuous straight lines with end joints staggered between rows. Stagger joints from those in previously installed layer(s) a minimum of six (6) inches in each direction.
6. Trim surface of insulation where necessary at roof drains so completed surface is flush and does not restrict the flow of water.
7. Install and secure preformed 45-degree cant strips at junctures of POWERply roof membranes with vertical surfaces or angle changes greater than 45-degrees.
8. Install tapered edge strips at perimeter edges of roof that do not terminate at vertical surfaces.

Insulation Stops for High Slope Applications

For installations at roof slopes greater than 2:12 where the insulation courses are adhered, Insulation Stops shall be mechanically attached to the roof deck. The purpose of Insulation Stops is to prevent slippage of adhered insulation when installed at high slopes.

For roof slopes less than 2:12, Insulation Stops are not required. For roof slopes between 2:12 and 3:12,

Insulation Stops are required every twenty (20) feet in a direction perpendicular to the slope. For roof slopes greater than 3:12, Insulation Stops are required every four (4) feet in a direction perpendicular to the slope.

Backnailing for High Slope Applications

Low slope fully adhered roof membranes or plies may have a tendency to slump or sag when installed on slopes above 2:12. Even though a roofing adhesive may be acceptable for use in a roof system on high slopes, the weight of the membrane or ply could potentially overcome the adhesive bond and lead to slippage, especially at high temperatures and/or excessively high slopes.

Minimize the potential for membrane slippage on high slopes:

- Run the roof membrane in the same direction as the slope (parallel to the slope, not perpendicular to the slope). Topnail the roof membrane at the peak of the slope and cover the fasteners with a cap ply.
- Certain membrane reinforcements have sufficient strength to allow for topnailing so one can avoid nailing in the middle of the membrane run.
- Plan the membrane installation to take advantage of the full length of the membrane. Avoid end laps in the middle of a run from peak to valley (or eave). When an end lap must occur, make sure it aligns over an insulation stop so the new ply can be nailed.
- Be aware of issues that may occur with adhesives. For example, softening point fallback can occur when hot asphalt is overheated in the kettle for extended periods of time. Fallback can lead to slippage issues of roofing plies and membranes which are adhered in hot asphalt that has been affected by this condition.

Backnailing for roof slopes between 2:12 (16.6%) and 3:12 (25%):

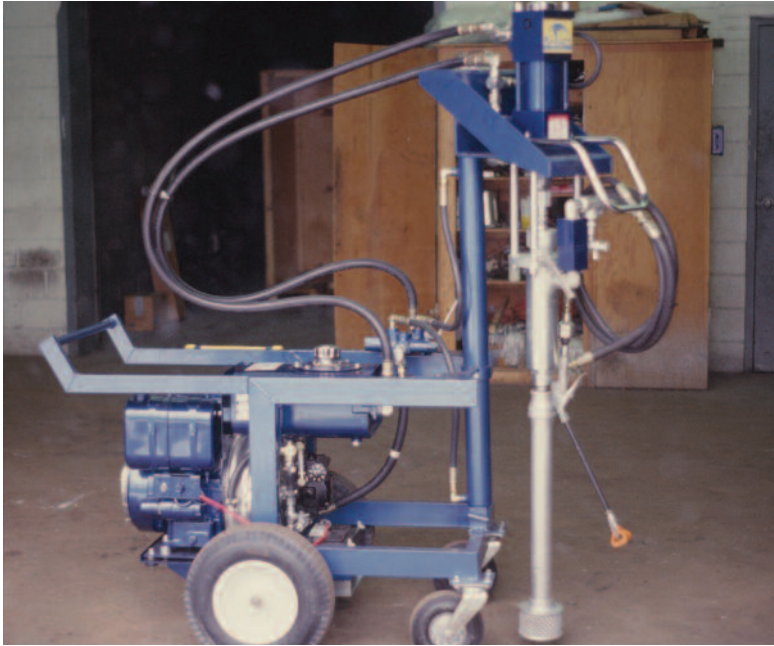
- Mechanically attach wood blocking as an insulation stop to the deck 20' (6m) on center perpendicular to the slope.
- Apply roof membrane parallel to the slope
- During application, backnail each roofing ply to the wood blocking staggered 3 inch (75 mm) on center on the back edge of the ply (the section covered by the overlapping ply).
- Fasteners shall be covered by a minimum of two plies.

Backnailing for roof slopes of 3:12 (25%) and greater:

- Mechanically attach wood blocking to the deck as an insulation stop 4' (1220 mm) on center perpendicular to the slope.
- Apply roof membrane parallel to the slope.
- During application, backnail each roofing ply to the wood blocking staggered 3 inch (75 mm) on center on the back edge of the ply (the section covered by the overlapping ply).
- Fasteners shall be covered by a minimum of two plies.

SPRAY EQUIPMENT

Roofing Pump Systems



The purpose of a roofing pump is to transfer a cold applied adhesive or coating to a roof and raise its pressure for spray application. There are two common types of pump systems used for roofing applications: pneumatic (air driven) and hydraulic (fluid driven).

Pneumatic (Air Driven) Pump Systems

A Pneumatic pump consists of two main parts, the air motor and the lower displacement pump. In addition, an air compressor is required to operate a pneumatic pump. The following chart provides basic specifications for pneumatic roofing pump systems:

Pneumatic Pump & Air Compressor Specifications for Spraying POWERply Standard Cold Adhesive or BURmastic Adhesive	
Minimum Pump Ratio	22:1
Typical Pump/Compressor Air Pressure Output	90 to 120 psi
Pump Rated Flow Rate	3 GPM (gallon per minute) minimum
Compressor Air Volume Delivery @ 100 psi	185 CFM minimum

The air motor and compressed air are used to operate the lower displacement pump, which draws the liquid from the container and raises the pressure of this material so it can be sprayed.

The pump ratio of a pneumatic pump is the relationship of the material pressure developed by the pump to the air inlet pressure. For example, a 22: 1 ratio pump running at 100 psi air pressure will develop 2,200 psi of material pressure at the outlet of the pump (22 X 100 psi = 2,200 psi).

The pump must be able to develop and sustain sufficient material pressure and flow rate within the material hose to provide a full spray pattern. If the spray pressure is too low, the material will only pulse or stream through the spray tip. If the flow rate is too low, the material will sputter/starve at the spray tip. So a properly sized pump must be selected for use to for not only the product being sprayed, but for the delivery rate required of the type of application.

The pump tube must be fully immersed in the material being pumped. The use of siphon tubes or extension hoses to extend the length of the pump tube may restrict the flow of material into the pump tube. These types

of extensions should not be used unless otherwise designed or recommended by the pump equipment supplier.

Air Compressor

The purpose of the air compressor is to provide the required volume of air at a specified pressure for the efficient operation of the pump.

These values provided in the previous chart are recommendations for the use of a spraying system consisting of one pneumatic pump. A typical pneumatic roofing pump requires approximately 110 CFM to operate efficiently. When running two or more pneumatic pumps, an air compressor which can deliver a greater volume of air must be used. Two pumps will double the volume of air which is required for proper operation.

A pump may seem to operate on a lower than recommended air volume or air pressure. However, at these lower air volumes or air pressures, the pump will not be operating at its designed efficiency levels. This will result in a reduced material flow rate and reduced spray pressure. The pump will cycle slowly, if it even cycles at all.

Contact the manufacturer of the pump for more information on the minimum air volume required for the efficient operation of your pneumatic pump.

Air Compressor Components -Air Filter, Lubricator, Regulator & Shutoff Valve

The use of an air filter unit is recommended in order to remove foreign particles and reduce moisture in the air supply.

The use of an air lubricator may help to smooth the movement and extend the life of the air motor of the pump by applying a measured amount of lubricant into the air supply. A light weight misting oil is typically used in an air lubricator. Some air motors do not require lubrication and may in fact be damaged by this procedure. Contact your pump manufacturer for specific recommendations.

The use of an air regulator allows for precise control of the air pressure into the pump.

An air shutoff valve is highly recommended for all pneumatic pumps. This will allow for the immediate or emergency shut-offs of the pump by closing the air line.

All of the above described air components must be designed and rated for use under the maximum temperatures, maximum air pressures, and maximum airflow volumes (185 CFM) which the air compressor will provide. Consult the manufacturer of the air compressor, pump, or air components for more specific recommendations.

Air Hose

Air Hose used to connect the compressor to the pneumatic pump should be heavy duty and reinforced to withstand pressures of at least 200 psi.

Minimum ID (inside diameter) required will typically be 3/4", using either Sleeve Type Air Coupler (Quick Connect) assemblies or Chicago Style Fittings for connecting components and sections.

Hydraulic (Fluid Driven) Pump Systems

A Hydraulic pump consists of two parts, the fluid motor and the displacement pump. This pump operates along the same basic principle as pneumatic pumps, except that hydraulic fluid is used to operate the fluid motor rather than compressed air. The following chart describes the minimum recommendations for a hydraulic roof pump spraying system:

Hydraulic Pump Specifications for Spraying POWERply Standard Cold Adhesive and BURmastic Adhesive	
Minimum Output Material Pressure	2,200 psi
Flow Rate (Delivery)	3.0 GPM (gallons per minute, minimum)
Size of Material Outlet Fitting	3/4" NPT minimum

Hydraulic pumps are rated by the maximum material output pressure, not by pump ratio.

A hydraulic pump operates by circulating hydraulic fluid through the fluid motor at pressures in the range of 800 to 1,200 psi. This high pressure fluid operates a piston in the fluid motor. The piston's energy is transferred to the displacement pump. This in turn raises the pressure of the material, causing it to be pumped and sprayed.

Most hydraulic pumps used in the roofing industry to spray apply BURmastic are self contained units. These pump units contain a gasoline engine (typical 18 HP) to drive the hydraulic fluid to the material pump. The pump unit is mounted on a two wheel cart frame, making it extremely portable. Long lengths of material hoses can be eliminated, since these pumps can be brought almost to the point of application on the roof.

The pump tube must be fully immersed in the material being pumped. The use of siphon tubes or extension hoses to extend the length of the pump tube may restrict the flow of material into the pump tube. These types of extensions should not be used unless otherwise approved by Tremco.

Comparison of Hydraulic and Pneumatic Pumps

A hydraulic pump system has better energy transfer efficiency compared to a compressed air system. In addition, a hydraulic system will operate without water condensation or icing problems in cold weather because there is no air exhaust from a hydraulic pump system. Hydraulic pumping units are typically self contained, consisting of a gas driven hydraulic motor and the displacement pump on a portable cart.

Disadvantages of a hydraulic system include dependence on the hydraulic oil, which must be properly maintained in order to be free of contamination, to keep fluids at proper levels, and to operate within the proper temperature range.

A pneumatic pump system requires a separate air source to operate the material pump. A 185 CFM air compressor is required to run a pneumatic pump. This type of compressor is typically mounted on a trailer to be towed by a truck.

Pneumatic systems are subject to water condensation and icing in cold weather. Pneumatic pumps are typically less expensive than hydraulic pumps. However, when the cost of the needed compressor is considered, the final system prices are comparable.

Heat Exchange Units

A tube-fired, thermostatically controlled oil bath heat exchange unit is the only recommended method of warming bituminous adhesives such as POWERply Standard Cold Adhesive and BURmastic Adhesive for spray application. The following criteria help to describe the equipment and typical operating conditions of a heat exchange unit for bituminous roofing adhesives:

Specification for Heat Exchange Unit for Bituminous Roofing Adhesives	
Pipe Coils	Schedule 80, boiler grade minimum
Heat Transfer Oil, temperature range	250° to 350°F

In a commercial heat exchange unit, the bituminous adhesive is pumped through pipe coils submerged in a double walled, insulated container of heat transfer oil. The bituminous adhesive is warmed to an output temperature of 90° to 100°F, depending on the temperature of the surrounding heat transfer oil.

Follow all operating and safety procedures per the manufacturer of the heat exchange unit.

Material Hoses - (SAE J517 100 Series, Type AT)

A high pressure, hydraulic hose conforming to SAE J517 100 Series, Type AT must be used as a material line for POWERply Standard Cold Adhesive and BURmastic Adhesive in all pressurized transfers from the pump to the spray wand.

This type of material hose utilizes synthetic rubber in both the tube and cover material. Depending on the pump output spray pressure range, the specified hydraulic hose will contain one or more braids of wire reinforcement. Select the material hose so that its designed working pressure is equal to, or exceeds the maximum material output delivery pressure.

The material hose must be approved for use with fluids containing petroleum and paint solvents. The specified service temperature range is from -40° to 200°F.

To achieve a good material spray pattern, it is important to have sufficient material pressure at the spray tip. However, material pressure drops off steadily as the material hose length is increased. Therefore, it is very important to keep the material hose length to a minimum in order to maintain proper material pressure at the spray tip.

The following reference chart relates the hose diameter and working pressure rating to the SAE spec for a particular fluid transfer hose:

Maximum Working Pressure (PSI) of SAE 100R Type AT Fluid Hose

Hose ID	SAE100R2	SAE100R8	SAE100R9	SAE100R10	SAE100R11	SAE100R12	SAE100R13
1/2"	3,500	3,500	4,000	6,250	7,500	4,000	-
5/8"	2,750	2,750	-	-	-	4,000	-
3/4"	2,250	2,250	3,000	5,000	6,250	4,000	5,000
1"	2,000	2,000	3,000	4,000	5,000	4,000	5,000
1 1/4"	-	-	2,500	3,000	3,500	3,000	5,000
1 1/2"	-	-	2,500	2,000	3,000	2,500	-

Reference: SAE J517 (April 91) Hydraulic Hose

Typically, a 22: 1 ratio pump can be used to spray material through 200' to 300' of standard 3/4" ID (Inside Diameter) material hose with 70°F material and air temperatures. By using a Heat Exchange Unit and a higher output pressure pump, longer lengths of material hose, up to 500', may potentially be used.

For pumping over long distances, always use a 1" ID material hose between the pump and the Heat Exchange Unit. Next, use a large diameter hose (1" ID) material hose for as long a distance as possible to reduce the pressure drop through the hose. Then, using a reducing coupler, connect a smaller sized material hose to the spray wand for the last 15 - 20'. This will make the line easier to handle for the sprayer.

Inspect hoses regularly to assure safe spray operations. To prevent material leakage in case a hose bursts, thread the pressurized material line through a larger diameter hose (an old fire hose.) Always protect sensitive or difficult to clean building features from accidental leaks.

Material Hose Connections

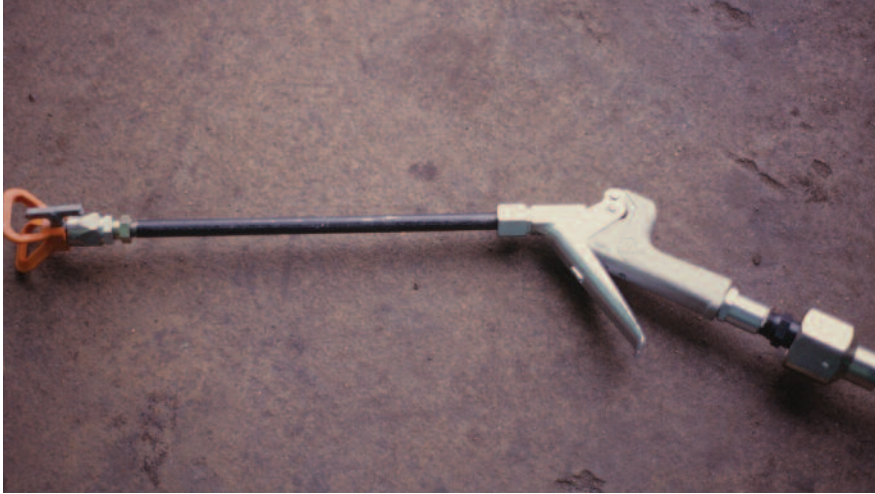
The threaded hose connections should be constructed of a non-corrosive metal. Materials such as Brass, Stainless Steel w/ Zinc plating, or Steel w/ Chrome plating should be used because of their corrosion resistance. Aluminum fittings should not be used since they do not have the long term strength and durability needed in a threaded connection which will be frequently loosened and tightened by wrench.

It is recommended to set up the material hoses with threaded male fittings and use female swivel fittings to connect the sections of hose.

Quick connects are not recommended for material hoses since they are typically not rated for high pressure applications. However, they are commonly used for air connections.

Spray Wands

POWERply Standard Cold Adhesive and BURmastic Adhesive must be applied using airless pump and spraying systems. Using an air-assisted spray system would lead to uncontrollable overspray and poor control of coverage rates.



Airless spray wands are available in two general types, a pole gun or a trigger spray wand.

A pole gun utilizes a threaded section of Schedule 80 pipe with a ball valve on one end and the spray tip on the other. One of the ends is typically curved to direct the spray flow onto the roof.

A trigger spray wand utilizes a safety hand lever to control the spray flow. Trigger spray wands

can be much easier to handle than a full sized pole gun, however, the smaller 1.0. of the pipe leads to lower flow rates. This may slow down a spray application, especially during the application of flood coats.

Valve Types

When using a pole gun, a full port ball valve is needed to act as an on/off valve for material flow. A full port ball valve allows the ball to open up to the maximum inner diameter of the material line. Standard ball valves reduce the inner diameter of the valve at the ball and create a flow restriction and are not recommended for that reason. The pressure rating on all valves must be matched to the maximum output pressure of the pump.

Ball valves are typically sealed with Teflon packing gaskets. It is important to run the valve in the fully opened position, since a partially opened position will allow high pressure material to flow across the packing surface. This will lead to premature packing failure. Reinforced Teflon packings are recommended rather than virgin Teflon packings.

Reinforced Teflon (modified with glass fiber) is more wear resistant. Reinforced Teflon tends to be off-white in color, while virgin Teflon is brilliant white.

Metal on Metal spray valves have been developed to reduce the dependency on packings, and the related maintenance. These metal on metal valves are made of hardened steel, making them extremely wear resistant.

Spray Tips

A heavy duty, reversible spray tip should be used for the most efficient spray application of POWERply Standard Cold Adhesive and BURmastic Adhesive. The reversible tip allows for minor clogging to be quickly cleared with minimal down time.

The spray tip nozzle should provide what is known as a flat spray fan pattern. In addition, the seals and gaskets used within the spray nozzle must be compatible with solvents in the material being sprayed.

Follow manufacturers recommendations for the safe use and maintenance of spray tips.

Spray Tips Specifications for POWERply Standard Cold Adhesive

Orifice Size Range	0.052" to 0.072"
Spray Fan Angle	45° to 65°
Spray Fan Width (at 1 foot)	Approx 8" to 14"
Gasket Type	Teflon or Viton

Squeegee Application

A neoprene rubber squeegee is recommended for manual application of POWERply Standard Cold Adhesive and BURmastic Adhesive SF. A serrated blade, with jagged rubber tines (teeth) will allow the adhesive to be evenly spread across the substrate.

By selecting the proper height of the notching on the blade, the coverage rate can be easily controlled. In addition, the pressure exerted on the blade helps to control coverage rates. Serration notches of 3/16" to 1/4" are sufficient to allow for the application of adhesive at the proper coverage rate. However, good roofing practice dictates that an area should be marked off to confirm the proper material coverage rate. Alternately, use a squeegee designated 40 mil or 45 mil for interply application and 75 or 90 mil for flood coat application.

Squeegee blades must be replaced when the tines become rounded and worn. Wipe the squeegee blade clean using Mineral Spirits after the application. Soaking the rubber blades in solvent will cause them to swell and render them useless.

WEIGHTED ROLLER FOR COLD PROCESS ADHESIVES



Tremco requires all cold applied POWERply top membranes to be fully rolled into the adhesive immediately after application. A 35 to 75 lb. (16-34 kg) weighted roller improves the contact of the back of the POWERply membrane with the adhesives, to minimize the potential for voids within the roof membrane system.

This roller is typically a minimum of 18" wide steel roller surface which is secured to a steel frame to allow for the quick application of pressure onto the POWERply membrane. Water-filled garden rollers may also be utilized,

provided it is filled to the 35 to 75 lb. (16-34 kg) weight range, which has been found to provide the optimum pressure without displacing adhesive.

The weighted roller has been determined to be superior to brooming, which requires consistent effort in order to be effective.

The roller shall also be run along the inside edge of the selvedge, which is an area where air may be trapped under a MB during installation. Take care to keep the rolling surface clean of cold process adhesive, in order to minimize tracking across the newly installed modified bitumen surface.

HEAT WELDING EQUIPMENT



Leister, a leading manufacturer of heat-welding equipment, has developed the Bitumat B2 heat seaming unit for use in the hot air welding of modified bitumen membranes.

The Bitumat B2 is an automatic heat-seaming unit specifically designed to seal the side and end laps of modified-bitumen membranes. It differs from the Varimat (used on thermoplastic single plies) in several ways:

- 4" wide heat nozzle – Allows the entire selvage to be seamed in one pass.
- Air Volume Control – Reduces bitumen “blow out” from the seam.
- Seam Air Dam – Prevents air from being blown back into the adhered sheet.

These improvements correct the issues experienced when heat seaming MB's using a heat welding unit intended for single ply thermoplastic membranes, such as the Leister Varimat. The wide air nozzle permits the seam to be fully welded shut while producing a bitumen bead bleed on both the seam and underside the MB lap. The air volume control allows the operator to eliminate the bitumen splatter blowing out of the seam and onto the granules. The seam air dam prevents the hot air from being blown under the MB membrane and potentially delaminating the adhered membrane.

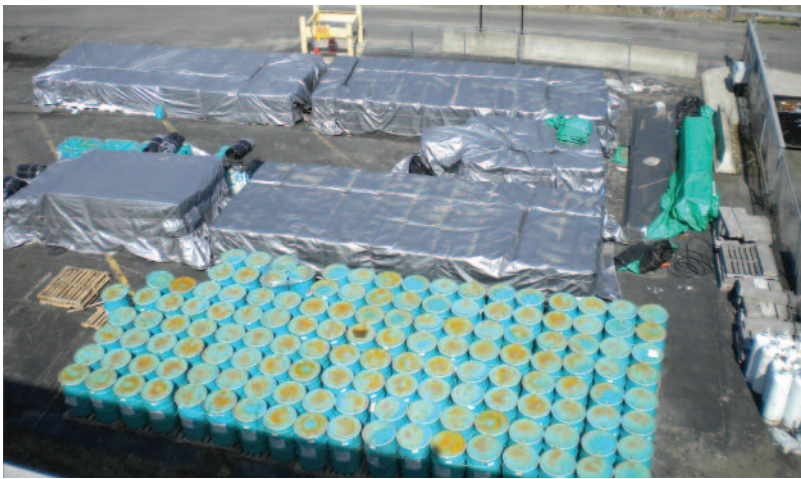
Tremco Technical Services has verified that POWERply MB membranes can be effectively heat welded using the Bitumat B2 unit. Lap shear testing conducted in the Tremco Research Center demonstrated that a heat welded seam is stronger than an adhered seam. The heat welded seam becomes instantly watertight and can easily be inspected both visually for bleed out and with a membrane probe to assure a solid weld.

The Bitumat B2 hot-air welder and heat-seaming application techniques represent a best practice for the installation of POWERply MB's. The Roofing and Building Maintenance Division Technical Services Group strongly recommends this application method and equipment for the installation of Tremco POWERply roof systems.

COLD WEATHER STORAGE AND APPLICATION RECOMMENDATIONS

Outdoor temperatures of 45° F and rising are usually acceptable conditions for roof work. Some types of roof work may take place under cooler weather conditions, provided the proper methods are in place to deliver the materials to the point of application in a workable condition. Substrate conditions and sufficient cure time for materials must also be taken into consideration. Evaluate all factors related to environmental conditions prior to installation of any roof material.

Material Storage and Handling:



Upon receiving roll goods, remove or slit tops of plastic shipping packaging and cover all rolls with canvas tarpaulin and secure. Protect all roofing material from exposure to snow, ice and water.

Roofing products shall be stored on pallets or dunnage off the ground or roof surface. Protect stored liquid materials from direct sunlight. Determine if products require special storage conditions or temperature ranges and make provisions to follow

manufacturer's specific recommendations.

Protect roof insulation from physical damage and deterioration by sunlight, moisture, soiling, and other forces. Store in a dry location. Comply with insulation manufacturer's written instructions for handling, storage, and protection during installation.

Materials marked "KEEP FROM FREEZING" must always be transported and stored at temperatures above 40° F.

Store cold process adhesives, mastics and coatings in a heated (approximately 70° F), properly ventilated area.

Adhesives, mastics and coatings in 5 gallon pails must be stored in a heated area (approximately 70°F) for 24 hours minimum prior to use under cold weather roofing conditions.

Adhesives and coatings in 55 gallon barrels should be stored in a heated area (approximately 70°F) for 3 days minimum prior to use under cold weather roofing conditions.

Handle and store roofing materials and equipment in a manner to avoid permanent deflection of the roof deck.

Cool Temperature Conditions - Hot Applied Bitumen:

Hot bitumen products such as THERMastic Adhesive, Thermastic 80 Adhesive, and Premium IV Asphalt must be delivered to the point of application with the EVT range or within the temperature range listed in the project

specifications. This can be accomplished using insulated supply lines and insulated luggers. Do not overheat bitumen to compensate for cold temperature conditions.

Apply hot bitumen no more than 5 feet ahead of the roofing roll. Smaller mop heads should be used to provide shorter mopping lengths.

Finish the mop stroke by mopping the selvage last to provide the hottest bitumen along the exposed lap edge. Immediately set the roll, apply pressure to the roll, and broom the roll into the hot bitumen.

Cool Temperature Conditions - Cold Process Adhesive:



POWERply Standard Cold Adhesive may require special handling procedures to maintain proper application when the ambient temperatures drop below 50° F.

When POWERply Standard Cold Adhesive material temperature drops below 50° F, this product is difficult to pump. Store product containers in a heated area to maintain the material temperature above 60° F.

The use of flexible band or strap heaters is not recommended, since these heating systems may overheat and degrade the product, or lead to a dangerous buildup of pressure in the

container. Do not heat cold process adhesives using open flames. The use of superheated air blowers pointed directly at roof materials is not recommended.

Use an inline Heat Exchange Unit to warm POWERply Standard Cold Adhesive to improve sprayability under cold temperature conditions. A Heat Exchange Unit will elevate material temperatures to between 90 and 100°F application temperature range, which allows for safe handling without degrading the product. Never heat cold process adhesives above their flash point. Keep roofing material a safe distance from the Heat Exchange Unit as recommended by the equipment manufacturer.

Flush the pump and material lines at the end of the day using mineral spirits to minimize problems the following day, as cold process adhesive which has been exposed to cool overnight temperatures will be very difficult to clear the following morning.

Store POWERply rolls on end and in a warm location (70° F) for 24 hours minimum prior to use. Rolls stored in cold areas may become stiff and therefore may ridge during application especially when applied in cold process adhesives. Cut rolls into 16 foot sections and stack; allow these sections to relax for at least 1 hour prior to application at ambient temperatures below 55° F.

Return roofing materials to heated storage if they become stiff and unworkable.

HOT BITUMEN APPLICATION

General Requirements

Many POWERply modified bitumen system configurations may be installed in hot melt bituminous adhesives. The following system configurations are acceptable, subject to specific product requirements described within this guide, within the technical data sheet for the specified POWERply membrane, or within Tremco Technical bulletins.



Typical System Configurations:

- 1+1 (POWERply base membrane & POWERply top membrane)
- 2+1 (POWERply base membranes & POWERply top membrane)
- 2+1 (Ply Sheets & POWERply top membrane)
- 3+1 (Ply Sheets & POWERply top membrane)

Alternative system configurations utilizing Tremco brand membranes or ply sheets may be acceptable. Please contact your Tremco Representative with questions regarding alternative configurations not described within this guide.

POWERply hot applied modified bitumen projects shall be staged for each roof area in consultation with the building owner/manager to account for building occupant safety and concerns. Hot kettles shall be setup in an area acceptable to both the contractor and owner, to protect non-roofing personnel, minimize odor entry into the building, and to maintain delivery of bitumen to the point of application at the proper temperatures.

Set up roofing equipment and system installation to minimize roof and other trade traffic across the new roofing membrane. Protect new roof membranes with walkway surfaces where traffic is unavoidable.

POWERply membranes and system ply sheets are applied in hot bitumen adhesive at a coverage rate of 25 lbs/100sq ft (1.2 kg/sqm.) per ply. For flood and gravel surfacing, hot asphalt is applied at 60 lbs/100 sqft. (2.9 kg/sqm) and polymer modified bitumen such as THERMastic and THERMastic 80 Adhesive are applied at a minimum 50 lbs/100 sqft. (2.4 kg/sqm). Immediately broadcast a minimum 400 lbs/100 sqft. (19.5 kg/sqm) of new clean roofing gravel.

To ensure complete and uniform adhesion of the POWERply membrane, the hot bitumen adhesive should extend slightly beyond the lap edges. For granule surfaced POWERply, broadcast loose granules into the exposed bitumen adhesive to maintain uniform finished appearance of the roof.

Reflective coatings may be applied to POWERply granule surfaced membranes. Please contact your Tremco Representative for specific information on specific coating options which extend system fire ratings.

I. POWERply Hot Applied Membrane Installation

- A. Install roofing membrane system according to roofing system manufacturer's written instructions and applicable recommendations in ARMA/NRCA's "Quality Control Guidelines for the Application of Polymer Modified Bitumen Roofing" and as follows:
- B. Start installation of roofing membrane in presence of Tremco's technical personnel.
- C. Coordinate installation of roofing system so insulation and other components of the roofing system not acceptable for exposure to weathering elements are not subjected to precipitation or left uncovered at the end of the workday or when rain is forecast.
- D. At end of each day's work, provide tie-offs to cover exposed roofing membrane sheets and insulation with a course of coated felt set in roofing cement or hot bitumen adhesive, with joints and edges sealed.
- E. Complete terminations and base flashings and provide temporary seals to prevent water from entering completed sections of roofing system.
- F. Remove and discard temporary seals before beginning work on adjoining roofing.
- G. Bitumen Heating: Do not raise hot bitumen adhesive temperature above equiviscous temperature range more than one hour before time of application. Do not exceed roofing asphalt manufacturer's recommended temperature limits during roofing asphalt heating. Do not heat bitumen adhesive within 25 degrees Fahrenheit of flash point. Discard roofing asphalt maintained at a temperature exceeding finished blowing temperature for more than four hours.
- H. Substrate-Joint Penetrations: Prevent hot bitumen adhesive from penetrating substrate joints, entering building, or damaging roofing system components or adjacent building construction.

II. Hot Applied Base Ply-Sheet & Top Membrane Installation:

- A. Fully remove roll labels and install modified bituminous roofing membrane base ply-sheet and cap sheet, starting at low point of roofing system. Extend roofing membrane sheets over and terminate beyond eaves, installing as follows:
 1. Unroll roofing membrane sheets and allow them to relax for minimum time period required by manufacturer.
 2. Adhere to substrate in a solid mopping of hot bitumen adhesive applied at not less than 425 degrees Fahrenheit.
 3. Apply hot bitumen adhesive no further than 10 feet ahead of the roll being applied; in cool weather conditions, apply hot bitumen adhesive no further than 5 feet ahead of the roll.
 4. Apply roll directly onto the roof and immediately apply pressure to membrane to ensure 100% contact of the underside of the membrane into the hot bitumen adhesive. Do not "fly" or place ply into the hot bitumen.
- B. Laps: Accurately align roofing membrane sheets, without stretching, and maintain uniform side and end laps. Stagger end laps. Install roofing membrane sheets so side and end laps shed water. Completely bond and seal laps, leaving no voids.
 1. Hot mop lap areas last, so the seam area receives the hot bitumen adhesive at the highest temperature, to promote the best watertight bond in the critical seam area.
 2. Repair tears and voids in laps and lapped seams not completely sealed.

TORCH APPLICATION

General Requirements

Tremco offers both APP and SBS torch applied modified membranes. Alternative system configurations utilizing Tremco brand membranes or ply sheets applied in hot bitumen adhesives in combination with these torch applied components may be acceptable. Please contact your Tremco Representative with questions regarding alternative configurations not described within this guide.

Follow industry guidelines as described in the CERTA (Certified Roofing Torch Applicator) program, which provides industry standard safety practices and procedures for torching activities.

Do not torch to wood fiber or other combustible/incompatible materials, such as products applied in solvent based adhesives.

Do not torch into any area where the flame's path cannot be seen, such as flashings, corners, curbs, expansion joints, and roof penetrations.

POWERply Torch Application:

- Plan placement of POWERply Base Sheet to ensure that water flows over or along, but not against, the exposed edges. Starting at the low point of the roof, set the roll and unroll up to half of the length of the roll where possible to assure proper alignment.
- Prime substrates such as concrete decks, gypsum or mineral wool coverboards, or base sheets which have been exposed to weathering with an asphalt primer such as Tremprime QD or Tremprime LV. Contact Tremco Technical Services for additional info on surface preparation.
- Torch apply the flame to the surface of the coiled roll until the surface reaches the proper application temperature (330°F to 350°F [166°C to 176°C]).
- The torch flame must be moved from side to side to heat the back of the sheet enough to develop a glossy sheen. In addition, the selvage and end lap areas of the previously applied sheet must be torch heated to provide proper adhesion. Heavy smoke from the torched surface indicates the surface is being overheated.
- Slowly unroll the torch heated roll while applying sufficient pressure to the roll to adhere the sheet to the underlying surface. Align the next roll along the factory applied lay line at the inside of the selvage and continue application. A 1/8" to 3/8" (3 mm to 10 mm) bleed out of bitumen extending beyond the edge of each lap is required. Immediately apply matching granules into this bleed out along all side laps and end laps.
- Roll side laps and end laps with a steel lap roller and check all laps for proper adhesion. End laps 6" (152mm) minimum. Offset membrane laps from base ply laps. Stagger end laps 36" (914 mm) minimum.
- To torch apply POWERply over granule surfaced areas, such as an end laps, fully embed the granules on the underlying membrane prior to torch applying the membrane over it. Heat the granule section and press the granules into the compound using a steel trowel to provide a surface capable of proper adhesion.
- Sections of the POWERply membrane not protected by granule surfacing must be surfaced with loose granules embedded into the sheet after softening the surface with a torch.

COLD PROCESS APPLICATION

General Requirements

Many POWERply modified bitumen system configurations may be installed in cold process bituminous adhesives. The following system configurations are acceptable, subject to specific product requirements described within this guide, within the technical data sheet for the specified POWERply membrane, or within Tremco Technical bulletins.

Typical System Configurations:

- 1+1 (POWERply base membrane & POWERply top membrane)
- 2+1 (POWERply base membranes & POWERply top membrane)
- 2+1 (Ply Sheets & POWERply top membrane)
- 3+1 (Ply Sheets & POWERply top membrane)

Alternative system configurations utilizing Tremco brand membranes or ply sheets may be acceptable. Please contact your Tremco Representative with questions regarding alternative configurations not described within this guide.

Consider the building occupant while staging POWERply cold process modified bitumen projects. Roof materials and roofing equipment shall be setup in an area acceptable to both the contractor and owner, to protect non-roofing personnel, minimize odor entry into the building. The building owner shall consider the temporary diversion of air intake from ventilation units in the roof installation area and provide makeup air from adjacent areas where building occupants may be disturbed by odors generated during the roof installation. In buildings where there may be extreme sensitivity to product odors, the use of Tremco solvent-free adhesives are strongly recommended for use.

Set up roofing equipment and system installation to minimize roof and other trade traffic across the new roofing membrane. Protect new roof membranes with walkway surfaces where traffic is unavoidable.

POWERply membranes and system ply sheets are applied in cold process adhesive at a coverage rate of 2 gallons/100 sq ft (0.8 L/sqm.) per ply. For flood and gravel surfacing, cold process adhesive is applied at 5 gal/100 sqft. (2 L/sqm). Immediately broadcast a minimum 400 lbs/100 sqft. (19.5 kg/sqm) of new, clean roofing gravel.

To ensure complete and uniform adhesion of the POWERply membrane, the cold process adhesive shall extend slightly beyond the lap edges. For granule surfaced POWERply, broadcast loose granules into the exposed bitumen adhesive to maintain uniform finished appearance of the roof.

Reflective coatings may be applied to POWERply granule surfaced membranes. Please contact your Tremco Representative for specific information on specific coating options which extend system fire ratings.

Cold Process Roofing Membrane Installation

1. Cold Process Installation, General
 - a. Install roofing membrane system according to roofing system manufacturer's written instructions and

applicable recommendations in ARMA/NRCA's "Quality Control Guidelines for the Application of Polymer Modified Bitumen Roofing" and as follows:

- b. Start installation of roofing membrane in presence of roofing system manufacturer's technical personnel.
 - c. Coordinate installation of roofing system so insulation and other components of the roofing membrane system not permanently exposed are not subjected to precipitation or left uncovered at the end of the workday or when rain is forecast.
 - d. At end of each day's work, provide tie-offs to cover exposed roofing membrane sheets and insulation with a course of coated felt set in roofing cement, with joints and edges sealed.
 - i. Complete terminations and base flashings and provide temporary seals to prevent water from entering completed sections of roofing system.
 - ii. Remove and discard temporary seals before beginning work on adjoining roofing.
 - e. Substrate-Joint Penetrations: Prevent roofing asphalt and adhesives from penetrating substrate joints, entering building, or damaging roofing system components or adjacent building construction.
2. Base Ply or Base Membrane Installation
- a. Install base ply sheet(s) or Modified Base Membrane starting at low point of roofing system. Align each ply/membrane without stretching. Extend sheet(s) over and terminate beyond cants.
 - b. Shingle side laps of base/ply membrane sheets uniformly to ensure that required number of sheets covers substrate at any point. Shingle in direction to shed water.
 - c. Embed each ply/base membrane sheet in full coverage of cold-applied membrane adhesive.
 - d. Roll Modified Base Membrane with 75lb roller. Base Ply Sheets shall be pressed into place to ensure full contact into ply adhesive.
3. Cold Process Modified Bitumen Membrane Installation
- a. Fully remove roll labels and install POWERply modified bituminous roofing membrane cap sheet, starting at low point of roofing system. Extend roofing membrane sheets over and terminate beyond cants, installing as follows:
 - b. Unroll roofing membrane sheets and allow them to relax for minimum time period required.
 - c. Embed each ply sheet in cold-applied membrane adhesive applied in a full coverage of adhesive. Roll membrane into adhesive, do not "fly" or set membrane into adhesive.
 - d. Immediately after installation, to ensure complete and continuous seal and contact between adhesive and ply sheets without wrinkles, fish-mouths or blisters:
 - i. Minimum 75-pound weighted roller shall be applied over entire adhered membrane.
 - e. Laps: Accurately align roofing membrane sheets, without stretching, and maintain uniform side and end laps. Stagger end laps. Install roofing membrane sheets so side and end laps shed water. Completely bond and seal laps, leaving no voids.
 - f. Hot air welded side laps and end laps are acceptable, following Tremco's published procedure. Repair tears and voids in laps and lapped seams not completely sealed.
 - g. Apply roofing granules to cover exuded bead at laps.
 - h. Allow for minimum 28 day cure prior to application of surface coatings for membranes adhered in solvent based cold adhesives.

ROOF SYSTEM INSTALLATION USING POWERPLY ENDURE BIO ADHESIVE

Description and Packaging:

POWERply Endure™ BIO Adhesive is a 2-component urethane used as a base and interply membrane adhesive for POWERply Modified Bitumen Systems. In addition, this adhesive is also used as a base membrane adhesive for the AlphaGuard MT or BIO Plus Roof Systems.

POWERply Endure BIO Adhesive develops excellent adhesive strength between bituminous roof system ply sheets and membranes, resisting delamination and other destructive forces. In addition, POWERply Endure BIO Adhesive adds additional waterproofing to the roof membrane system it is used within.

POWERply Endure BIO Adhesive offers the following benefits:

- Fast Curing; 2 component (base & curative) mix
- Ultra Low Odor
- Ultra Low VOC
- Strong Bond; leads to excellent wind resistance
- Excellent Compatibility with modified bitumen membranes
- Contains a high percentage of bio-based components, which provides a more sustainable approach for roofing and waterproofing installations.

POWERply Endure BIO Adhesive is applied at a 4:1 ratio. The following packaging is available:

- 4 gallon kit – Consists of 3.2 gal base (Part A) and 0.8 gal curative (Part B).
The curative is supplied in a 1 gallon can which is poured into a base
- 250 gallon kit – Consists of 4 – 50 gal bbls base (Part A) and 1 – 50 gal bbl curative (Part B)

Storage & Temperature Requirements:

POWERply Endure BIO Adhesive product containers must be stored at temperatures above 40°F when preparing for application. Do not apply when product temperatures are below 45°F and do not apply where overnight temperatures drop below 40°F.

Do not mix at material temperatures above 100°F because pot life will be greatly reduced.

Do not exceed 110°F storage temperatures and do not store in direct sunlight.

Substrates:

Approved substrates include the following:

- POWERply SBS & APP MB membranes
- BURmastic Composite Ply Family ply sheets (HT, Premium, & Supreme)
- Wood fiber insulation (ASTM C208)
- Polyisocyanurate insulation
- Gypsum board (ASTM C1177 & D1278)
- Roxul brand insulation (requires increased coverage of 3.0 gal/SQ to adhere membrane)
- Various wood, plywood, tectum, metal, and masonry substrates – contact Tremco Technical Services for specific recommendations regarding surface prep, coverage rates, and application to these various structural substrates.

Surface Preparation:

Roof surface must be smooth, clean, and dry and free from oil, dust, and all contamination.

Install roof insulation per project specifications. Plan placement of roof membranes so that water flows over or along, but not against exposed membrane edges. Begin installation of membrane at the low point of the roof.

Substrate must be smooth and flat and free of uneven obstructions. If applying POWERply Endure BIO Adhesive over membrane/plies previously installed, knock down high spots & cured puddles of adhesive to assure subsequently installed membranes will lie flat against the previously installed roofing.

Mixing:

Use a heavy duty power drill with a Jiffy Mixer attachment. Cordless drills do not provide sufficient mixing horsepower and are not recommended since the adhesive may not properly mix.

Mix Part A (Base) for 1 minute, then add Part B (Curative). Mix the combined parts for a minimum of 2 minutes, blending and moving the mixing blade from top to bottom. Mix all areas within base container.

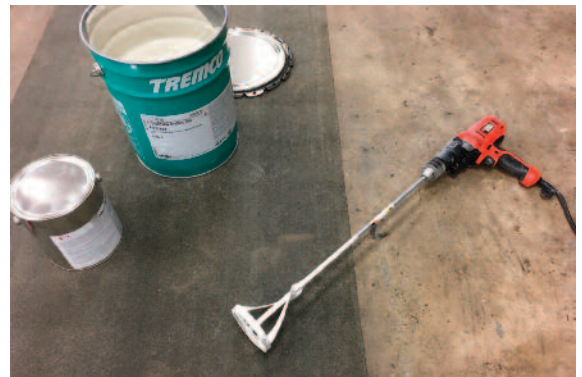
After mixing, the pot life of mixed POWERply Endure BIO Adhesive is 20 to 25 minutes at 77°F.

Application:

For application by squeegee, mix the base and curative as described above and pour product from the pail directly onto the substrate and spread using a serrated rubber squeegee. Do not fully invert and fully drain all remaining traces from pails. Remaining traces from sidewalls of pails are typically not fully mixed. Using remaining traces from pails will result in the use of non-curing material

POWERply Endure BIO Adhesive is spray applied using custom equipment consisting of the Graco XP70 Plural Component Spray System. This equipment is available fully outfitted with spray guns, hoses, and tips from **Spray Equipment & Service Center Inc. (Wichita, KS, 800-666-6072)**. The Grace XP70 mixes the POWERply Endure BIO Adhesive base and curative at a 4:1 ratio within a manifold and delivers the blended base/curative mixture to the point of application by spray.

Do not allow mixed product to remain in the manifold or spray lines downstream from the manifold for longer than 20 minutes.



Apply adhesive at a coverage rate of 2 gal/SQ (32 wet mils or 0.8 L/m²). Backroll with a 1/2" nap roller to provide a smooth and consistent coverage. Use a mil gauge to ensure the coverage rate is accurate, including the lap area.

Embed membrane/ply sheet(s) into freshly applied POWERply Endure BIO Adhesive immediately.

- Apply pressure to fully press each membrane/ply sheet into the adhesive.
- Use a 75 pound weighted roller to press in membranes while adhesive is wet. If air pockets are noticed use the roller across the roll to work the air pockets out.



Uneven high spots of previously installed build-ups of POWERply Endure BIO Adhesive must be knocked down/ scraped off prior to application of a new coverage of POWERply Endure BIO Adhesive, to allow for subsequent plies to lay flat onto previously applied membrane.

- Use a dry roller, stiff squeegee, trowel or wide putty knife to remove excess material from outside the lap area before it cures.

POWERply Endure BIO Adhesive is acceptable for use as a lap adhesive. To ensure good adhesion, POWERply Endure BIO Adhesive must exude past the membrane lap edge. Overlap membrane side laps 4" (100 mm) minimum and end laps 6" (150 mm) minimum. Apply pressure to end laps and side laps to assure positive adhesion.

Avoid excess adhesive on the roofing plies.

- Clean the bleed out before it dries.
- Protect the roof where product is being mixed.
- Contact productgroup@tremcoinc.com if you have excessive bleed out for additional recommendations.

When installing a POWERply MB system in a 1+1 (2 ply) configuration, stagger cap membrane laps from base membrane laps a minimum of 12", so these laps do not align directly on top of each other. Stagger end laps 36" (approx. 1 m).

Use approved materials within the system. No solvent based materials or silicone materials, Polyroof SF or BURmastic Adhesive SF are permitted. Geogard Seam Sealer, Solargard Seam Sealer, and TremSEAL Pro are recommended as compatible roof adhesives and sealants.

Clean Up

Review product SDS for recommendations on safe handling of POWERply Endure BIO Adhesive. Isopropyl Alcohol is recommended to remove uncured adhesive from tools and equipment.

Flashing Systems:

POWERply Endure BIO Adhesive may be used for flashing systems. Sheet must be mechanically attached at the top prior to applying adhesive to substrate.

SELF ADHESIVE APPLICATION – POWERPLY SA SYSTEM:

Install POWERply SA Base Sheet over approved substrates only. Wood, concrete, metal and Dens-Deck must be primed with Tremprime QD Low Odor or Tremprime LV prior to application of POWERply Self Adhesive membranes. Sand surfaced base sheets, such as BURmastic Composite Ply, are not acceptable substrates.

Plan placement of POWERply SA Base Sheet to ensure that water flows over or along, but not against the exposed edges. Starting at the low point of the roof, lay out sheet to assure all seams are straight and properly aligned with the roof edge.

Align the factory applied selvage release film on the roof field side of the sheet, not along the roof edge.

Fold back POWERply SA Base Sheet lengthwise, then remove the first half of the perforated release film.

Carefully fold the sheet back onto the substrate and adhere the first half. Press the membrane into place with firm, even pressure to assure positive adhesion. Avoid voids, wrinkles, and buckling.

After first half is adhered, fold back other half of sheet. Remove release film backing and adhere remaining portion of sheet to the substrate in the same manner.

Position and apply second roll of POWERply SA Base Sheet parallel to the first roll, fully overlapping the release film on the first roll a minimum 3.5" (89 mm). Press the selvage to fully adhere, using firm, even pressure to assure positive adhesion. Continue application of all subsequent rolls in the same manner.

Overlap POWERply SA Base Sheet end laps 6" minimum.

Prior to completing end lap, do not remove 6" (minimum) of release film from the top sheet. Along end laps, cut the underlying sheet in the T-Lap area to a 45 degree angle prior to removing selvage and end lap release film. Caulk along 45 degree lap cut with 1/8" bead of Reglet Joint Sealant to ensure complete watertight protection of substrate.

Roll the finished POWERply SA Base Sheet surface to assure positive adhesion. Use an 75 lb. steel roller, water filled lawn roller, or similar weighted roller to provide sufficient pressure to the base sheet surface.

Install POWERply SA membrane system directly to POWERply SA Base Sheet. Offset membrane laps from base ply laps. Stagger end laps at least 36" (914 mm).

Plan placement of POWERply SA FR to ensure that water flows over or along, but not against the exposed edges.

Offset POWERply SA FR laps from base ply laps. Starting at the low point of the roof, lay out sheet to assure all seams are straight and properly aligned with the roof edge. Align the factory applied selvage release film on the roof field side of the sheet, not along the roof edge.

Fold back POWERply SA FR lengthwise, then remove the first half of the perforated release film. Carefully fold the sheet back onto the substrate and adhere the first half.

Press the membrane into place with firm, even pressure to assure positive adhesion. Avoid voids, wrinkles, and buckling.

After first half is adhered, fold back other half of sheet.

Remove release film backing and adhere remaining portion of sheet to the substrate in the same manner.

Position and apply second roll of POWERply SA FR parallel to the first roll, fully overlapping the release film on the first roll a minimum 3.5" (89 mm). With the first and second roll properly placed, aligned, overlapped, and adhered, remove the release film from the previous sheet's selvedge.

Press the selvedge to fully adhere, using firm, even pressure to assure positive adhesion. Continue application of all subsequent rolls in the same manner.

Overlap POWERply SA FR end laps 6 " minimum. Do not remove 6" (minimum) of release film from the top sheet until ready to seal end lap. Stagger end laps at least 36" (914 mm). No special end lap treatment is necessary if using the factory end lap which is at the core of each roll.

When constructing end laps onto granule surfaced sections, embed granules into the membrane using a heated trowel. Alternately, seal end laps using Polyroof LV.

Roll the finished POWERply SA FR surface to assure positive adhesion. Use an 80 lb steel roller, water filled lawn roller, or similar weighted roller to provide sufficient pressure to finished membrane surface.

POWERply SA - Cool Weather Conditions:

Rooftop temperatures of 140F (60C) must be attained to fully activate the self adhesive backing and laps. Ultimate system laminate strengths are not fully achieved until POWERply SA membrane equilibrates at or above this temperature.

Under weather conditions where POWERply SA membranes will not achieve the proper heat cycle temperature, alternate heat sources are recommended to obtain positive adhesion of end laps, side laps, and other critical areas. Heat overlap areas of POWERply SA membrane with an electric powered hot air welding tool, such as one used to weld single ply laps. Apply heated air evenly to overlap areas until surface becomes warm and glossy in appearance.

Do not overheat and cause bitumen to liquefy and flow. Join heated overlap areas immediately and apply pressure using a hand seam roller. Do not allow traffic on lap areas until cool.

FLASHINGS MEMBRANES AND ADHESIVES

Flashing Membrane	Approved Adhesive	Description
TRA Elastomeric Sheeting	Sheeting Bond (Black or White) POLYroof SF THERMastic Adhesive THERMastic 80 Adhesive	A black 45 mil flashing membrane compounded from a blend of EPDM and SBR thermoset polymers reinforced with a polyester scrim
TPA Flashing	Sheeting Bond (White) TPA Bonding Adhesive	A white 45 mil thermoplastic tri-polymer alloy flashing membrane
POWERply MB (w/backer sheet)	Sheeting Bond (Black) ELS Brush Grade Mastic POLYroof SF Hot-Melt Asphalt Adhesives	SBS modified, granule surfaced modified-bitumen membranes reinforced with fiberglass, polyester, or polyester/fiberglass composite
Multi-Ply Asphalt	ELS Brush Grade mastic Hot-Melt Asphalt Adhesives	Min 2 plies of ASTM D4601 fully coated asphalt base/ply sheets

General Requirements:



Base flashings shall extend onto the roof a minimum of 6” beyond the toe of the cant and a minimum 8” above the surface of the roof.

Flashing membranes and exposed mastics may be surfaced with a reflective coating to extend service life.

Leading edge of base flashings is sealed with a minimum 3-course application of roofing mastic and reinforcing membrane. Base flashing shall be mechanically attached along the top edge, sealed with a termination bar, and protected with a metal counterflashing

Flashing Adhesives

Excessive adhesive application can lead to slippage or blistering of the flashing membrane.

Hypalon flashings shall be adhered with Sheeting Bond or POLYroof SF only.

TRA flashings may be adhered with Sheeting Bond, POLYroof SF, or SEBS modified hot melts (THERMastic or THERMastic 80). Do not adhere with ASTM D312 Type III or IV non-modified asphalt.

Sheeting Bond shall be allowed 10-15 minutes open time for solvents to flash-off. Install Elastomeric flashing sheets promptly after open time. Do not exceed open time or adhesive may skin-over and not bond properly.

Flashing Installation – General

Flashing a roof requires traffic on the new roof installation to complete the flashings. On a THERM hot-applied BUR the roof must be allowed to cool before the flashings are completed.

Protect POWERply roof membrane during the installation of the flashings. Plywood or insulation boards over the roof membrane will spread loads over the surface and prevent point load damage to the membrane.

Temporary flashing may be installed during the membrane application with permanent flashings installed after the cold adhesive has set and is less susceptible to displacement and damage.

Elastomeric flashings may be pre-hung and dropped into place to reduce the amount of traffic on the newly installed roof.

Install base flashing over cant strips and other sloping and vertical surfaces, at roof edges, and at penetrations through roof, and adhere to substrate.

Prime substrate with specified asphalt primer when adhering flashings in asphalt mastics or hot asphalt adhesives.

Backer Sheet Application: Adhere backer sheet to substrate in cold-applied flashing adhesive or hot asphalt adhesive.

Flashing Sheet Application: Adhere flashing sheet to backer sheet or substrate in specified cold-applied or hot-melt adhesive.

Extend base flashing up walls or parapets a minimum of 8 inches above built-up roofing and 6 inches onto field of built-up roofing.

Mechanically fasten top of base flashing securely at terminations and perimeter of roofing.

Seal top termination of base flashing with a metal termination bar. Install stripping where metal flanges and edgings are set on roof membrane.

Flashing-Sheet Stripping: Install flashing-sheet stripping in a continuous layer of flashing sheet adhesive, and extend onto roofing membrane.

Roof Drains: Set lead or copper flashing in bed of asphalt mastic on completed built-up roofing. Cover metal flashing with stripping and extend a minimum of 6 inches beyond edge of metal flashing onto field of built-up roofing. Clamp built-up roofing, metal flashing, and stripping into roof-drain clamping ring.

TRA Flashing Installation

Surface Preparation: Remove all dirt, dust, and other loose debris from the roof. Spud back all embedded gravel from the area. Area should be prepared down to a clean, sound, dry base.

Plan installation of TRA Elastomeric Sheeting so flashing height is between 8" and 12" off the roof membrane and the sheeting extends 6" (152mm) from the base of the cant onto the roof system.

All vertical end laps shall be overlapped a minimum 4".

TRA Hot (SEBS Modified Asphalt) Application:

For hot application, apply THERMastic or THERMastic 80 SEBS-modified hot-melt adhesive to the area in a uniform and continuous mopping at a coverage rate of 25 lbs. /SQ. Do not adhere TRA in ASTM D312 Type III or IV asphalt.

Immediately embed TRA Elastomeric Sheeting in the hot application of approved adhesive.

Apply consistent pressure to the TRA Elastomeric Sheeting to achieve full adhesion of the sheet to the flashing substrate. Sheeting must fully conform to all angle changes, with no bridging or voids.

Secure top edge of TRA Elastomeric Sheeting to wall by nailing on 6" (152mm) centers or by using a termination bar fastened on 8" (203mm) centers.

Strip in base of flashing to roof system using a three course application of approved adhesive and 6" PolyTHERM roofing felt. As an alternate, strip in base of flashing with a five course stripping of approved adhesive and THERMglass Roofing Ply.

Strip in vertical flashing laps with BURmesh set in Sheeting Bond, followed by a top course of POLYroof LV or POLYroof SF.

Exposed mastics used to strip in flashings may be covered with a reflective coating to extend service life.

TRA Cold Adhesive Application:

For cold application, apply Sheeting Bond or POLYroof SF to the area in a uniform and continuous layer at a coverage rate of approx. 15 ft²/gal.

Leave Sheeting Bond exposed 15 minutes minimum prior to membrane application. Adjust open time depending on ambient conditions.

Adhere TRA Elastomeric Sheeting in flashing adhesive. Apply consistent pressure to achieve full adhesion of the sheet to the flashing substrate. Sheeting must fully conform to all angle changes, with no bridging or voids.

Secure top edge of TRA Elastomeric Sheeting to wall by nailing on 6" (152mm) centers or by using a termination bar fastened on 8" (203mm) centers.

Strip in base of flashing to roof system and vertical flashing laps, using a three course application of BURmesh set in Sheeting Bond, followed by POLYroof LV or POLYroof SF. Exposed mastics may be covered with a reflective coating to extend service life.

COVERAGE RATES:

THERMastic and THERMastic 80: 25 lbs. /SQ.

Flashing Adhesive: 15 sq. ft. /gal Coverage rates will vary depending on ambient temperature and surface conditions.

Surfacing: TRA Elastomeric Sheeting may be coated with a reflective roof coating. Two coats are recommended for best coverage. A STAIN-BLOCKING COATING OR PRIMER IS REQUIRED PRIOR TO APPLYING WATERBASED ACRYLIC COATINGS TO TRA ELASTOMERIC SHEETING.

TPA Flashing Installation:

Application as Roof Flashings for MB Systems:

Plan installation of TPA Flashing Membrane so flashing extends 6” from the base of the cant onto the roof system. All vertical overlaps must be 4” minimum.

Remove embedded gravel, dirt, dust, deteriorated felts, and other loose debris from the roof.

Spud back all embedded gravel from the area to receive the flashing and stripping. Area should be prepared down to a clean, sound, dry base.

Apply adhesive to prepared area. Trowel apply White Sheeting Bond in a uniform and continuous application 1/16” thick to prepared flashing substrate. Allow Sheeting Bond to remain exposed for 15 minutes prior to installing TPA Flashing Membrane into this adhesive. Adjust open time depending on ambient conditions.

Alternately, TPA Bonding Adhesive LV may be used to adhere TPA Flashings to the wall and out onto the roof membrane. Apply adhesive to the back of the TPA Flashing and onto the substrate, in a contact cement application.

Adhere TPA Flashing Membrane in adhesive, using care to avoid wrinkles and voids. Use a steel hand roller to apply consistent pressure to achieve full adhesion of the membrane to the flashing substrate. TPA Flashing Membrane must fully conform to all angle changes, with no bridging or voids.

Overlap vertical flashing seams a minimum of 4”. Heat weld vertical overlap seams, minimum width of 2”. Prior to hot air heat welding, make sure lap interface materials are clean of dirt and moisture.

Seal inside and outside corners using Non-Reinforced TPA Membrane or TPA Inside/ Outside Corners applied by hot air heat welding.

Strip in base of TPA Flashing Membrane with a first course of Rock-It Adhesive followed by a stripping ply of BURmesh or PermaFab Polyester Reinforcing Fabric. Top dress these stripping courses with specified roof

surfacing, such as the Rock-It Surfacing System, Flood and Gravel, TremLastic SP and granules, or ICE Coating.

No additional coatings are necessary for TPA Flashing Membrane. If a protective coating is required, special surface preparation may be necessary. Tremco SP Primer is required prior to application of ICE Coating, Solargard 6083, and Polarcote FR. Allow TPA Flashing Membrane to be exposed to the elements for 30 days minimum prior to application of the Geogard Coating System.

POWERply MB Flashing Installation

Surface Preparation: Remove all dirt, dust, and other loose debris from the roof. Spud back all embedded gravel from the area. Area should be prepared down to a clean, sound, dry base.

Plan installation of POWERply MB membrane so flashing height is between 8" and 12" off the roof membrane and the sheeting extends 6" (152mm) from the base of the cant onto the roof system.

All vertical end laps shall be overlapped a minimum 4".

A fully-coated backer sheet must be installed prior to the application of POWERply MB flashing.

POWERply MB Flashing which are up to 12" in flashing height may be installed in 10' runs. POWERply MB Flashings in excess of 12" in height must be installed in 3' (1 meter) roll widths.

Hot Asphalt Application:

For hot application, apply approved hot-melt adhesive to the substrate area in a uniform and continuous mopping at a coverage rate of 25 lbs. /SQ.

Immediately embed the backer sheet or POWERply membrane in the fluid hot adhesive. Apply consistent pressure to achieve full adhesion of the sheet to the flashing substrate. Sheeting must fully conform to all angle changes, with no bridging or voids.

Secure top edge of POWERply membrane to wall by nailing on 6" (152mm) centers or by using a termination bar fastened on 8" (203mm) centers.

Strip in base of flashing to roof system using a three course application of approved adhesive and 6" PolyTHERM roofing felt or a five course application of approved adhesive and THERMglass Roofing Ply.

As an alternate, Strip in base of flashing to roof system using a minimum three course application of ELS mastic and BURmesh.

Strip in vertical flashing laps with a minimum 3-course application of BURmesh set in ELS, Brush Grade Mastic, POLYroof LV or POLYroof SF. Exposed mastics may be covered with a reflective coating to extend service life.

Cold Adhesive Application:

For cold application, apply ELS, Brush Grade Mastic, Sheeting Bond (Black) or POLYroof SF to the area in a uniform and continuous layer at a coverage rate of approx. 15 ft²/gal.

Leave Sheeting Bond exposed 15 minutes minimum prior to membrane application. Adjust open time depending on ambient conditions.

Adhere the backer sheet and POWERply MB in flashing adhesive. Apply consistent pressure to achieve full adhesion of the sheet to the flashing substrate. Sheeting must fully conform to all angle changes, with no bridging or voids.

Secure top edge of POWERply MB membrane to wall by nailing on 6" (152mm) centers or by using a termination bar fastened on 8" (203mm) centers.

Strip in base of flashing to roof system and vertical flashing laps, using a three course application of BURmesh set in ELS, Brush Grade Mastic, POLYroof LV or POLYroof SF.

Stripping of POWERply MB flashing membrane may be eliminated only when POWERply MB Flashing is heat welded to the POWERply MB roof membrane substrate.

Surfacing: POWERply MB flashings may be coated with a reflective roof coating.

Multi-Ply Asphalt Flashings

Multi-ply asphalt flashings consist of 2 plies of a fully-coated base/ply sheet such as BURmastic Composite Ply HT or POWERply Base Sheet adhered with approved hot or cold applied adhesive. Type IV and VI fiberglass felts are not approved for use in multi-ply asphalt flashing systems.

Surface Preparation: Remove all dirt, dust, and other loose debris from the roof. Spud back all embedded gravel from the area. Area should be prepared down to a clean, sound, dry base.

Plan installation of multi-ply asphalt flashings so that flashing height is between 8" and 12" off the roof membrane and the sheeting extends 6" (152mm) from the base of the cant onto the roof system.

All vertical laps shall be overlapped a minimum 4".

Hot Asphalt Application:

For hot application, apply approved hot-melt adhesive to the substrate area in a uniform and continuous mopping at a coverage rate of 25 lbs. /SQ.

Immediately embed the backer sheet and flashing membrane in the fluid hot adhesive. Apply consistent pressure to achieve full adhesion of the sheet to the flashing substrate. Sheeting must fully conform to all angle changes, with no bridging or voids.

Secure top edge of multi-ply flashing to wall by nailing on 6" (152mm) centers or by using a termination bar fastened on 8" (203mm) centers.

Strip in base of flashing to roof system using a three course application of approved adhesive and 6" PolyTHERM roofing felt or a five course application of approved adhesive and THERMglass Roofing Ply.

As an alternate, Strip in base of flashing to roof system using a minimum three course application of ELS mastic and BURmesh.

Strip in vertical flashing laps with a minimum 3-course application of BURmesh set in ELS, Brush Grade Mastic, POLYroof LV or POLYroof SF. Exposed mastics may be covered with a reflective coating to extend service life.

Cold Adhesive Application:

For cold application, apply ELS, Brush Grade Mastic, Sheeting Bond (Black) or POLYroof SF to the area in a uniform and continuous layer at a coverage rate of approx. 15 ft²/gal.

Leave Sheeting Bond exposed 15 minutes minimum prior to membrane application. Adjust open time depending on ambient conditions.

Adhere the backer sheet and flashing membrane in flashing adhesive. Apply consistent pressure to achieve full adhesion of the sheet to the flashing substrate. Sheeting must fully conform to all angle changes, with no bridging or voids.

Secure top edge of multi-ply flashing to wall by nailing on 6" (152mm) centers or by using a termination bar fastened on 8" (203mm) centers.

Strip in base of flashing to roof system and vertical flashing laps, using a three course application of BURmesh set in ELS, Brush Grade Mastic, POLYroof LV or POLYroof SF.

Surfacing: Multi-ply asphalt flashings require the application of a reflective coating. Two coats are recommended for best coverage.

HEAT WELDING PROCEDURE

Laps: Heat-weld all modified bitumen membrane side laps and end laps with a Leister Bitumat B2 heat seaming unit, following the unit manufacturer's instructions. Heat welding units used for thermoplastic membranes are not permitted for heat welding of Modified sheet membrane laps and seams.

1. Accurately align roofing membrane sheets, without stretching, and maintain uniform side and end laps. Stagger end laps. Install roofing membrane sheets so side and end laps shed water. Completely bond and seal laps, leaving no voids.
2. Membrane Seaming Overview:
 - a. Clean seam area including overlap roofing membrane according to manufacturer's written instructions to ensure a watertight seam installation.
 - i. Clean the overlapped bitumen sheets of debris and contaminants.
 - ii. All surfaces shall be clean and dry. Ensure both mating surfaces are free of debris and no moisture is present on the splicing surfaces.
 - iii. Thoroughly clean seam area at least 4 inches wide on both sheets.
 - b. When welding granular-to-granular sheets with the BITUMAT B2 automatic hot air welder, there is no need to degranulate.
 - c. Using an approved automatic heat welding machine or hand held heat gun and steel roller, continuously weld a 4-inch wide seam.
 - i. Minimum weld width is 4 inches.
 - ii. Entire selvage edge shall be sealed without voids or exposure of selvage edge.
 - iii. Cut out and repair side laps, which are not completely sealed.
 - d. Heat output can be adversely affected by improper balance of temperature, speed, air volume and pressure, as well as external factors, such as moisture, humidity, ambient temperature and direct sunlight.
 - i. Adjust welding speed and temperature based upon ambient conditions and material.
 - e. Insert the nozzle tip of the hot air welder into seam area. Move nozzle at a steady speed along the seam area, immediately applying pressure behind the air nozzle with a neoprene roller or weighted wheel to ensure positive contact of the heated modified bitumen roof membrane lap.
 - f. Special attention must be paid to areas where multiple layers of cap sheet membrane (3 or more) join together (T-joints).
 - i. If probing these areas reveals the presence of unrepairable voids or cold welds, install a minimum 6" round field cut membrane patch over the formed T-joint.
3. Automatic Hot Air Welding Machine Preparation:
 - a. Apply silicone lubricant any part of the machine that may be exposed to splattering bitumen, including:
 - i. Hot-air blower
 - ii. Nozzle tube (not the flat nozzle end)
 - iii. Undercarriage
 - iv. Drive roller
 - v. Air dam and guide wheels
 - vi. Hot-air blower slide bar

- b. This silicone will serve as a buffer between the melted bitumen and the machine's surfaces, making it easier to clean. Make sure to complete lubrication step before turning the machine on, as aerosol spray may be combustible.
 - c. Plug the power cord into the power source outlet. Snap the cord clip onto the cord holder to ensure the cord doesn't get entangled in the machine.
 - d. Turn the machine on with the power switch. Using the temperature, speed and air volume dials; configure the heat welding machine according to the job's requirements.
 - e. After the welder has warmed up, run a test weld on scrap material to make sure the temperature, speed and air-volume settings are properly configured for the job. If the test weld fails, make any necessary adjustments to the machine's settings before moving on.
4. Test Weld for Automatic Hot Air Welding Machine:
- a. To ensure proper heat output, perform a test weld on scrap material to make sure the proper settings are in place. To perform a test weld:
 - i. Cut two, 10-foot long strips of cap ply sheeting.
 - ii. With the configured and warmed-up automatic hot air welder, weld the two strips together.
 - iii. A good weld should produce a bead of bitumen along the edge of the seam.
 - iv. Using a hook-blade, cut three-to-five 2-inch strips perpendicular to the seam. Strips should be cut from the beginning, middle and end of the test weld to ensure quality throughout.
 - v. As soon as the bitumen surface over the seam weld is the same temperature as the rest of the material surface, tear the strips apart. A quality weld should reveal the scrim, or netting, of the bitumen material.
5. Automatic Hot Air Welding Machine Operation:
- a. When the test weld is approved, position your properly configured automatic heat welding machine on top of the cap ply seam.
 - b. Swing the guide roller down and align it with the seam edge.
 - i. Align the drive roller with the seam edge, but place it approximately 3/8-inch off the edge. This will help to keep the roller clean.
 - c. Stand in the welding position behind the welding machine with the guide bar directly in front of you.
 - d. Engage the lifting device by pushing the handle away from you. This will pick the drive roller up off the bitumen sheet.
 - e. Turn on the drive switch to start the drive roller. The machine will not begin moving as long as the lifting wheel is engaged.
 - f. Pull up on the locking lever, lower the hot-air blower, and slide the nozzle between the overlapped bitumen.
 - g. Count to three and then pull back on the lifting wheel lever. The machine will begin moving right away, so make sure to have a firm grip on the guide bar.
 - h. Guide the heat welding machine along the seam edge using the guide bar.
 - i. Do not push or pull the machine. Simply steer it so the guide roller tracks the seam edge.
 - ii. Remember to keep the drive roller approximately 3/8-inch off the seam edge to avoid melted bitumen sticking to it.

- iii. Keep the nozzle completely between the overlapped bitumen. If the nozzle's air holes are exposed they will spray melted bitumen on the machine, material surface, and potentially your clothes and skin.
 - i. At the end of the weld, immediately pull up on the locking lever, slide the hot-air blower away from the machine and then swivel it up into locked position.
 - j. Press in the drive switch to stop the drive roller and remove welder from seam area. Where needed, complete welding process using a hand held heat gun.
 - k. Refer to manufacturer's approved automatic heat welding machine or hand held heat gun operating guide for detailed application instructions.
6. Test lap edges with probe to verify seam weld continuity.
- a. All welded seams must be manually checked for voids or seal deficiencies by probing the entire seam area with a dull cotter key extractor after the seam has cooled. Properly constructed laps will not separate at the lap interface when tested.
 - b. In addition, destructive testing may be required at the beginning of every workday and every time there is an interruption in the welding process (i.e. Power failure, welder shut down and job site conditions change). Test cut and all deficiencies must be repaired immediately
 - c. Repair tears, voids and lapped seams in roofing membrane that do not meet requirements listed above.

SCOPE OF WORK – MB BLISTER, COLD APPLIED REPAIR (11-13)

1. Cut into the blistered modified membrane and remove the entire unadhered portion of the blistered membrane. Avoid cutting deeper into ply(s) which are solidly adhered. Trim edges of membrane neatly to the bonded edge.
2. Scrape uneven bitumen layers to a smooth even surface. Dry surface by blowing hot air onto exposed ply area using a handheld Leister gun at a medium to high heat setting. Maintain adequate distance of heat gun to surface to assure bitumen does not ignite or smolder.
3. Using minimum 1 layer of compatible membrane/ply, cut-to-fit the membrane/ply exactly within the exposed ply area where the blister was removed. Match the number of ply(s) removed with the number of new ply(s). Embed the cut-to-fit ply(s) in a thin troweling of compatible roof cement applied at approximately 30 wet mils (per layer applied). Press/roll the cut-to-fit membrane/ply so it is solidly adhered, smooth, and even with the substrate.
4. Mark off the area of the existing membrane surrounding the blister repair to apply a patch of compatible MB surfacing membrane. Final patch shall be neatly cut and squared, maintaining a minimum 8” distance from the blister.
5. Apply MB surface membrane patch in a layer of compatible membrane adhesive or roof cement. Apply at a coverage rate of 30 wet mils, which is approximately 2 gal/SQ.

SCOPE OF WORK; MB BLISTER – TORCH REPAIR:

1. Cut and remove the entire unadhered part of the modified bitumen cap membrane. Do not extend cut into base membrane which are solidly adhered.
2. Trim and reset POWERply membrane to fit in cutout. Assure exposed ply area is fully dry, then heat weld exiting MB cutout back into place.
3. Prime surface with asphalt primer such as Tremprime QD or Tremprime LV and allow to dry. Do not overprime.
4. Heat weld torch grade POWERply MB over blister cutout. Assure topping membrane is neatly squared off. Dimensions shall extend a minimum 6” beyond repair in each direction.

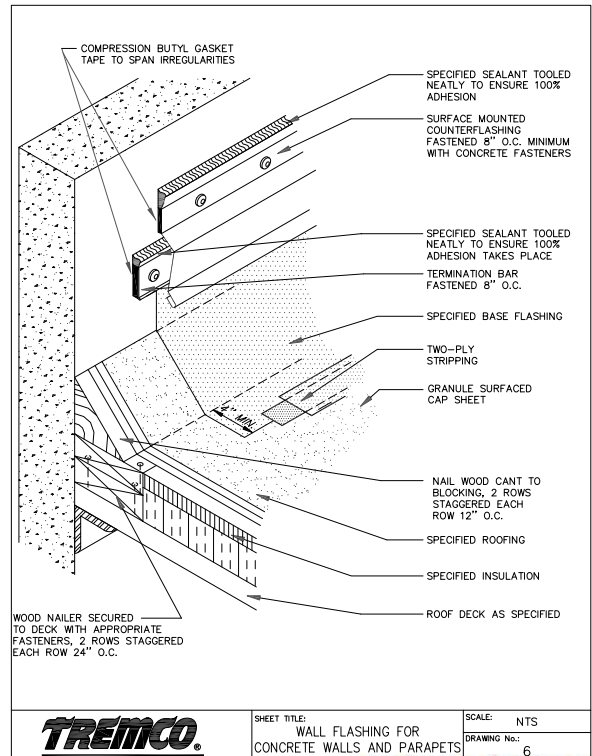
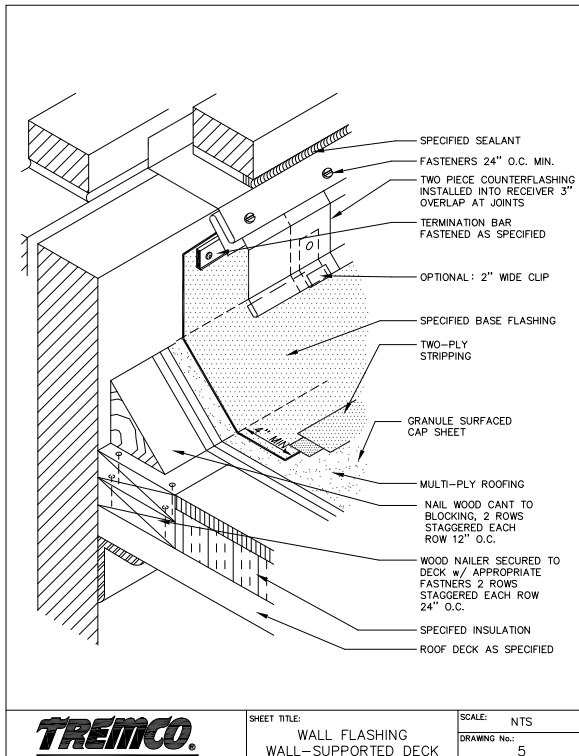
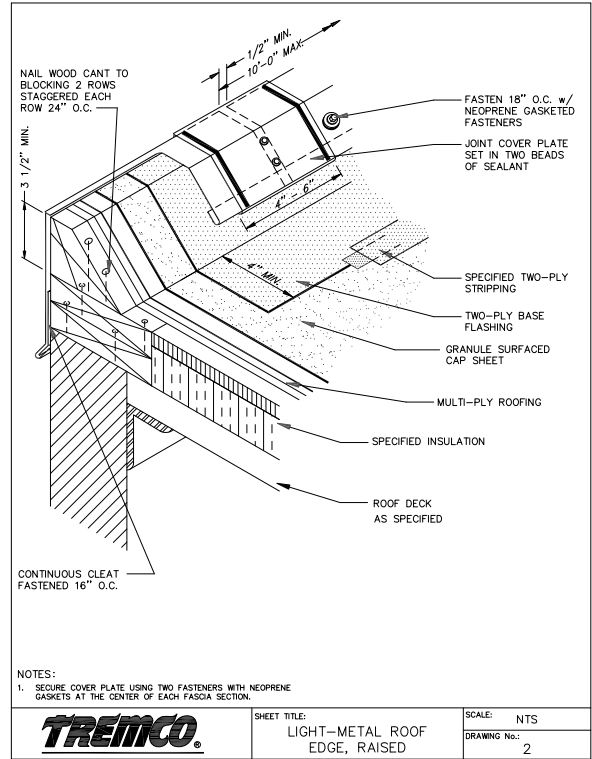
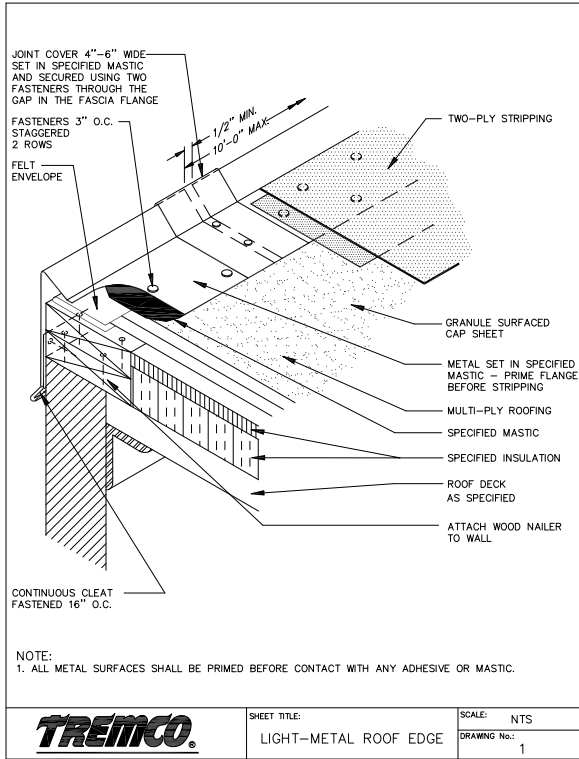
SEAM REPAIR ON POWERPLY:

Materials:

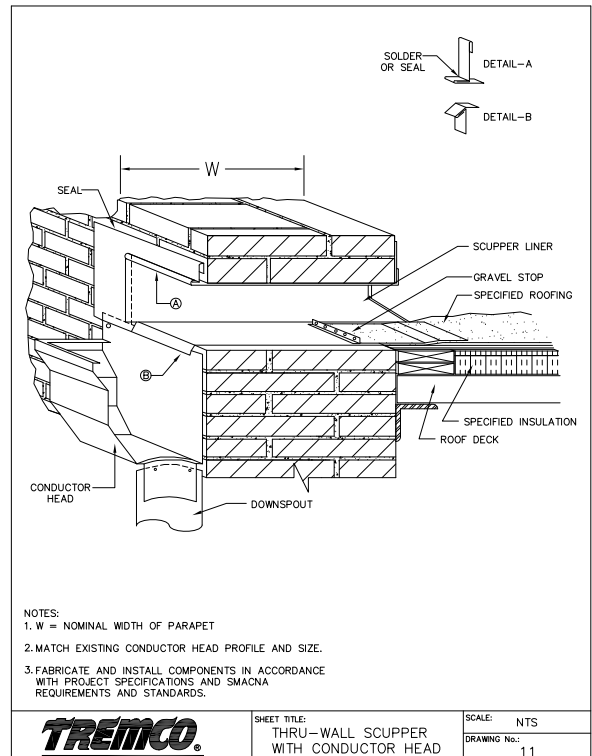
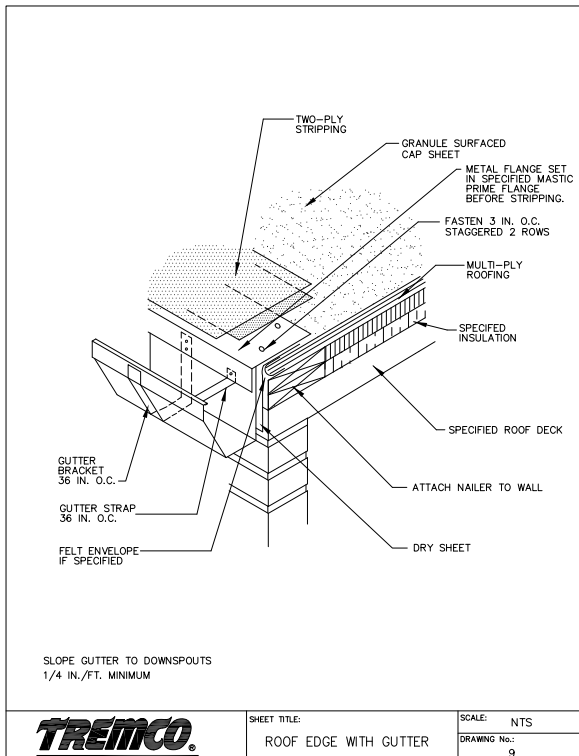
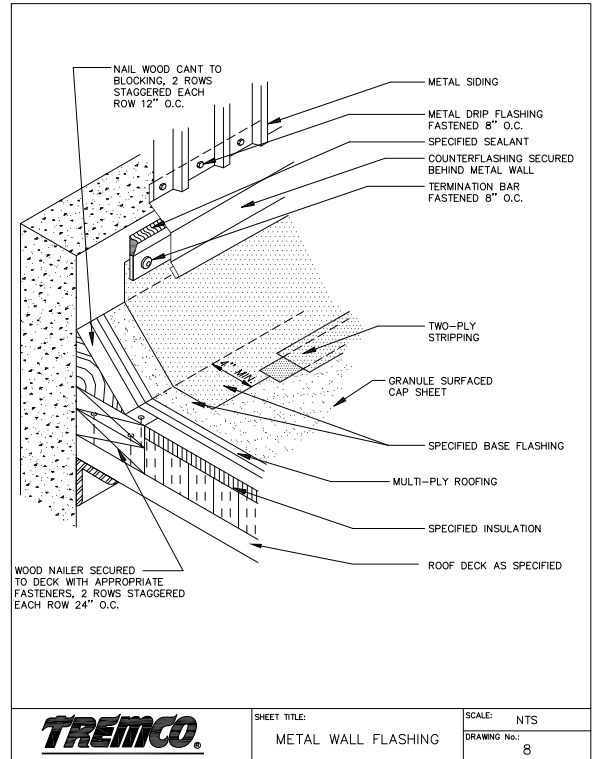
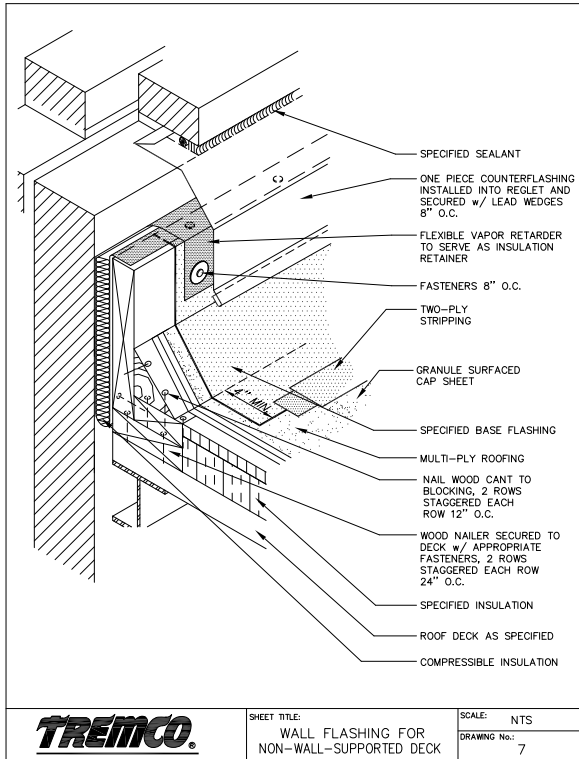
- **PermaFab Polyester**
- **AlphaGuard BIO Top Coat – White**

1. Assure substrate areas where material will be applied is clean and dry.
2. Cut out and remove loose and curled roof membrane and/or existing coating to assure a flat substrate.
3. Apply AlphaGuard BIO Top Coat (White) at 20 to 25 wet mils (approx. 1.5 gal/SQ) in a 5” wide pass centered over the area to be repaired.
4. Set PermaFab into wet AlphaGuard BIO Top Coat. Do not allow first layer of AlphaGuard BIO to skin or cure prior to application of PermaFab.
5. Apply AlphaGuard BIO Top Coat (White) over freshly applied PermaFab at 20 to 25 wet mils (approx. 1.5 gal/SQ) while applying tension and pressure to PermaFab.
6. Assure PermaFab polyester is fully saturated with AlphaGuard BIO Top Coat and flat to the substrate without voids underneath.
7. Allow materials to cure 24 hours prior to opening area to foot traffic.

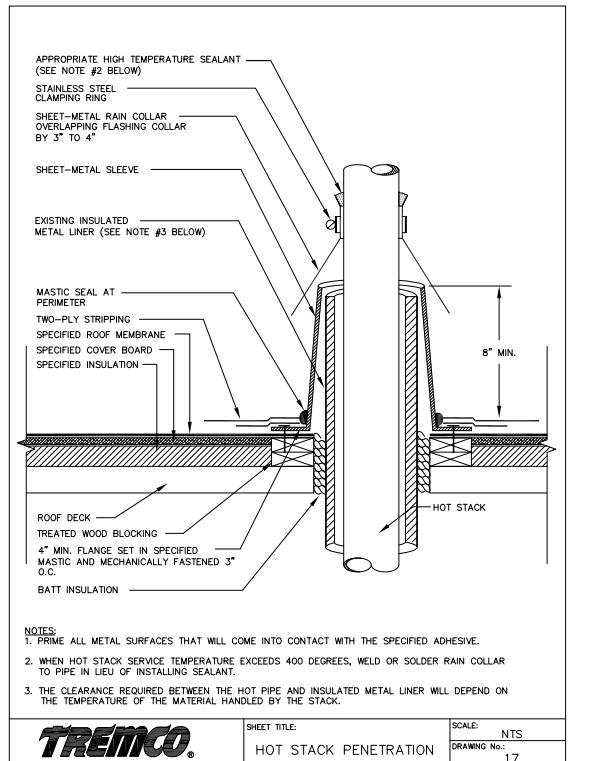
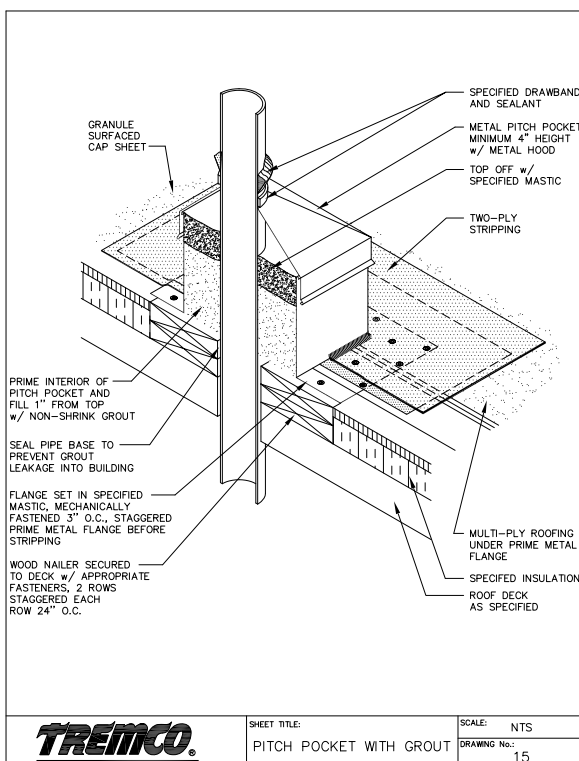
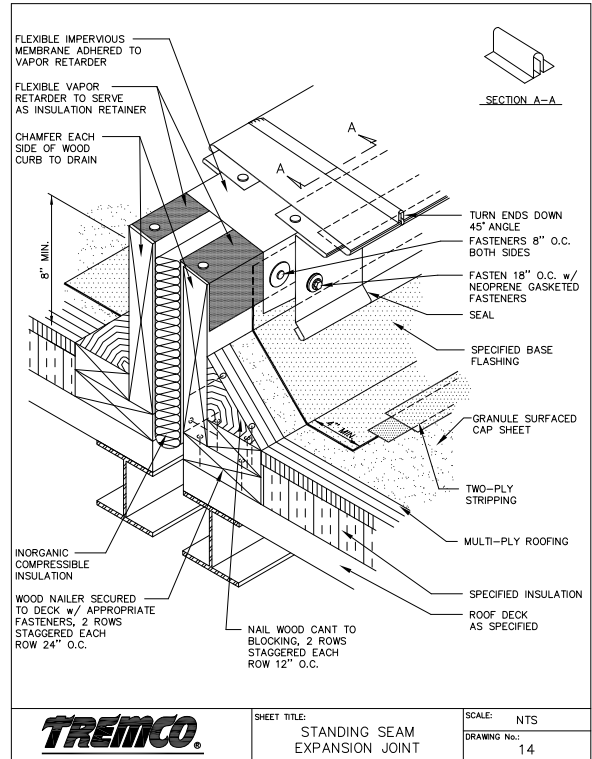
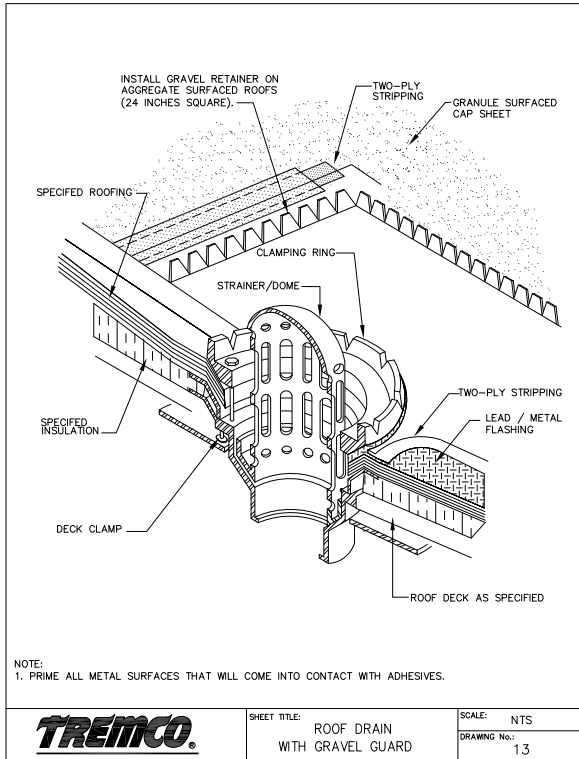
POWERply DETAIL DRAWINGS:



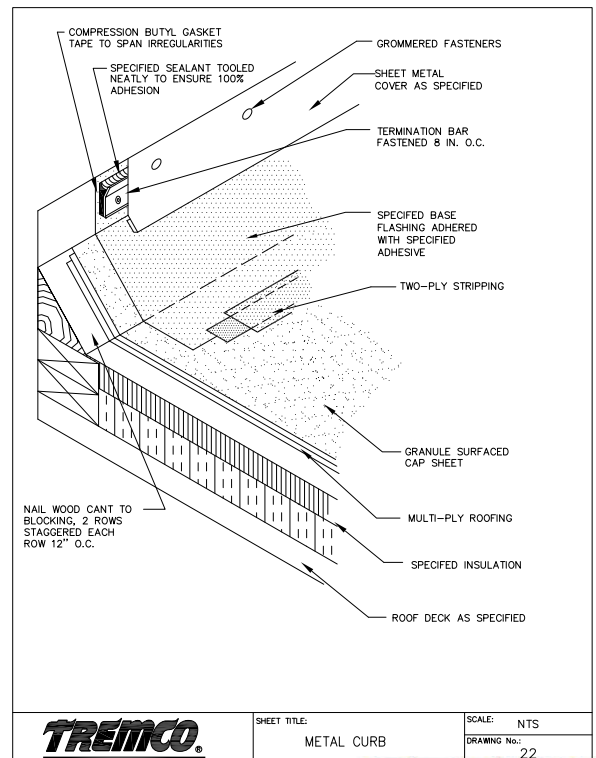
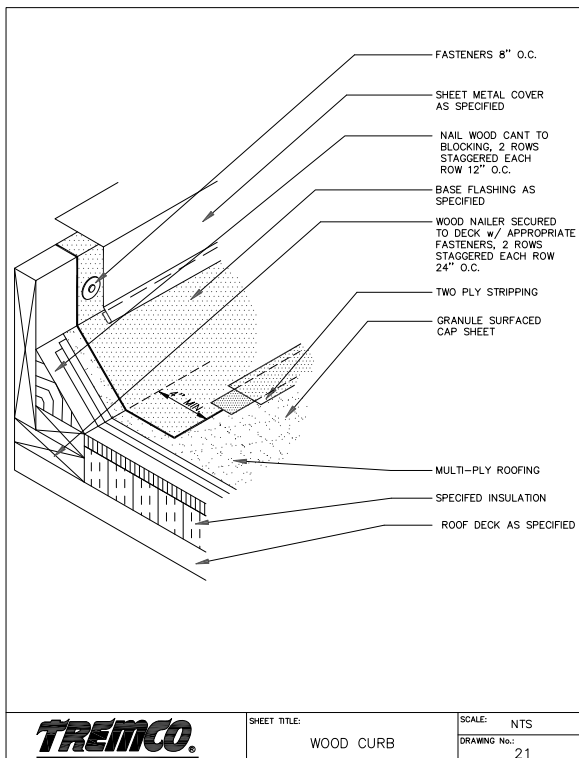
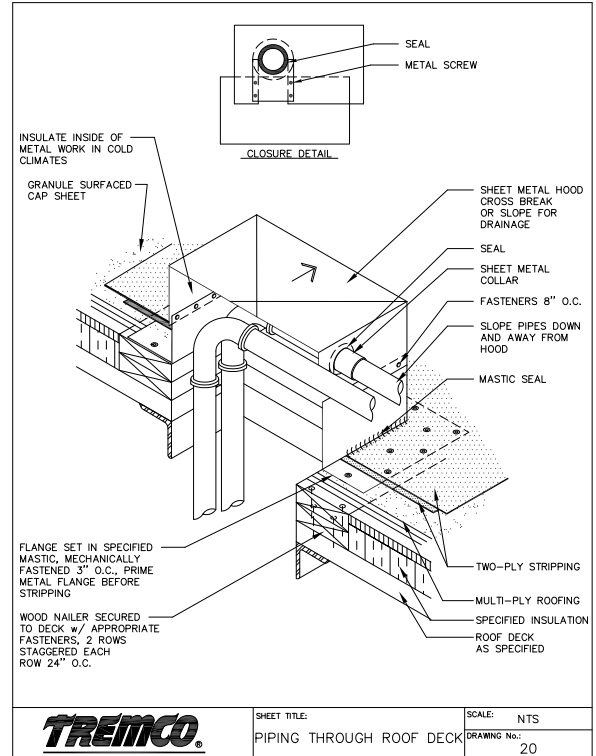
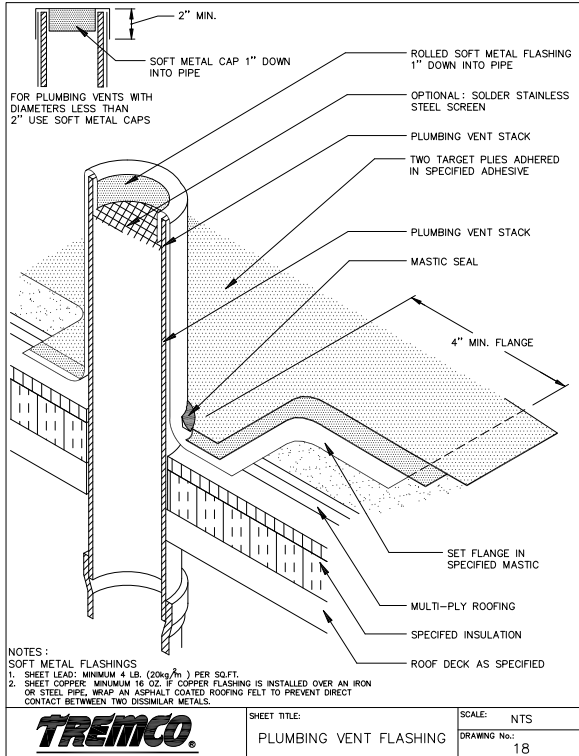
POWERply DETAIL DRAWINGS:



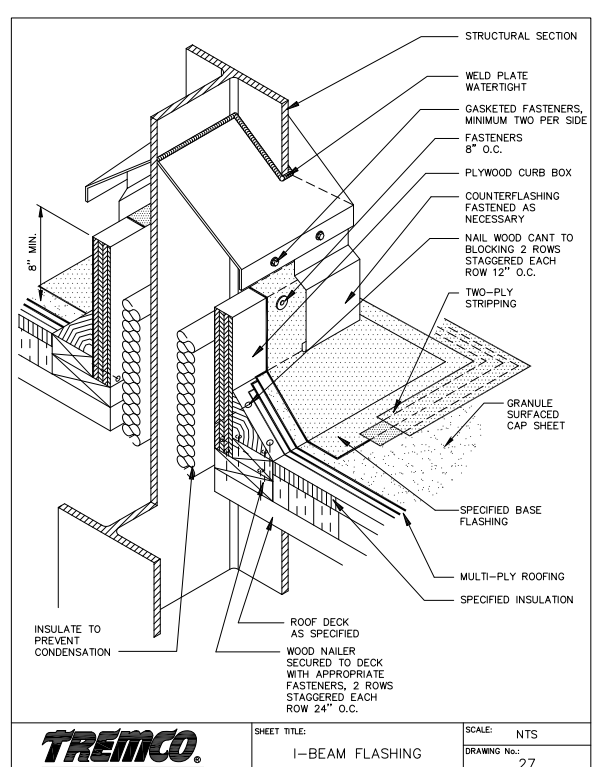
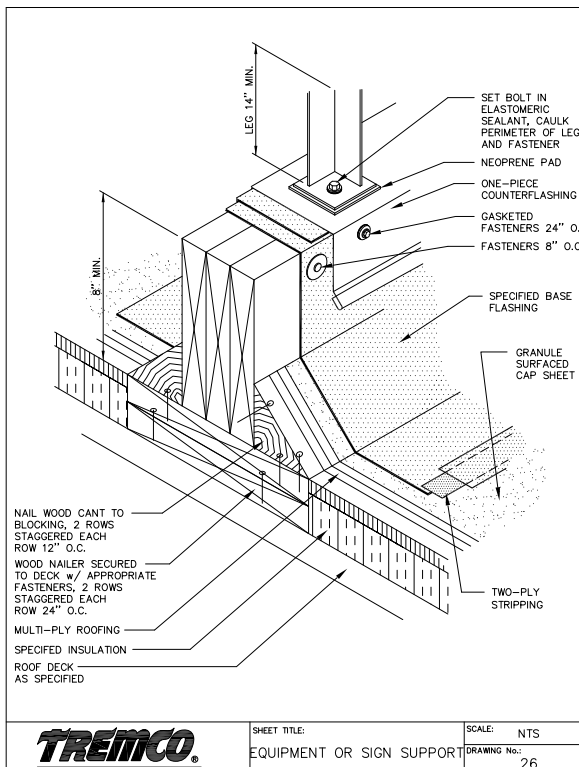
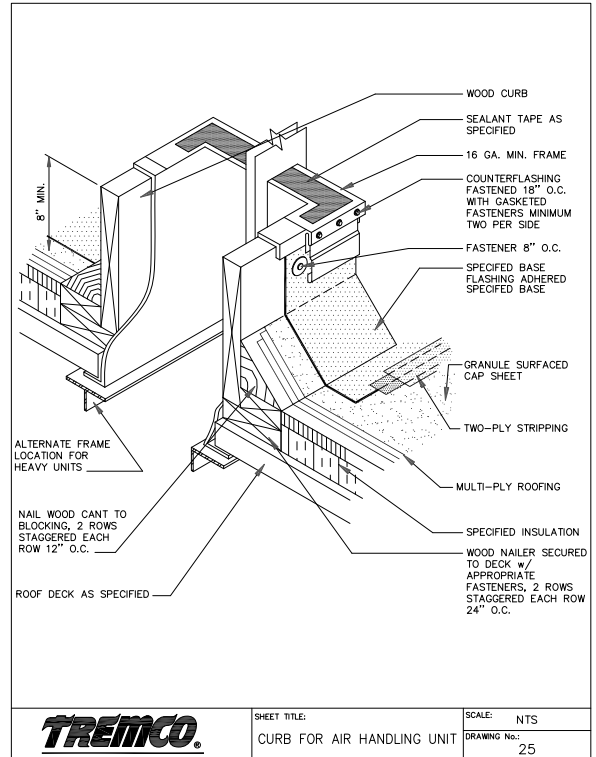
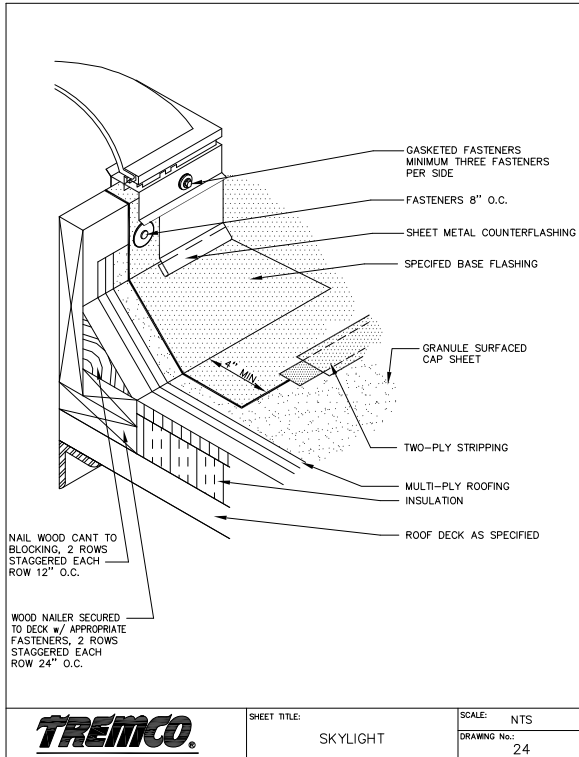
POWERply DETAIL DRAWINGS:



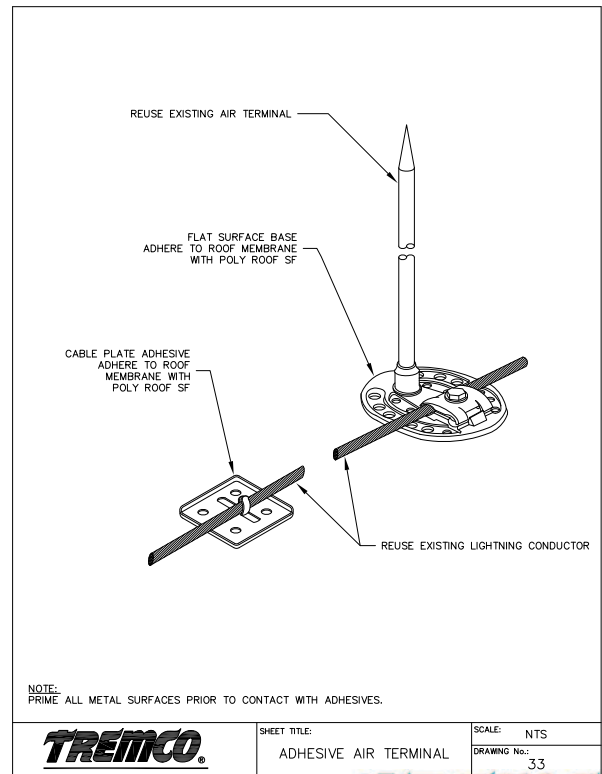
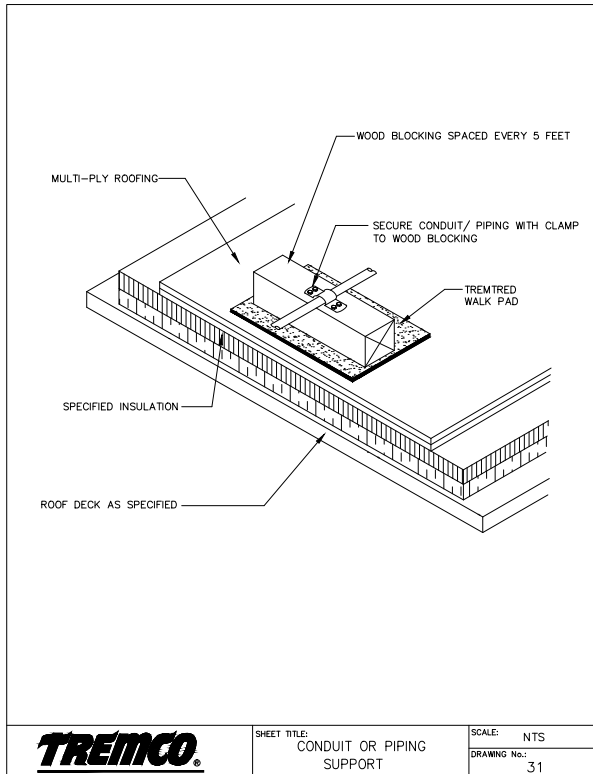
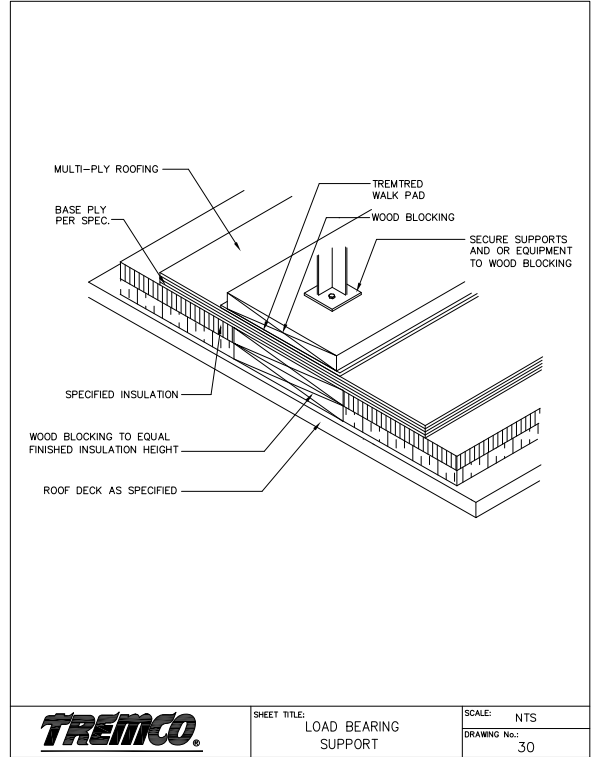
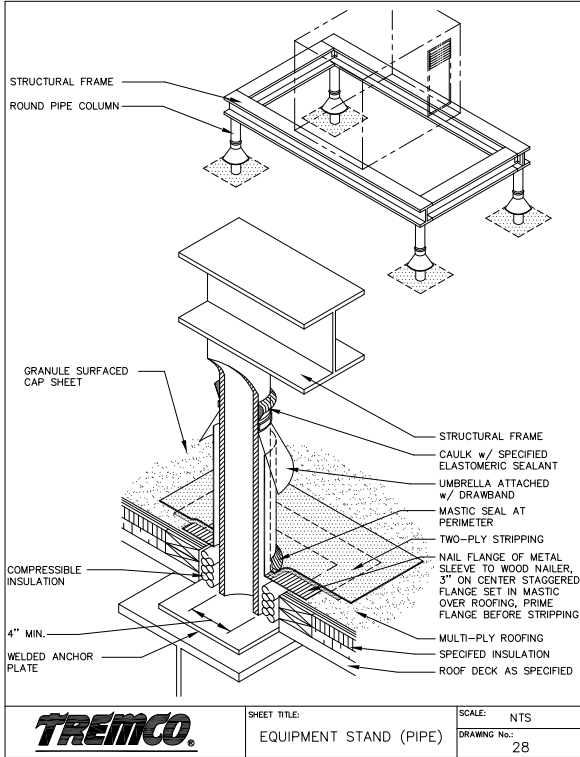
POWERply DETAIL DRAWINGS:



POWERply DETAIL DRAWINGS:



POWERply DETAIL DRAWINGS:



©
P
O
W
E
R
P
L
Y

