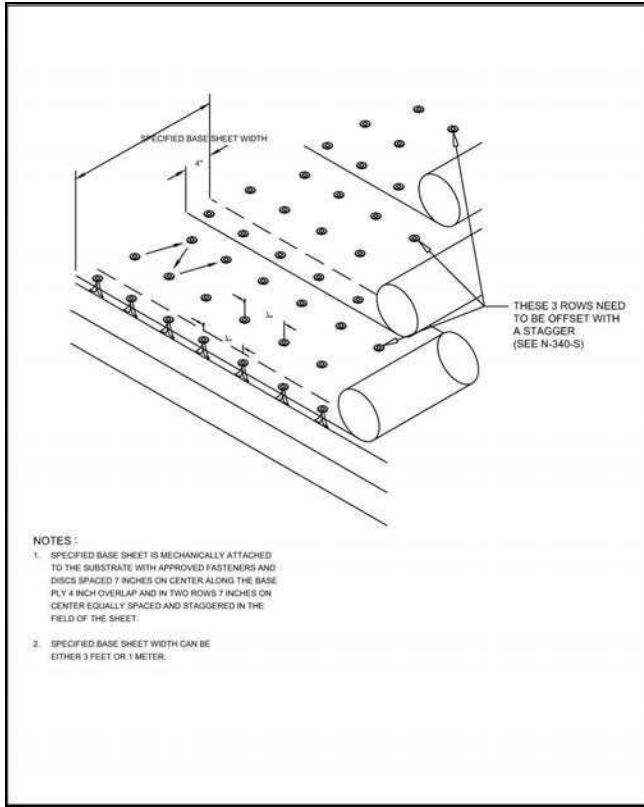
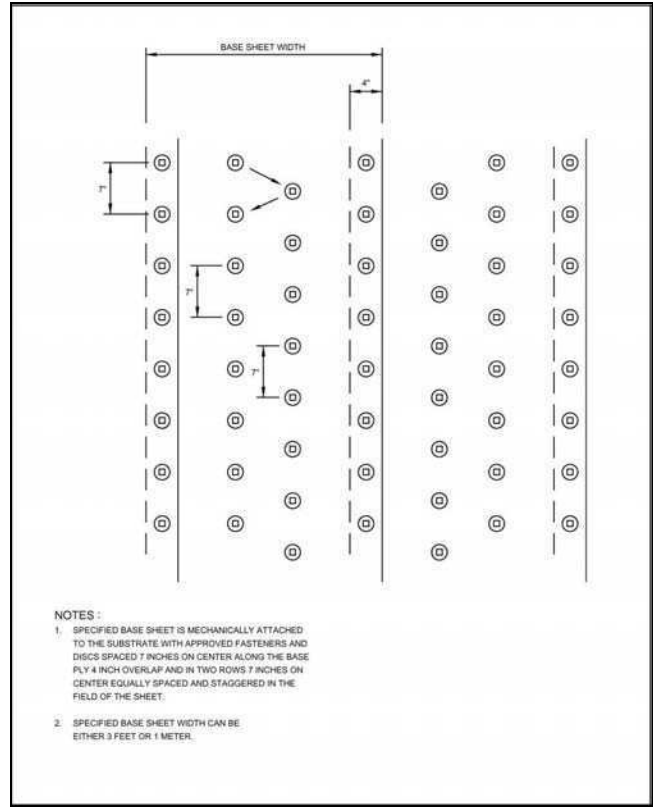


Detailed Drawings
Single Ply

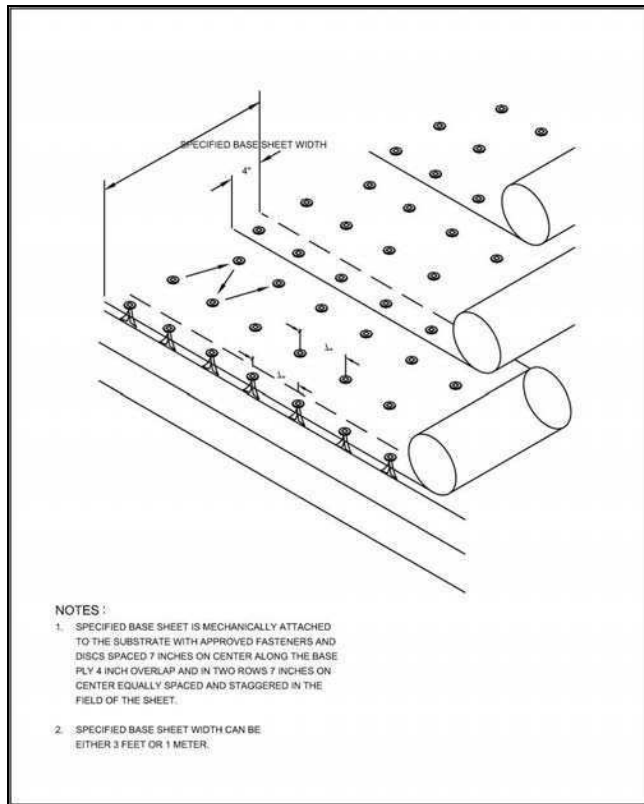
N-340 Base Sheet Attachment to Nailable Substrate



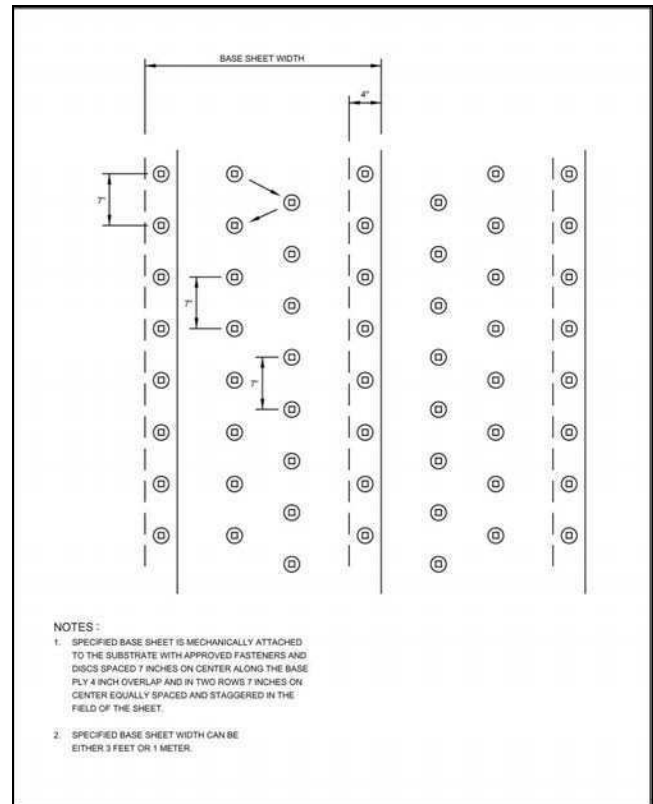
N-340-S Base Sheet Attachment to Nailable Substrate



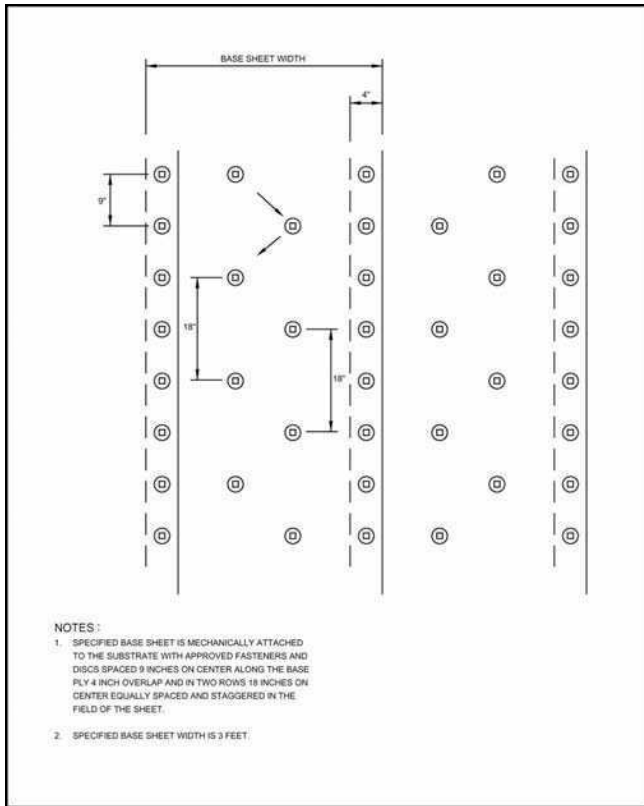
L-340 Base Sheet Attachment to Lightweight Concrete



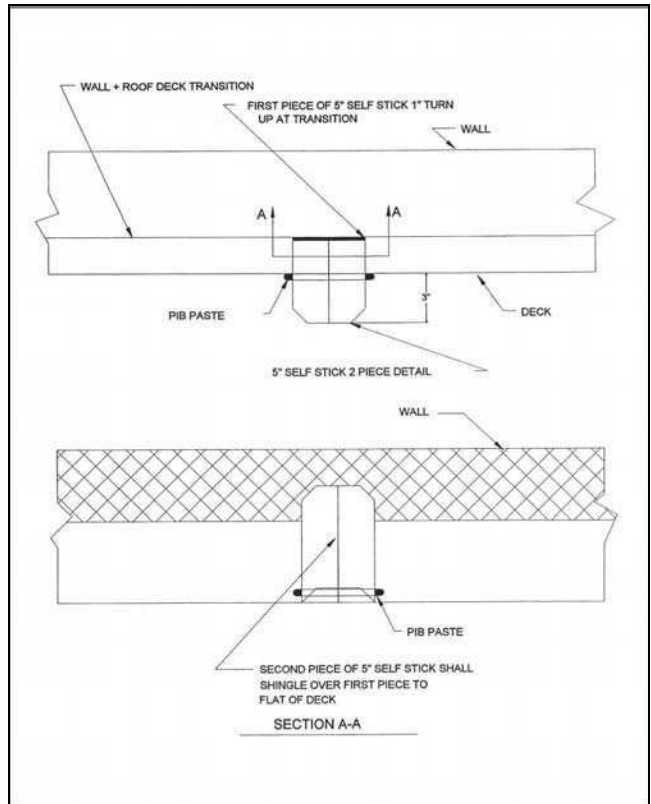
L-340-S Base Sheet Attachment to Lightweight Concrete



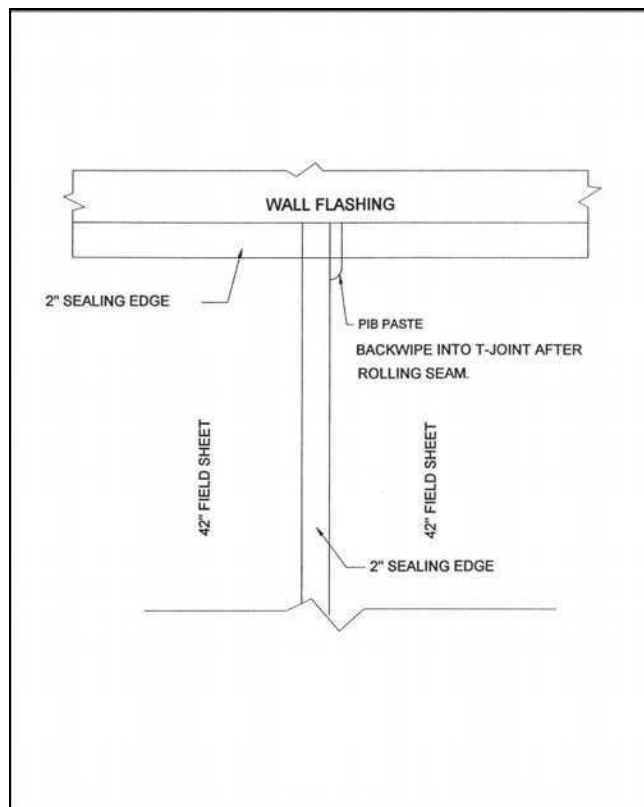
G-340-S Base Sheet Attachment to Gypsum & Tectum



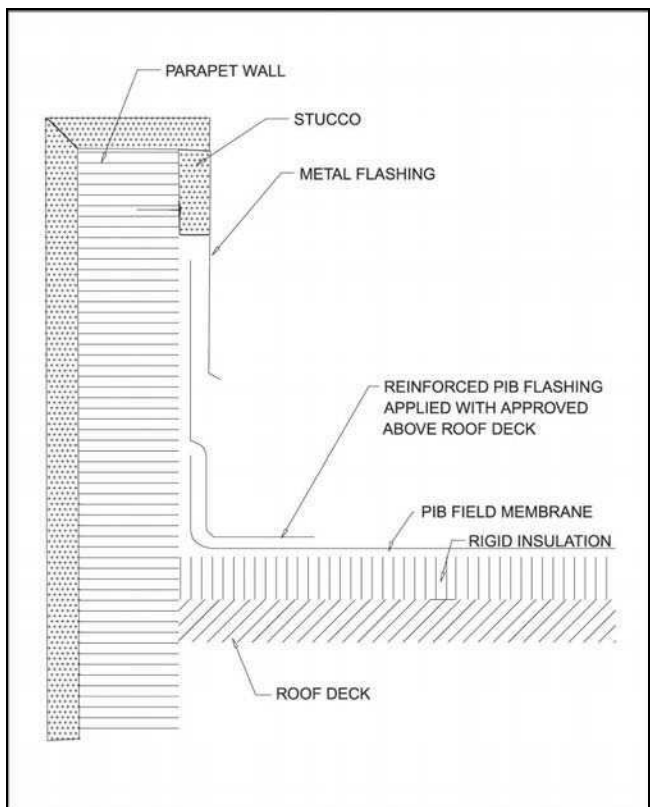
401 Wall Splice Joint



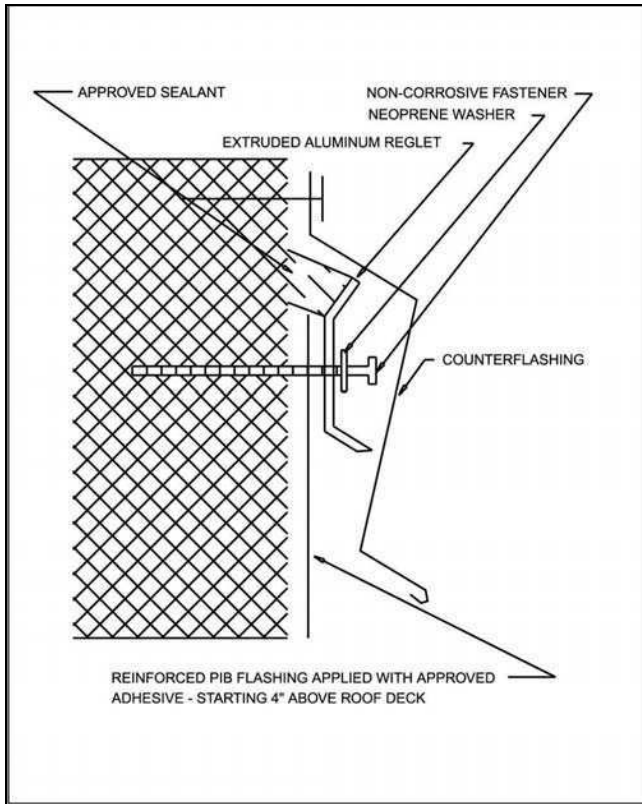
402 T-Joint Detail



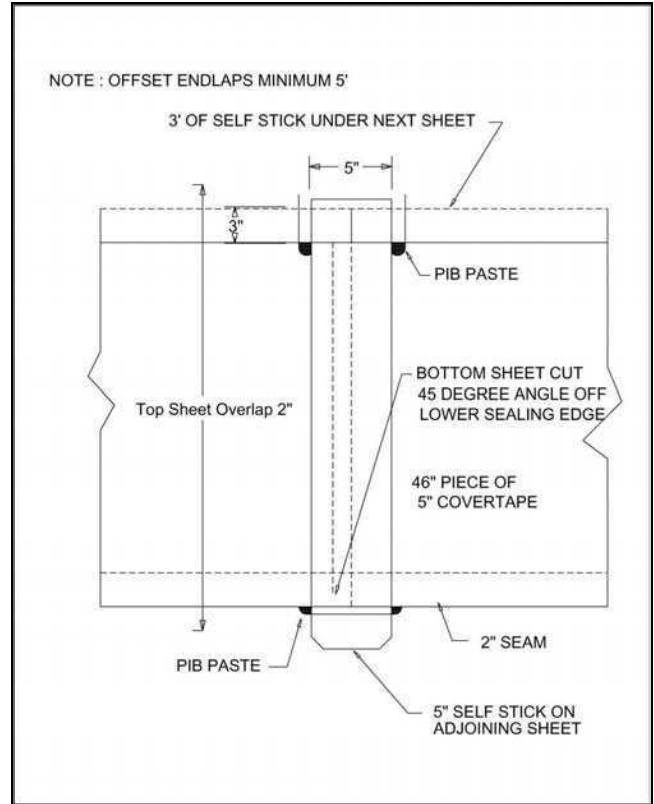
403 Stucco Stop Flashing



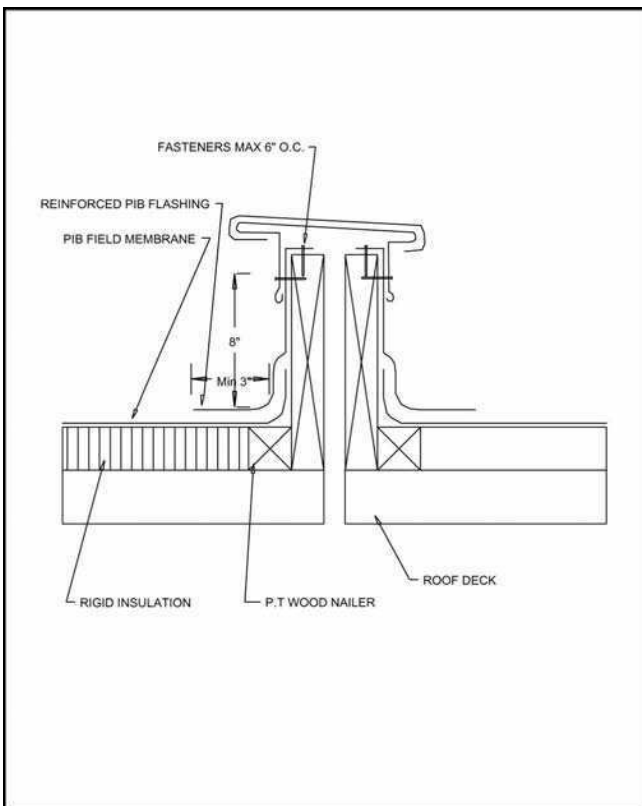
404 Surface Mounted Reglet



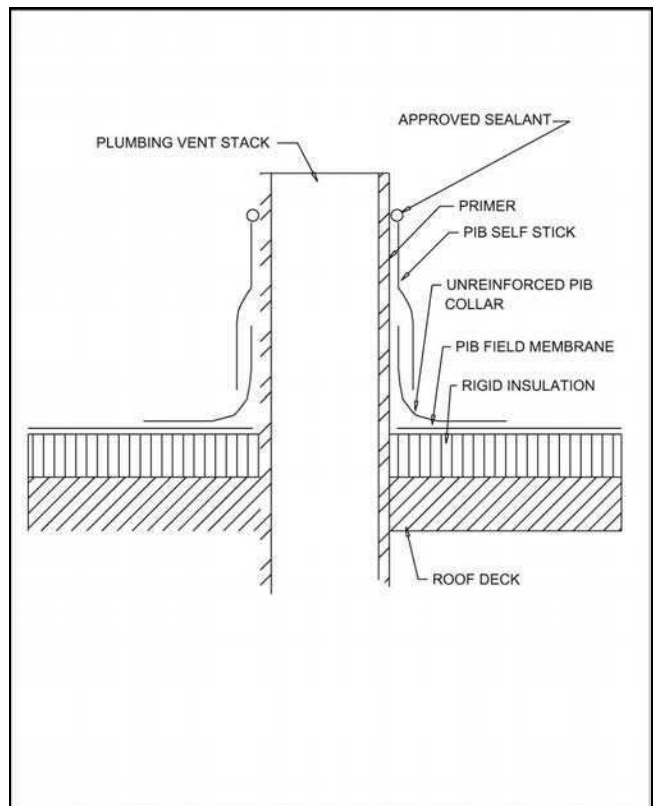
405 Staggered Endlap Detail



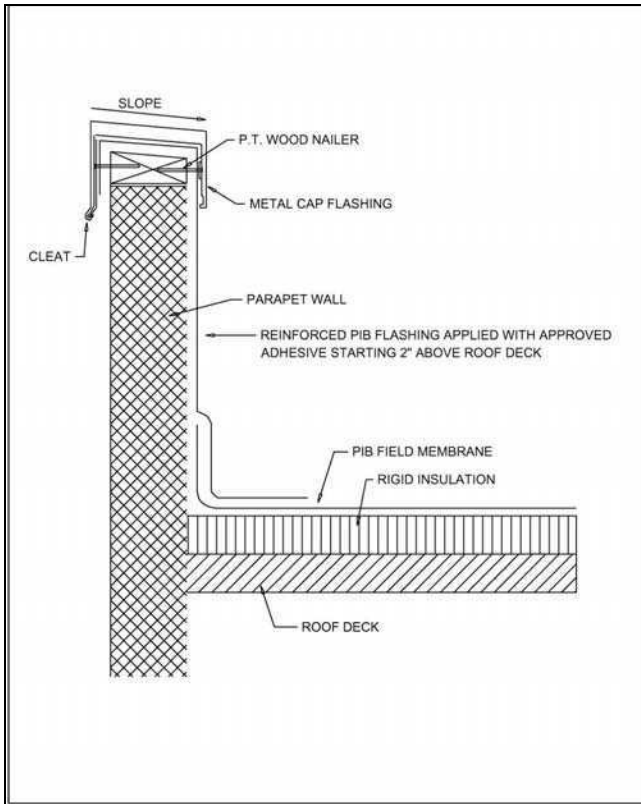
406 Raised Expansion Joint



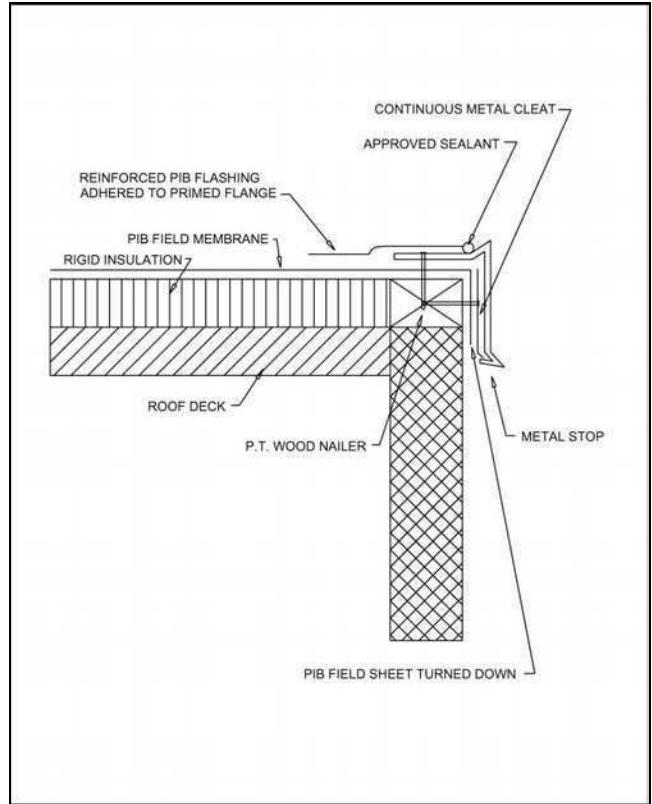
408 Plumbing Vent or Conduit Flashing



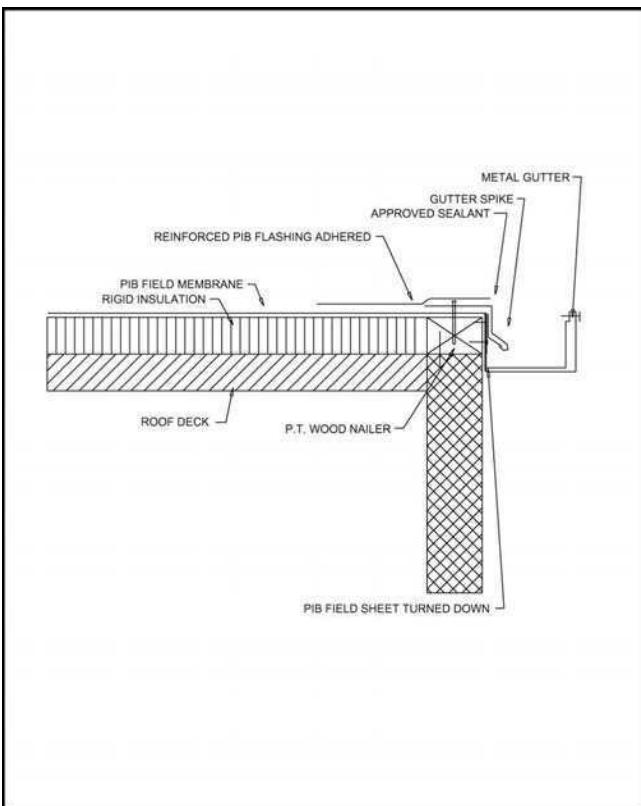
410 Parapet Flashing



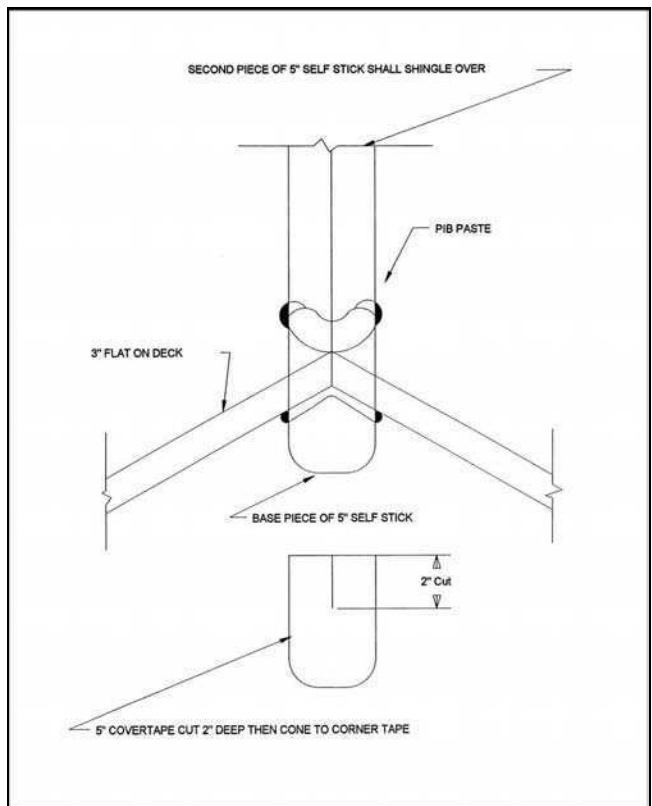
412 Metal Stop



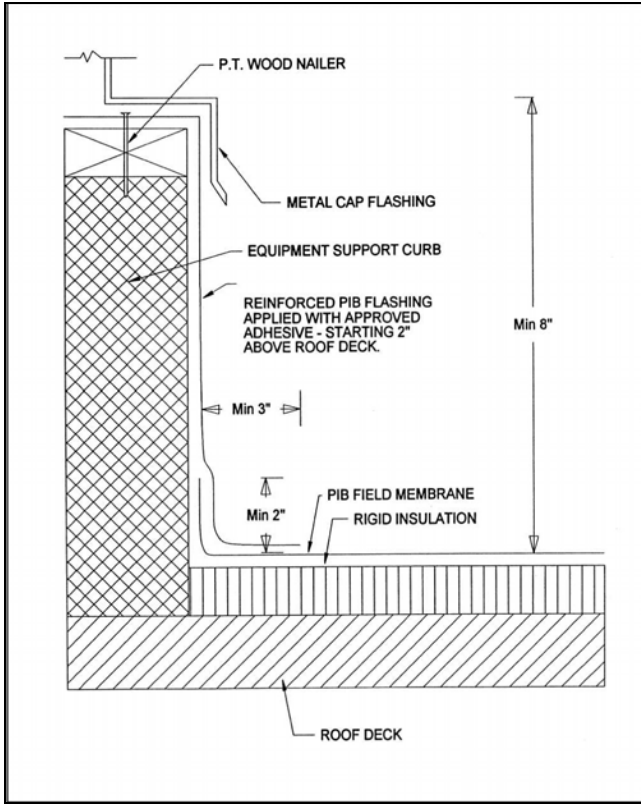
415 Metal Gutter



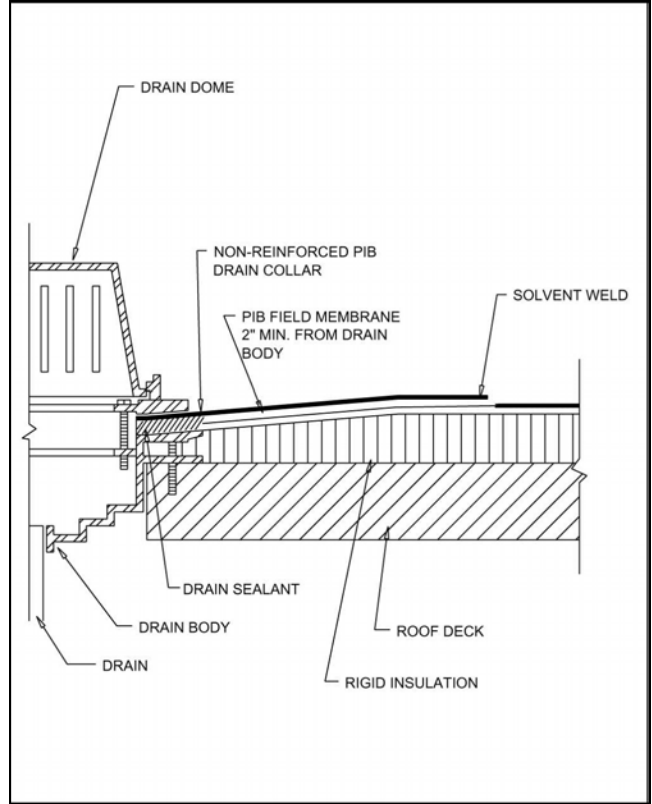
418 Inside Corner Detail



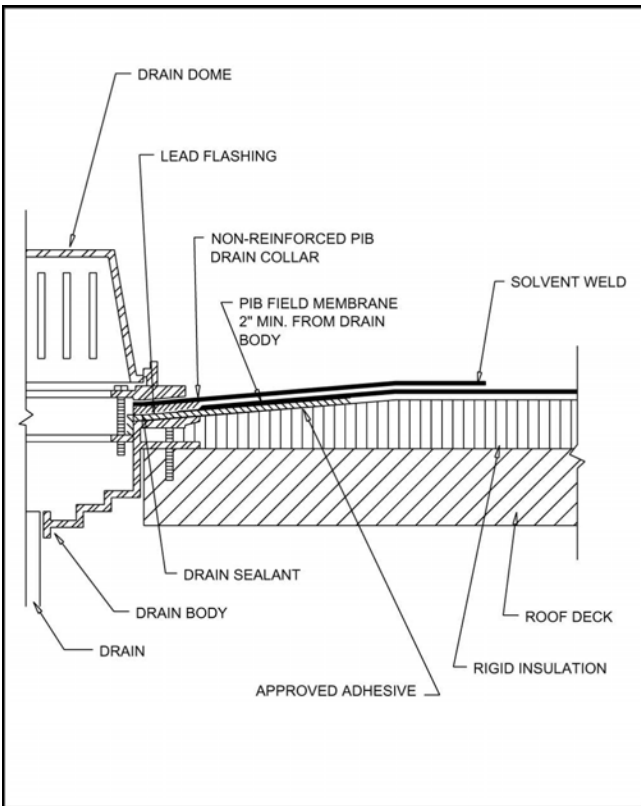
419 Equipment Support Curb



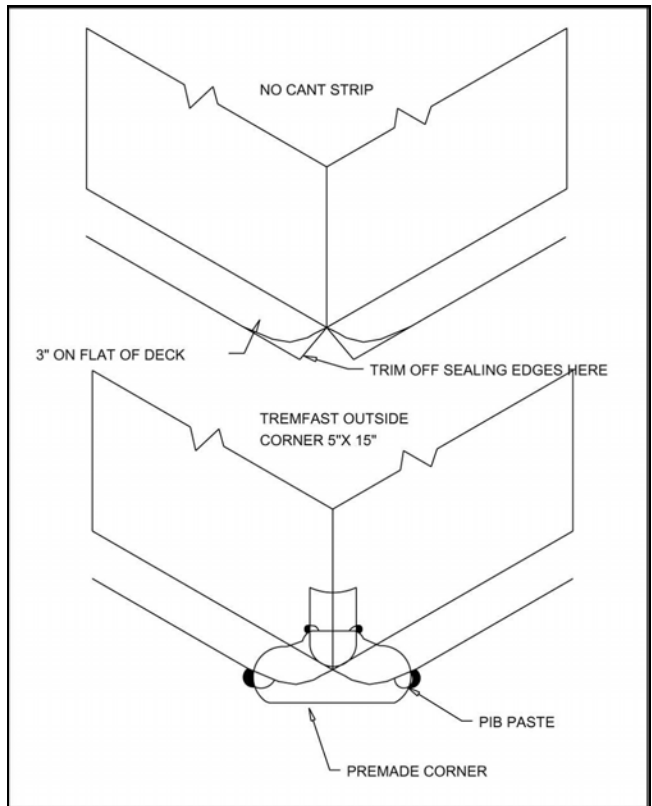
420 Roof Drain Flashing



421 Roof Drain Flashing

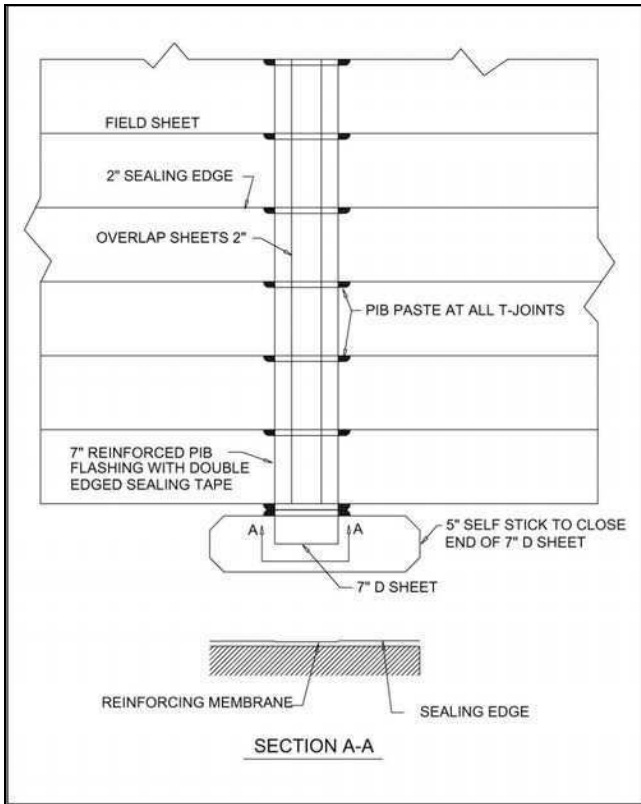


422 Continuous Wrapped Corner

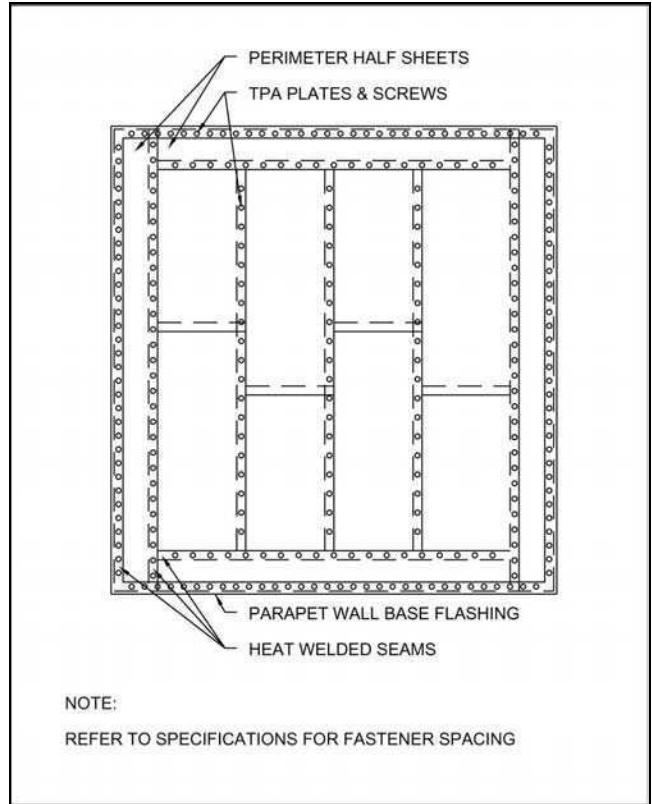


Single Ply

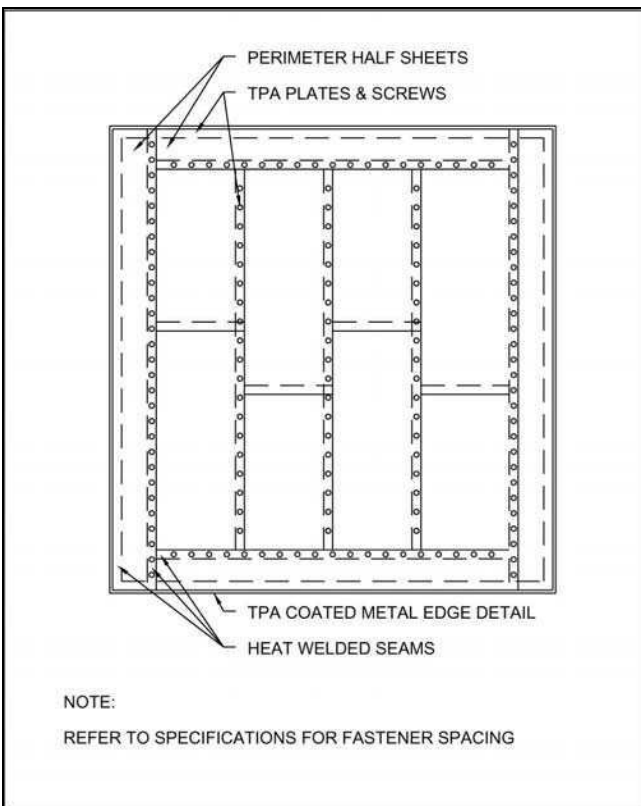
424 Continuous Endlap Detail



TPA-101 Roof Membrane Layout - Wall



TPA-102 Roof Membrane Layout - Coated Metal



TPA-103 Roof Perimeter Fastening Plan Detail

