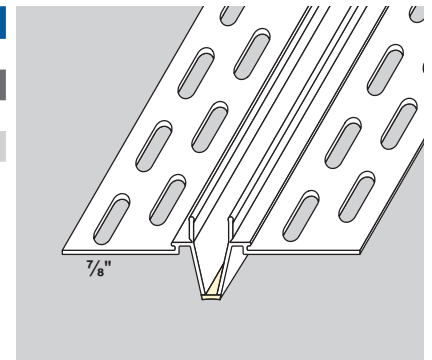
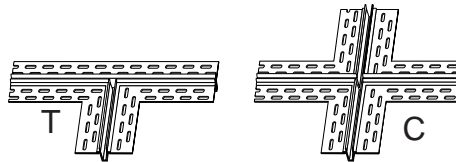


## 093V Expansion

- Deep rigid PVC "V" is joined at the bottom with a flexible connection allowing a full  $\frac{3}{8}$ " in controlled movement
- Tear off strips protect the center from mud, and act as guide for a taping knife
- UV stabilized
- Requires proper backing on fire rated walls

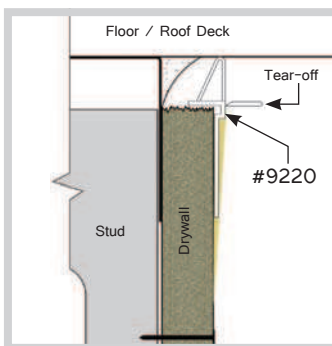
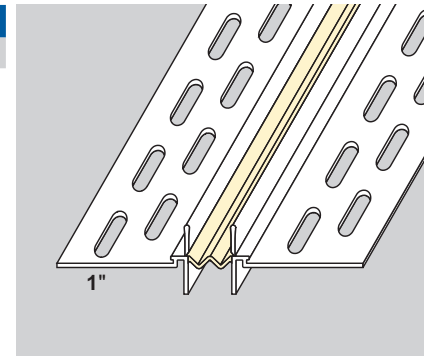
STOCK NO.	LENGTH	PCS. PER BOX
093V	10'	20
INTERSECTIONS		
093VC		10
093VT		10



## Hideaway Expansion

- A low profile alternative to 093V, the soft center "W" flexes for a full  $\frac{3}{8}$ " in controlled movement
- Tear off strips protect the center from mud, and act as guide for a taping knife
- UV stabilized
- Requires proper backing on fire rated walls

STOCK NO.	LENGTH	PCS. PER BOX
2710	10'	25

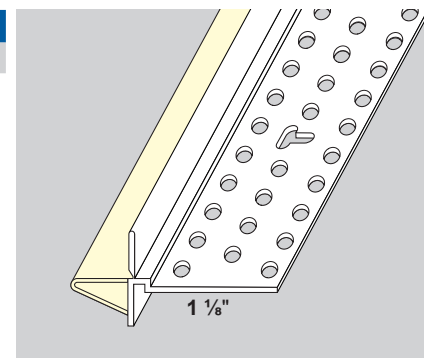


## Deflection Protection

### Wall Mounted Deflection Bead

- Prevents inside corner ceiling cracking due to deflection in multi-story structures
- A co-extruded flexible gasket compresses and expands during deflection
- Provides protection for up to  $\frac{7}{16}$ " of deflection
- Tear off strip leaves a clean finished edge

STOCK NO.	LENGTH	PCS. PER BOX
9220	10'	21



### Ceiling Mounted Deflection Bead

- Prevents inside corner ceiling cracking due to deflection in multi-story structures
- Mounted to the roof deck allowing the bead to slide up and down the wall during deflection
- Provides protection for up to  $\frac{3}{4}$ " of deflection
- Tear off strip leaves a clean finished edge

STOCK NO.	LENGTH	PCS. PER BOX
9240	10'	40
9242	12'	40

