



Pro Tip: Sprung Arch

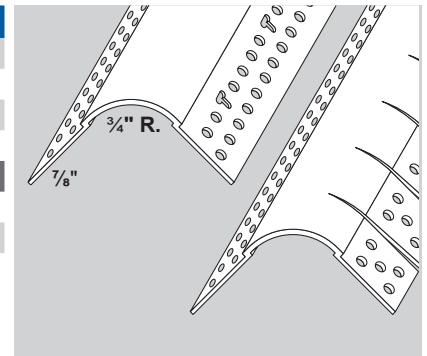
The exclusive co-extruded design of No-Notch Sprung Arch, only available from Trim-Tex, eliminates the need to fill notches in the nose of the bead.



3/4" R. Bullnose Corner Bead & Archway

- Softens corners & adds a traditional or southwestern look
- Trim-Tex offers the most complete line of 3/4" Bullnose products in the industry
- Archway minimum 15" inside radius or 20" outside radius

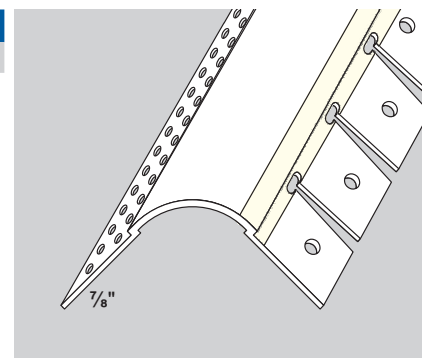
STOCK NO.	LENGTH	PCS. PER BOX
7008	8'	35
7009	9'	35
7010	10'	35
7012	12'	35
ARCHWAY		
7108	8'	35
7110	10'	35



3/4" R. Bullnose No-Notch Sprung Arch

- The No-Notch Sprung Arch is designed to finish sprung arches and is recommended for doors 5' and wider
- Eliminates filling notches on the exposed surface of the bullnose

STOCK NO.	LENGTH	PCS. PER BOX
7120	10'	35



3/4" R. Bullnose Splayed Corner Bead

- Designed to fit off-angle 135° outside corners

STOCK NO.	LENGTH	PCS. PER BOX
7308	8'	35
7309	9'	35
7310	10'	35

