

## 350 BULL™ L BEAD

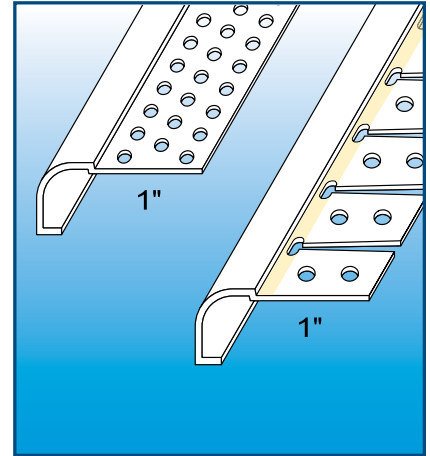
- 350 Bull L Bead works just like Trim-Tex J Round or Chamfer Stop.
- Perfect for decorative layers or for a clean finished look around windows and doors.
- Save the cost of wood moldings.

STOCK No.	SIZE	LGTH	Pcs. PER Bx
35048	1/2"	8'	35
35040M	1/2"	10'	10
35040	1/2"	10'	35
35058	5/8"	8'	35
35050M	5/8"	10'	10
35050	5/8"	10'	35

## 350 BULL ARCH L BEAD

- Like 350 Bull Arch, 350 Bull Arch L Bead is also designed to be notch free and hassle free. It can be used for creating beautiful curved layers or finishing arched doors and windows. 350 Bull Arch L Bead can go from a 36" inside to a 36" outside radius.

STOCK No.	SIZE	LENGTH	Pcs. PER Bx
35060	1/2"	10'	35
35070	5/8"	10'	35



## 0920 - 350 BULL™ 2 WAY

## 0921 - 350 BULL™ 3 WAY OFF ANGLE

## 0923 - 350 BULL™ 3 WAY

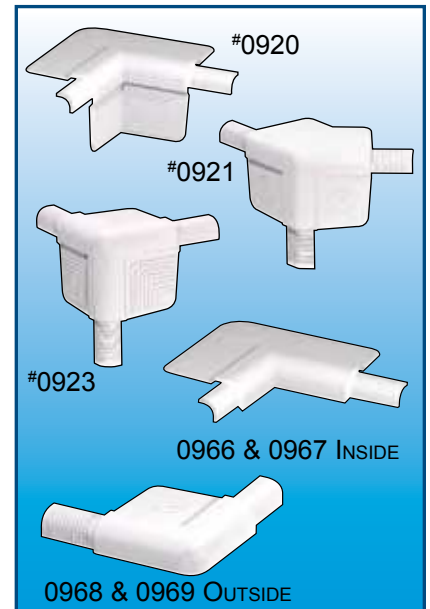
- 0920 is designed to finish two 350 Bull Outside Corners, adjoining at a 90 degree°
- 0921 is designed to finish two 350 Bull Outside Corners and one 350 Bull Splayed Corner Bead, adjoining at an outside off angle corner
- 0923 is designed to finish three 350 Bull Outside Corners that adjoin to a 90° outside angle

STOCK No.	Pcs. PER BOX
0920M	10
0920	50
0921M	10
0921	50
0923M	10
0923	50

## 350 BULL L BEAD INSIDE & OUTSIDE CORNERS

- Designed to match Trim-Tex's 350 Bull L Beads
- Both Inside and Outside Corners
- Available for 1/2" and 5/8" drywall

STOCK No.	SIZE	Pcs. PER BOX
0966M	1/2"	10
0966	1/2"	50
0967M	5/8"	10
0967	5/8"	50
0968M	1/2"	10
0968	1/2"	50
0969M	5/8"	10
0969	5/8"	50

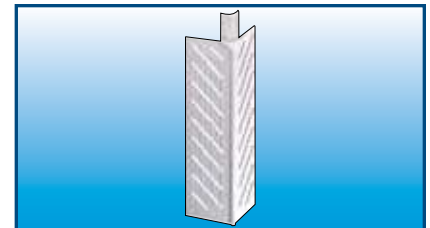


## 350 BULL ADAPTER

- Joins to a 350 Bull Bead and transitions to a standard square outside corner
- Simplifies the installation of the baseboard
- Designed with a minimal mud bump which uses less compound and prevents excessive outward splaying of the baseboard

STOCK No.	Pcs. PER BOX
0926M	10
0926	50

U.S. PATENT #6,630,503

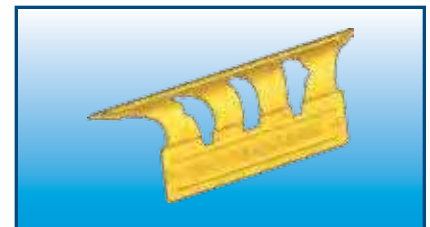


## 350 MITER MARKER™

- Creates perfect inside corners
- Eliminates guesswork when finishing door and window openings
- Miter marking for 90° and 135° off angle corners

STOCK No.	Pcs. PER BOX
0922M	10
0922	40

U.S. PATENT #D412,673



## 350 BULL™ SPLICER

- Joins 2 sections of 350 Bull Corner Bead
- Unique spring action allows Splicer to be snapped into bead for perfect alignment
- Use with Trim-Tex #710 Adhesive Caulk to eliminate cracking

STOCK No.	Pcs. PER BOX
0924M	10
0924	40

U.S. PATENT #5,813,179

