



SUBMITTAL SHEET

Product(s): Trim-Tex L Bead & Archway L Bead

Description: Trim-Tex L Beads are designed to finish rough drywall ends and drywall layering details.

Advantages: Made from rust proof, dent resistant PVC to reduce jobsite and handling damage. Archway L Bead is especially useful for finishing columns and free-form drywall art. Does not contain cellulose, a potential food source for mold

Limitations: Product is designed for interior use.

Applicable Standards: Rigid PVC products made by Trim-Tex meet ASTM specifications D3678-97, D1784-03, C1047-99 and achieve a Class A rating for flame spread and smoke developed when tested under ASTM E84-10.

Surface Characteristics: Trim-Tex products are made from PVC. PVC does not support combustion and is self extinguishing when the source of flame or heat is removed.

Installation:

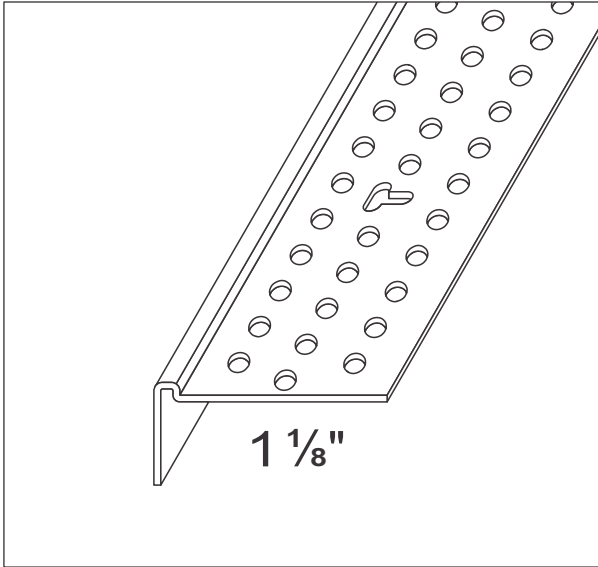
Method 1: To install the bead, cut the bead to length. Spray the bead with Trim-Tex 847 Spray Adhesive. Immediately apply to the drywall. Once in position, press the legs into place using a Trim-Tex installation tool or the handle of your taping knife.

Method 2: Cut the bead to length. Once in position, staple the mud leg into place every 6"-8" with 1/2" staples.

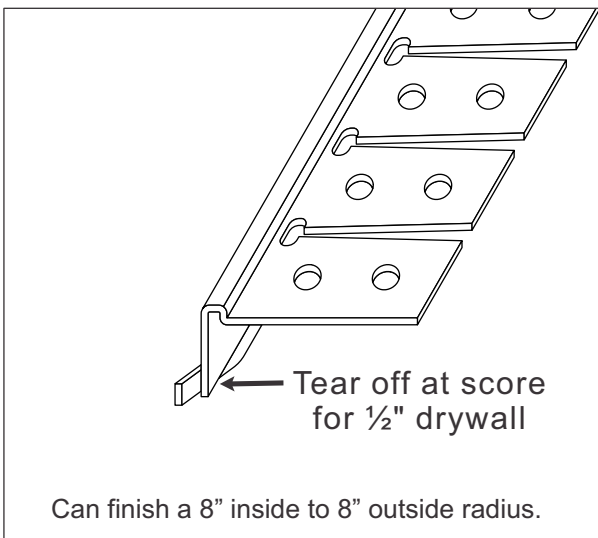
Preferred: Combination of 847 Spray adhesive and staples as detailed above.

Finishing: Always use a high quality paint.

Accessories: 847 Spray Adhesive, Staple Guns and Staples, Trim-Tex Sanding Blocks & Abrasive Products, Mud-Max Drywall Compound Additive, North Safety Products distributed by Trim-Tex.



STOCK NUMBER	SIZE	LENGTH	PCS PER BOX
3206	3/8"	10'	80
3208	1/2"	8'	80
3210	1/2"	10'	80
3308	5/8"	8'	80
3310	5/8"	10'	80
3408	3/4"	8'	50
3410	3/4"	10'	50
3508	1"	8'	50
3510	1"	10'	50
3608	1 1/4"	8'	50
3610	1 1/4"	10'	50



STOCK NUMBER	SIZE	LENGTH	PCS PER BOX
3299	1/2" & 5/8"	10'	50

Job Name _____

Contractor _____ Date _____

Approvals (Signatures or Stamps)