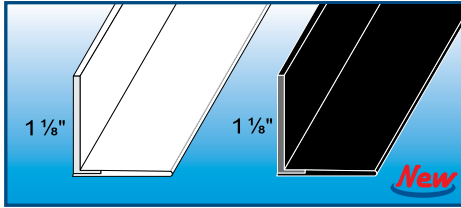


BLACK & WHITE FLEX GRID ANGLE™

- The ultimate way to finish an acoustical ceiling terminating at any curved wall or surface.
- Will finish columns 5 1/2" radius or larger. 8158 & 8178 will finish a minimum inside radius of 60".
- For inside radii as small as 18", use 8159 or 8179.
- UV stabilized



WHITE

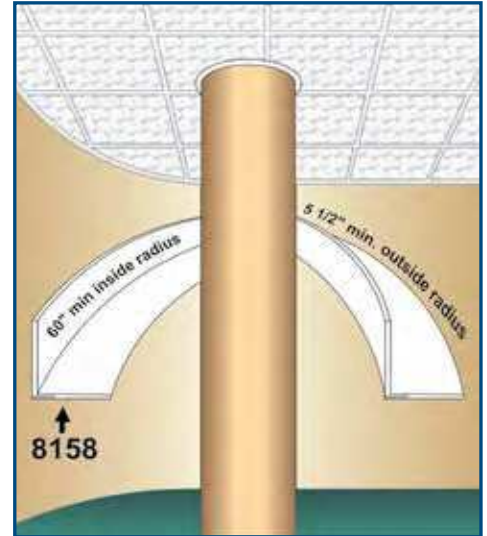
STOCK No.	SIZE	LENGTH	Pcs. PER BOX
8158M	7/8"	8'	10
8158	7/8"	8'	63
8159M	9/16"	8'	10
8159	9/16"	8'	63

U.S. PATENT #5,481,845

BLACK

STOCK No.	SIZE	LENGTH	Pcs. PER BOX
8178M	7/8"	8'	10
8178	7/8"	8'	63
8179M	9/16"	8'	10
8179	9/16"	8'	63

U.S. PATENT #5,481,845



SHADOW BEAD

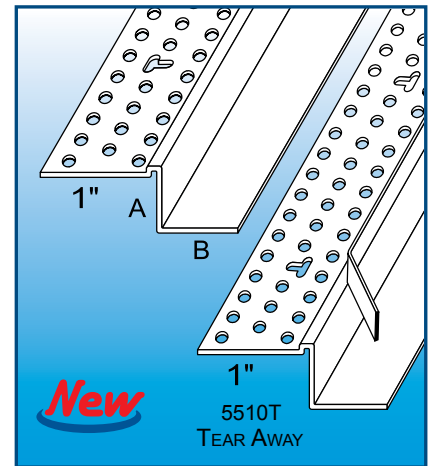
- Shadow Bead is used to create a reveal effect when butting up to door jambs, base trim, ceilings, light boxes and other interior architectural components.
- 1/2" deep shadow can be used with 7/16" L Bead (Stock #3210S) to create a floating reveal. The floating reveal looks the same as our regular reveal, except that it works as the ultimate expansion joint in commercial applications.

TEAR AWAY SHADOW BEAD

- Our 1/2" x 1/2" shadow bead comes with a convenient tear off masking strip.

STOCK No.	AxB SIZE	LGTH	Pcs. PER BOX
5410	1/2"x1/4"	10'	50
5508	1/2"x1/2"	8'	50
5510	1/2"x1/2"	10'	50
5610	1/2"x3/4"	10'	50
5650	1/2"x 1"	10'	50
5710	5/8"x1/4"	10'	50
5808	5/8"x1/2"	8'	50
5810	5/8"x1/2"	10'	50
5908	5/8"x3/4"	8'	50
5910	5/8"x3/4"	10'	50
6010	5/8"x5/8"	10'	50

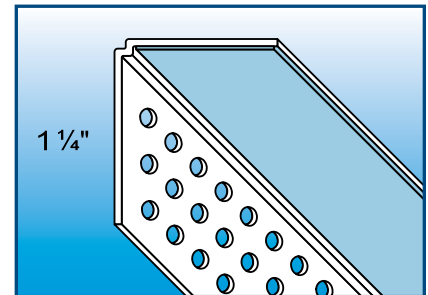
STOCK No.	AxB SIZE	LGTH	Pcs. PER BOX
5510T	1/2"x1/2"	10'	25



MUD ON™ CEILING BEAD

- Use wherever a new wall is butted to an existing drop ceiling.
- Available in 7/8" or 9/16" with a peel off protective masking that protects the visible flange from compound and paint for easy clean up.
- UV stabilized

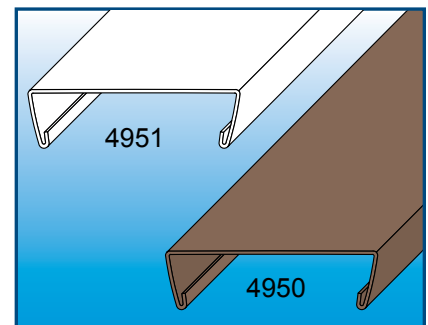
STOCK No.	SIZE	LENGTH	Pcs. PER BOX
5008	7/8"	8'	80
5010M	7/8"	10'	20
5010	7/8"	10'	80
5012	7/8"	12'	80
5020M	9/16"	10'	20
5020	9/16"	10'	80



SNAP CAP™

- Snap Cap is stocked in bronze and white to approximate existing window tints.
- Snap Cap is used to finish wall ends that terminate at a window. Snap-on design for quick, easy installation without mudding.
- Specially designed to be two sizes in one.
- 4963 for 1/2" & 5/8" drywall on a 2 1/2" stud.
- 4950 & 4951 for 1/2" & 5/8" drywall on a 3 5/8" stud.

STOCK No.	SIZE	LENGTH	Pcs. PER BOX
4963(BRONZE)	3 7/8"	10'	10
4950(BRONZE)	5"	10'	10
4951(WHITE)	5"	10'	10



DRIVE IN BEAD

- Drive In Bead is an inexpensive way of finishing office partition walls. Drive In Bead is available in white and bronze.

STOCK No.	LENGTH	Pcs. PER BOX
8250 (WHITE)	10'	30
8254 (BRONZE)	10'	30

