



# SUBMITTAL SHEET

## Product(s): Trim-Tex Mud on J Beads

**Description:** Trim-Tex Mud on J Bead is designed for butting drywall to other substrates such as masonry, glass, doors & windows.

**Advantages:** Perfect for skylight shafts. Made from rust proof, dent resistant PVC to reduce jobsite and handling damage. Does not contain cellulose, a potential food source for mold

**Applicable Standards:** Rigid PVC products made by Trim-Tex meet ASTM specifications D3678-97, D1784-03, C1047-99 and achieve a Class A rating for flame spread and smoke developed when tested under ASTM E84-10.

**Surface Characteristics:** Trim-Tex products are made from PVC. PVC does not support combustion and is self extinguishing when the source of flame or heat is removed.

### Installation:

**Method 1:** To install the bead, cut the bead to length. Spray the bead with Trim-Tex 847 Spray Adhesive. Slip the Mud on J Bead over the open drywall end. Once in position, press the leg into place using a Trim-Tex installation tool or the handle of your taping knife.

**Method 2:** Cut the bead to length. Once in position, staple the mud leg into place every 6"-8" with 1/2" staples.

Preferred: Combination of 847 Spray adhesive and staples as detailed above.

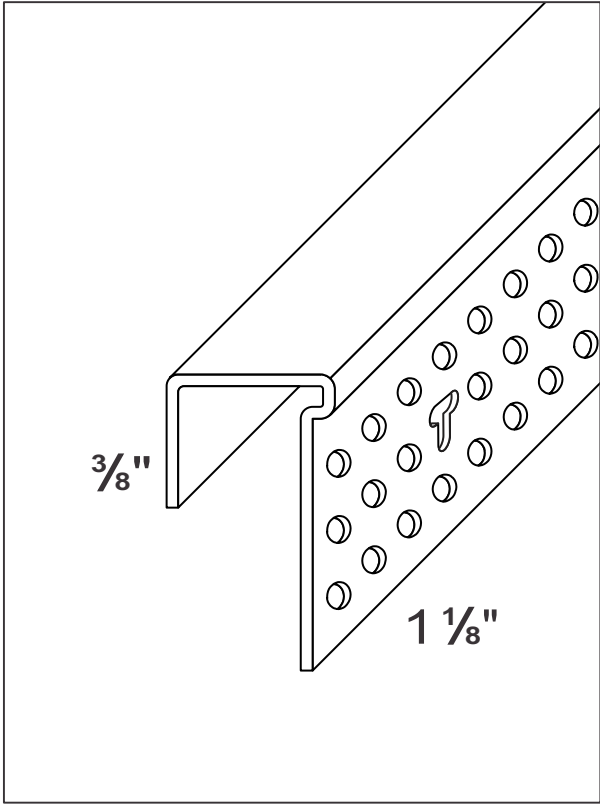
**Finishing:** Always use a high quality paint.

**Accessories:** 847 Spray Adhesive, Staple Guns and Staples, Trim-Tex Sanding Blocks & Abrasive Products, Mud-Max Drywall Compound Additive, North by Honeywell -Safety Products distributed by Trim-Tex. Safety Products distributed by Trim-Tex.

Job Name \_\_\_\_\_

Contractor \_\_\_\_\_ Date \_\_\_\_\_

Approvals (Signatures or Stamps)



STOCK #	SIZE	LENGTH	PCS PER BOX
1708	1/2"	8'	
1710	1/2"	10'	50
1808	5/8"	8'	
1810	5/8"	10'	50