

USG CEILINGS PLUS® BARZ®

ULTRA LIGHTWEIGHT
LINEAR BAFFLES

INSTALLATION GUIDE



Introduction

Enter **BARZ**[®] - Innovative ceiling designs brought to you by **USG Ceilings Plus**. In this manual we'll show you how to perform the installation the right way, the first time. Go ahead, install with a smile..

The purpose of this installation manual is to provide you with general steps and procedures on how to properly and safely install **BARZ**[®] ceiling systems as well as how to address various field conditions.

Please read this entire manual and familiarize yourself with all procedures before you begin. If you have been supplied with project drawings specific to your order, make sure you have a thorough understanding of those. Any details within those documents will supersede this manual. Work area must be clear of debris and obstacles to ensure a safe and fast installation.

Please work safely!

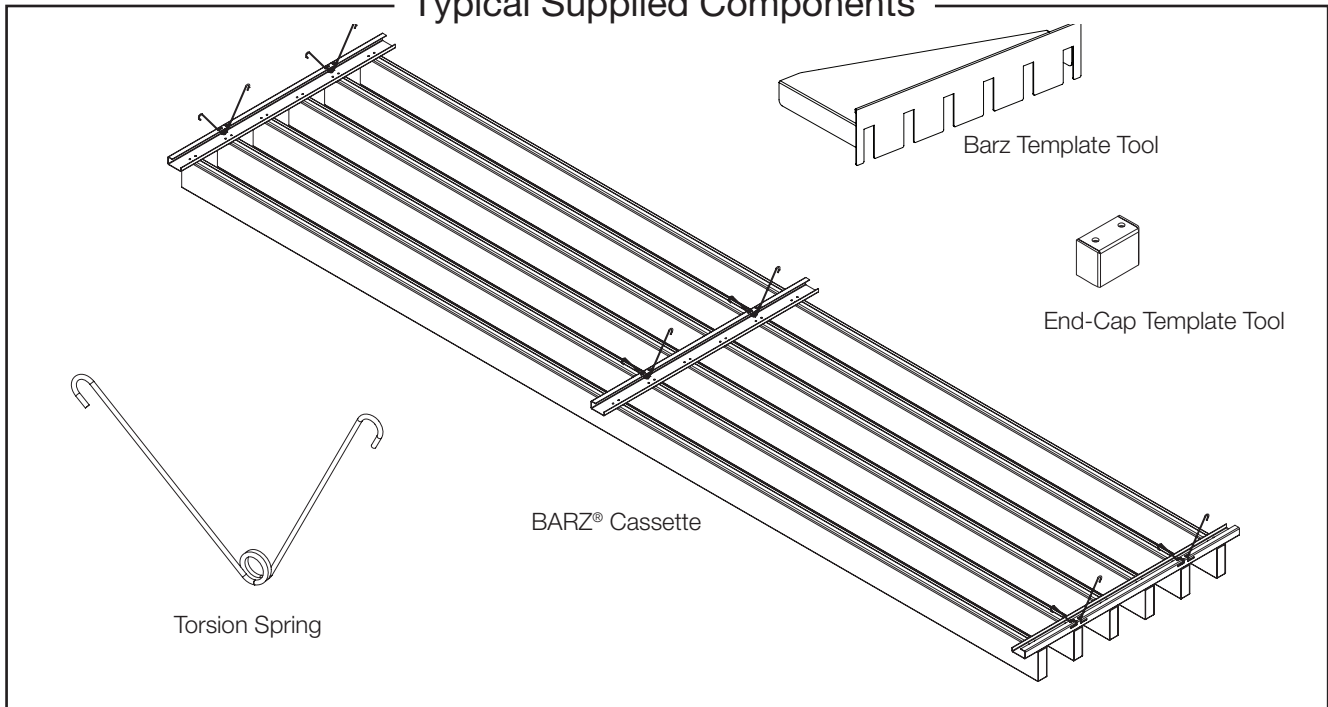
Table of Contents

Preparation	
Component Identification	1
Tools	2
Module Planning	
Layout Options	3
Layout Options	4
Grid Planning	
Blank Grid	5
General Installation	
Install Hanger Wire & Main Tees	6
Install Cross Tees	7
Level Grid System	8
Install Cassettes Into Grid	9
Fully Installed System	10
Floating Edge - Grid Concealment	11 - 12
Field Cutting	13
Field Cutting (2" x 6" Cassette)	14 - 16
Field Cutting (2" x 8" Cassette)	17- 20
Installing End-Caps	21
Perimeter Conditions	
Straight Wall Condition	22
Angled Wall Condition	23
Column Integration	24
MEP Integration	
Lighting	25
Sprinklers	26
HVAC	27
Custom Installations	
General Wall Installation	28 - 30
Custom Cassette - Wall Installation	31 - 33
Hanging Individual Baffles	34
Maintenance	
Adjust & Clean	35
Support	
Contacts	35
Notices	
	36

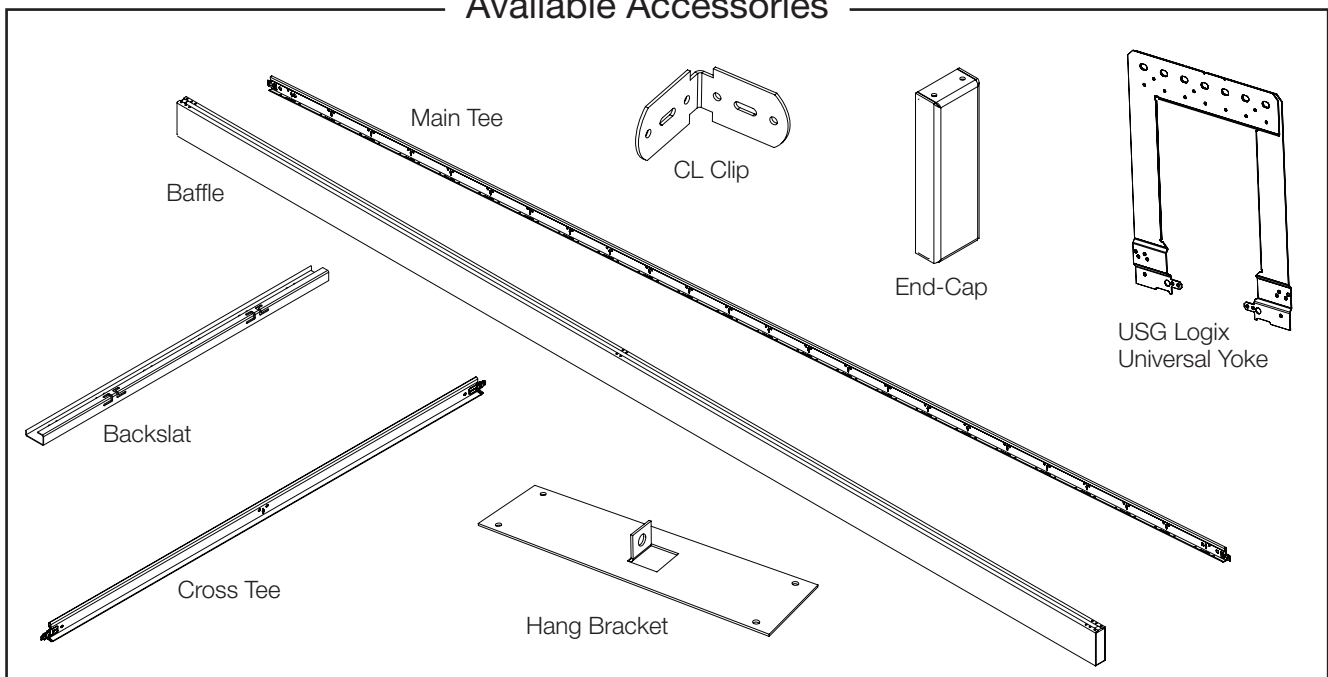
Preparation

Component Identification

Typical Supplied Components



Available Accessories



Preparation Tools

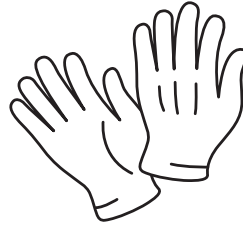
Standard Tools



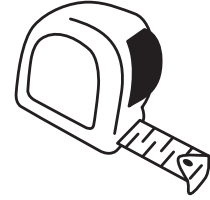
Safety Goggles



Hard Hat



White Cotton Gloves



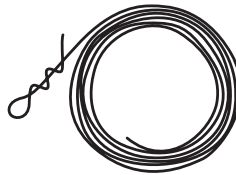
Tape Measure



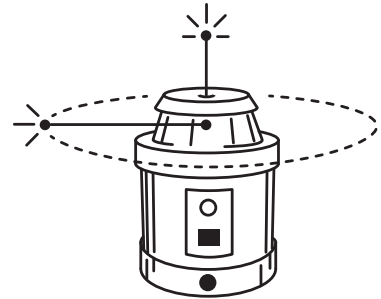
Square



Lineman Wire Cutters



Hanger Wire



Laser Level

Field Modification Tools

Left



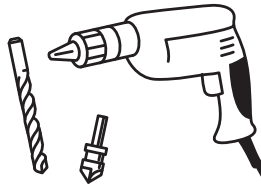
Right



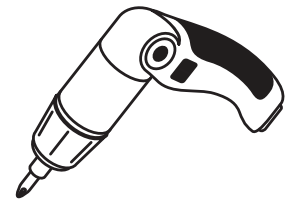
Center



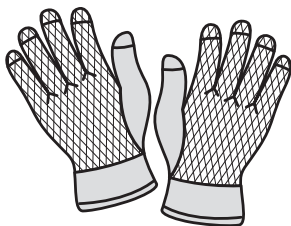
Snips Set



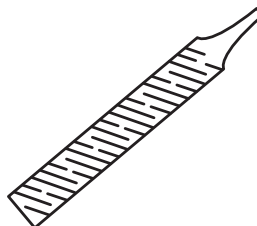
Drill with 1/8" Diameter Standard & Counter-Sink Bits



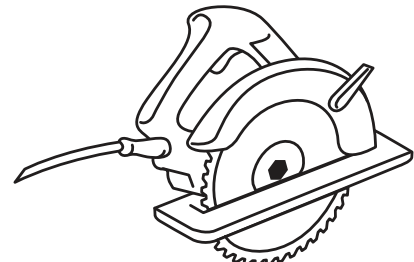
Electric Screwdriver



Working Gloves



File

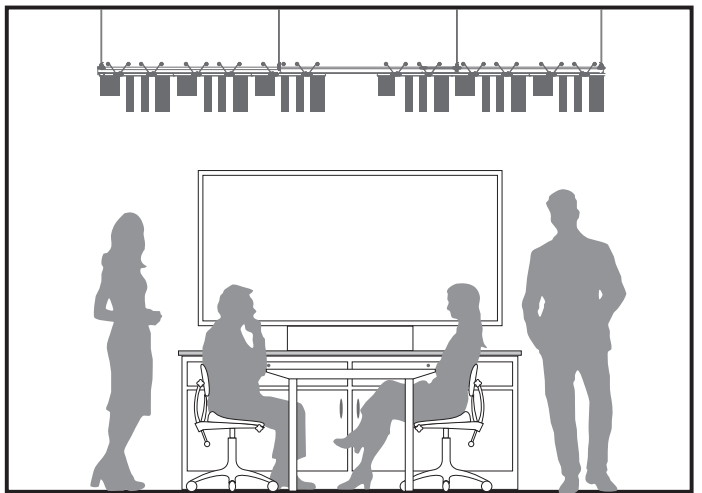
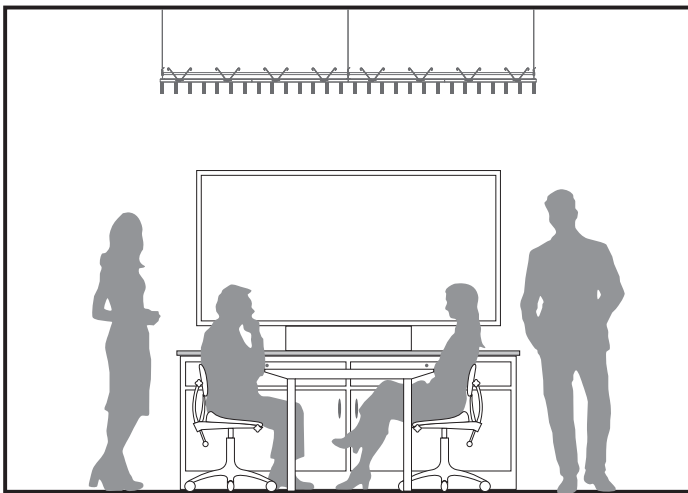
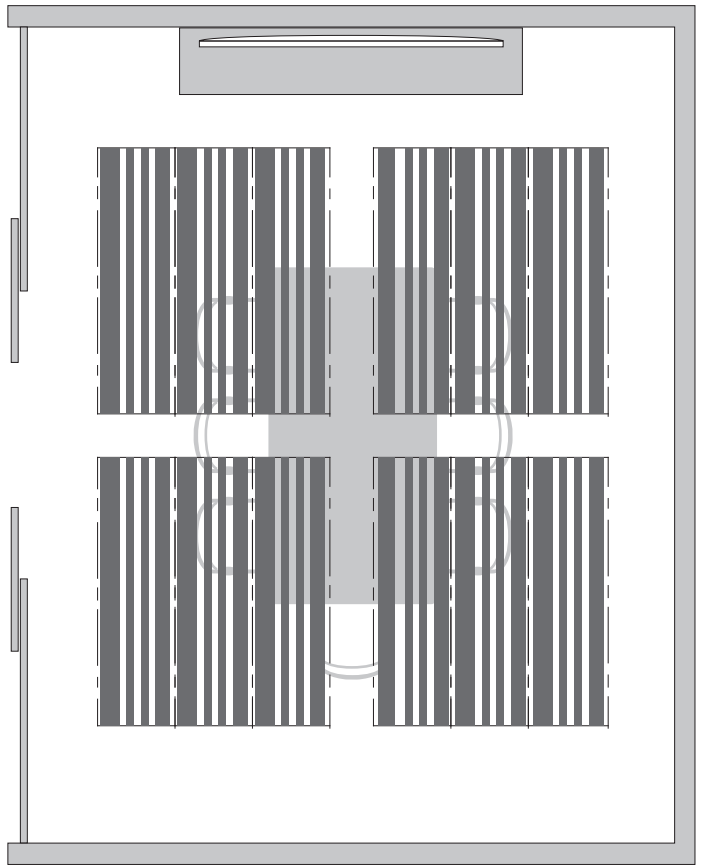
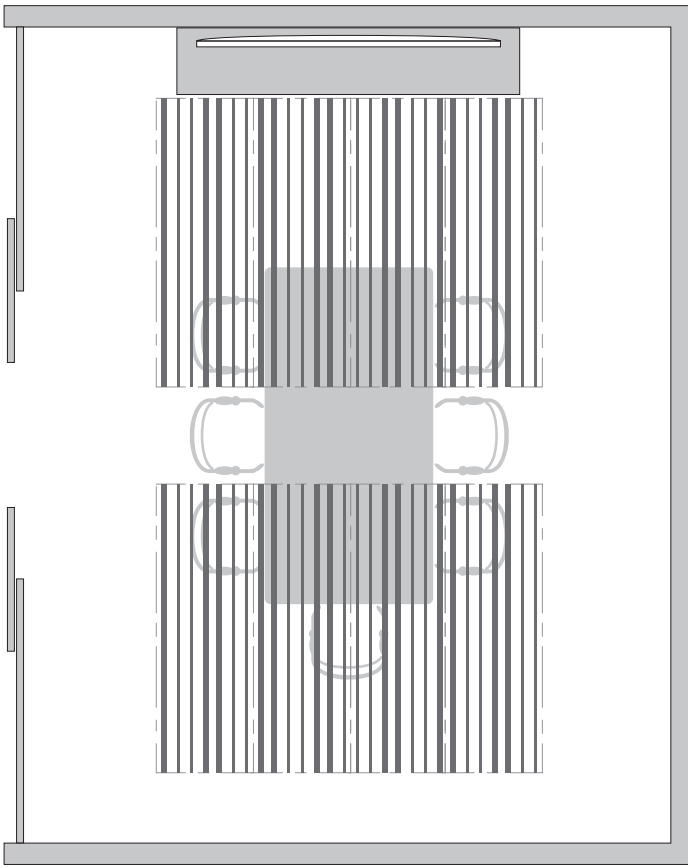


Rotary Saw

Module Planning

Layout Options

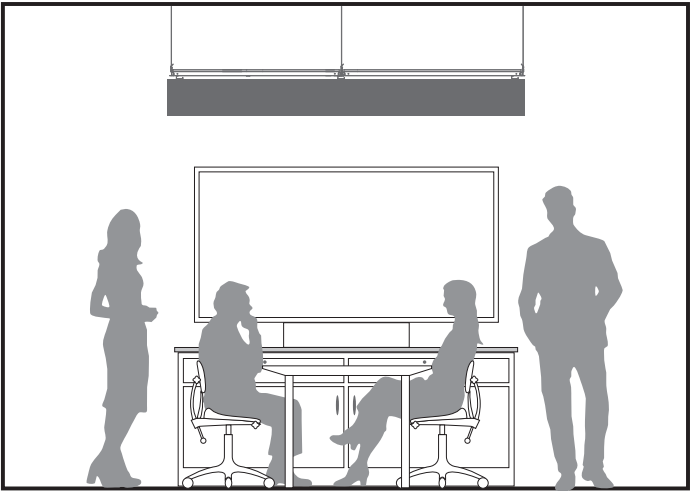
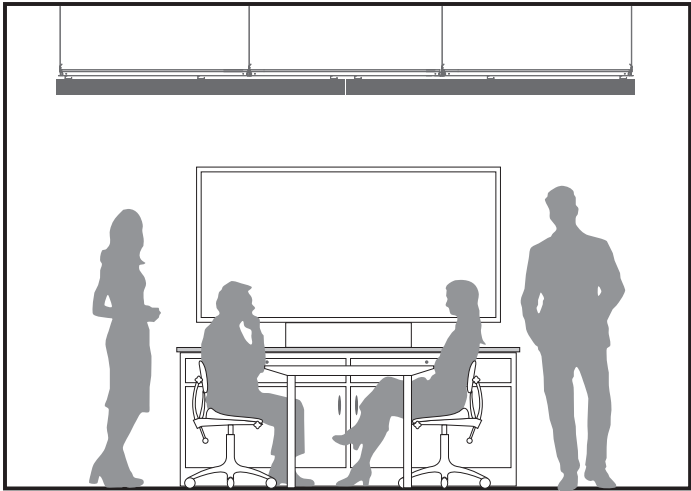
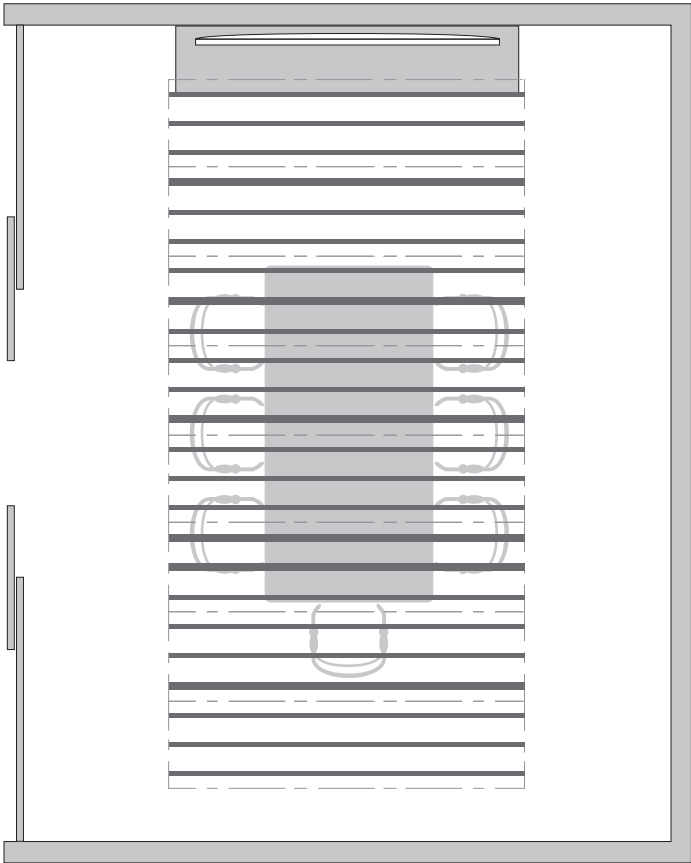
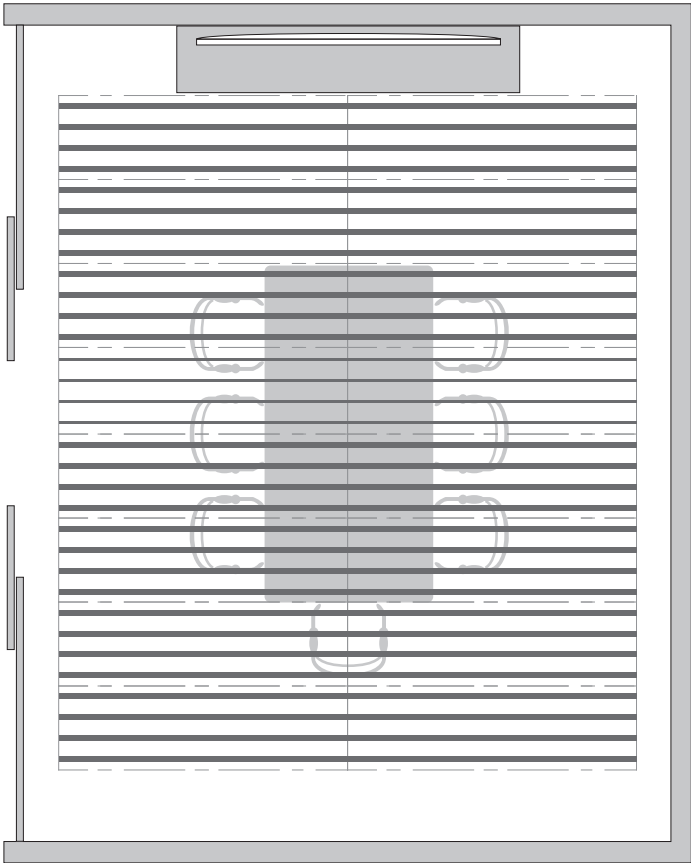
Want to add some customization?



A good layout is always important when designing your space.

Module Planning Layout Options

The options are endless.

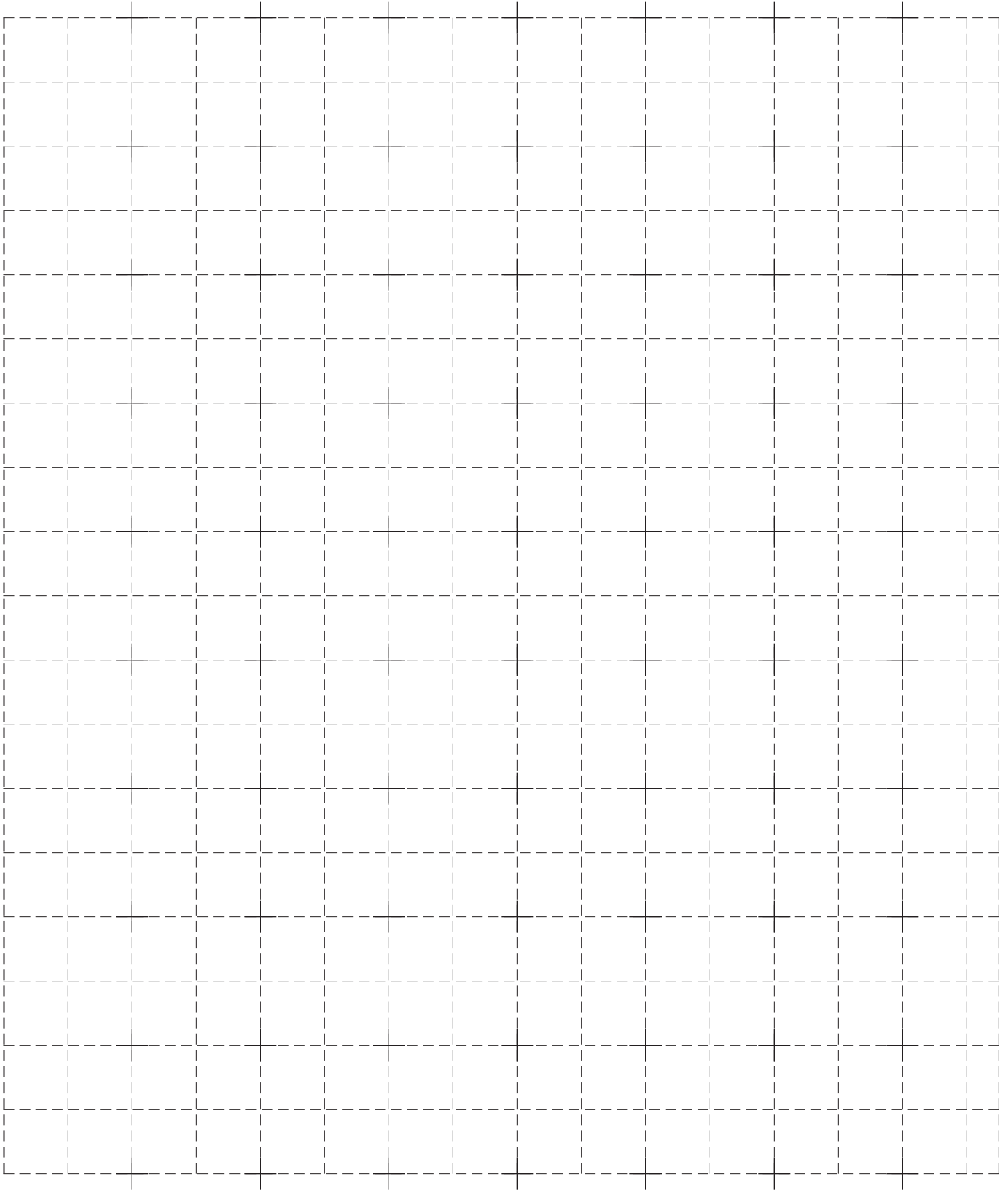


Above are some examples to help get you started.

Grid Planning

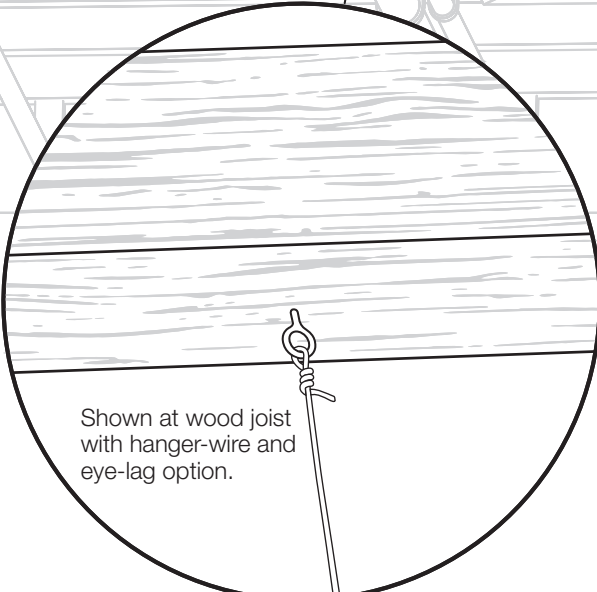
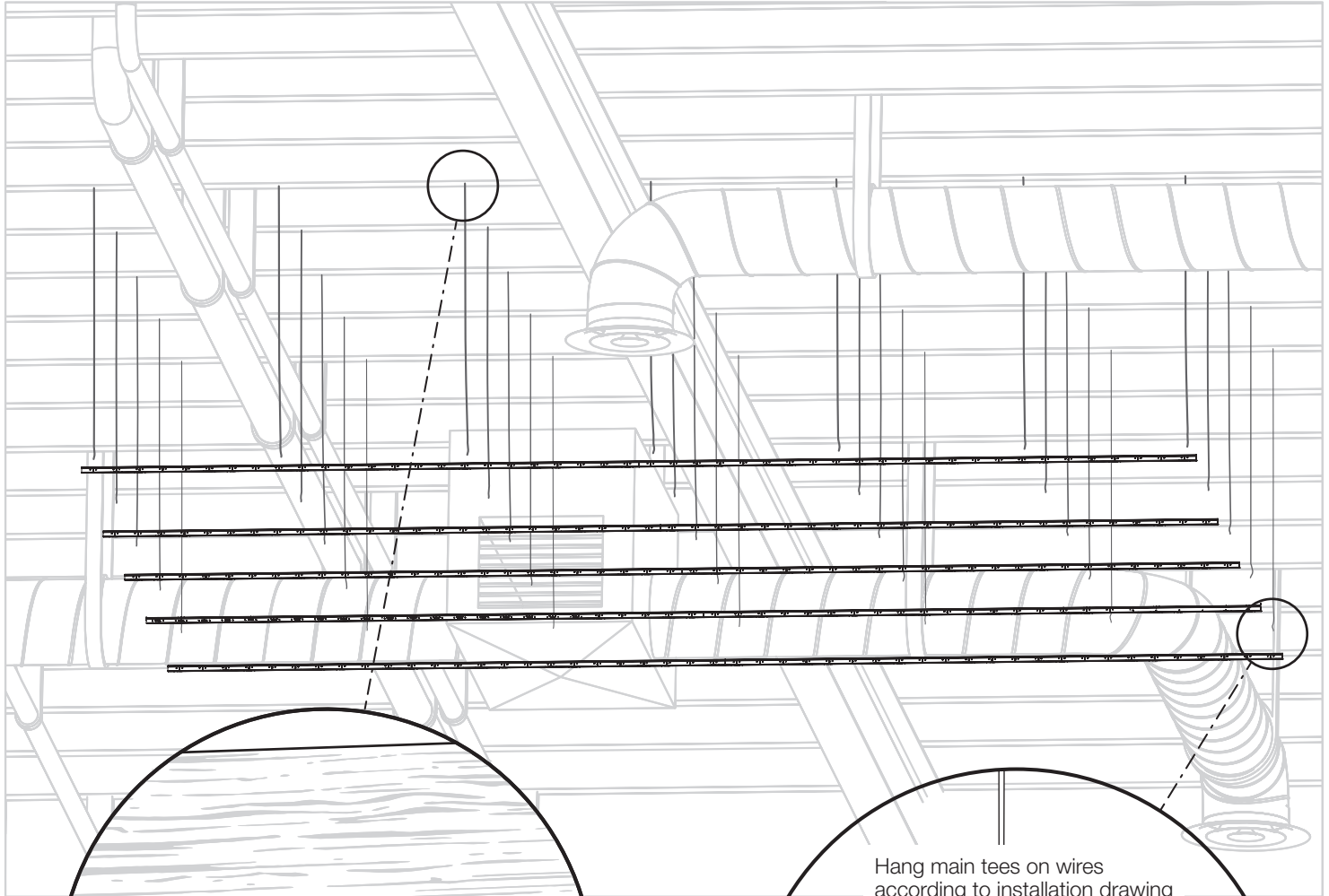
Blank Grid

Crosses @ 4'⌞ ,Dashed Lines @ 2'⌞

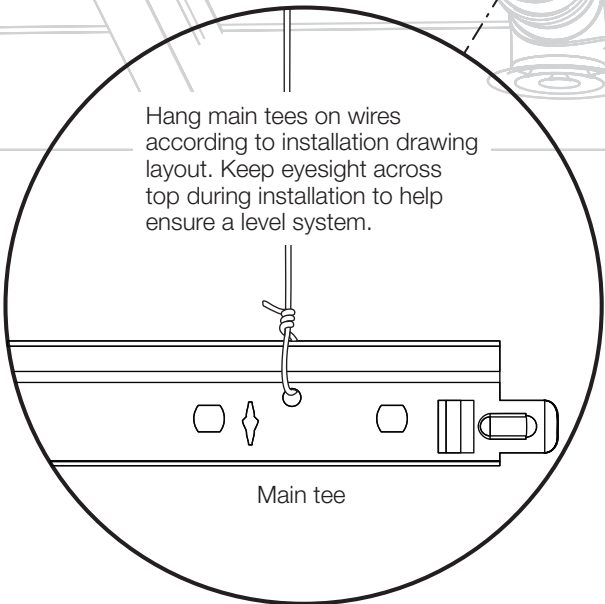


General Installation

Install Hanger Wire & Main Tees



Shown at wood joist with hanger-wire and eye-lag option.

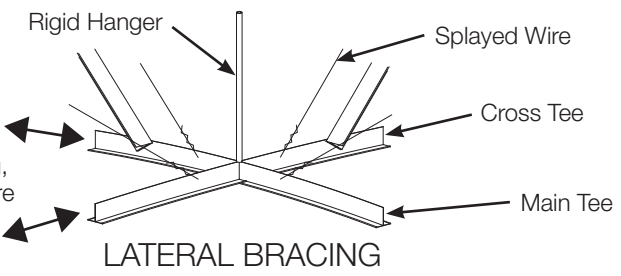


Hang main tees on wires according to installation drawing layout. Keep eyesight across top during installation to help ensure a level system.

Main tee

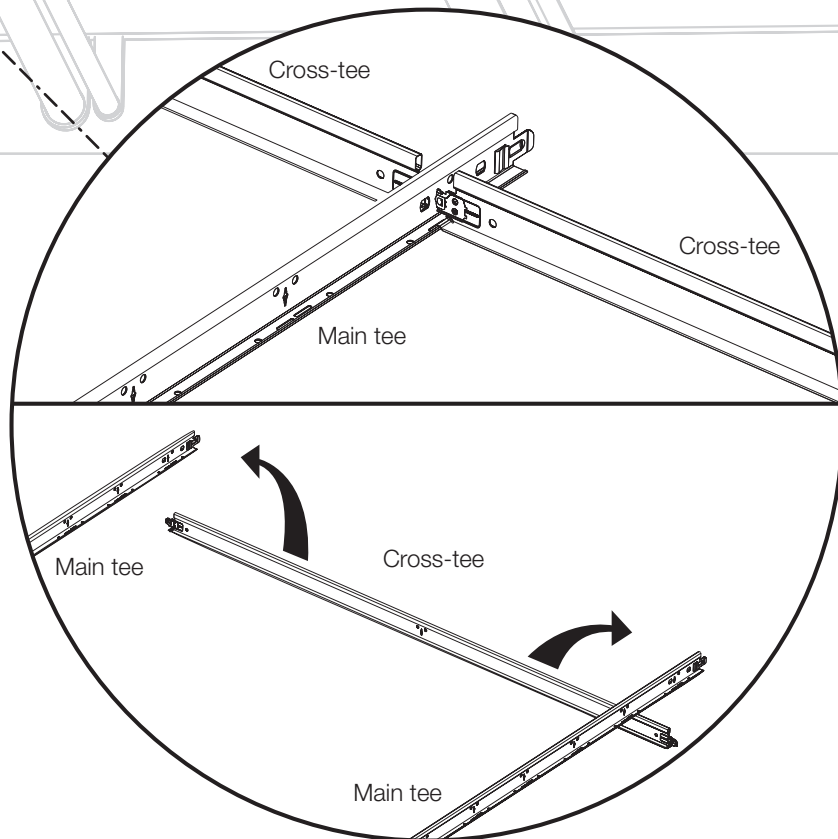
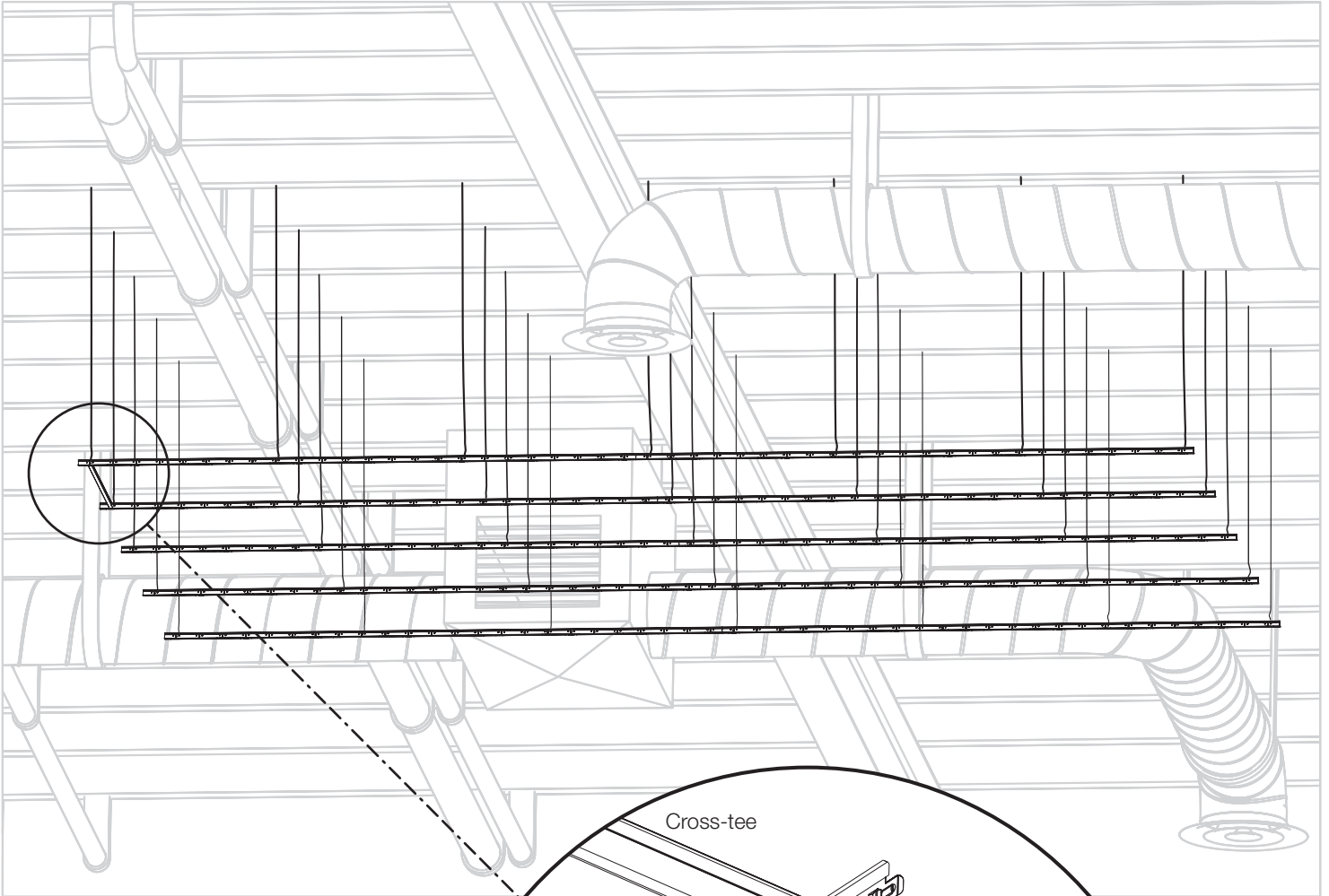
Install per ASTM C636 and ASTM E580 specifications. Select the correct fastener based on your field conditions, i.e. shot-in pin, anchor bolts, screw/clip, etc.

Install additional bracing required for project's seismic codes. Lateral bracing wires/compression posts. For lateral bracing, counter-splayed wires or diagonal bracing are required for each direction.



General Installation

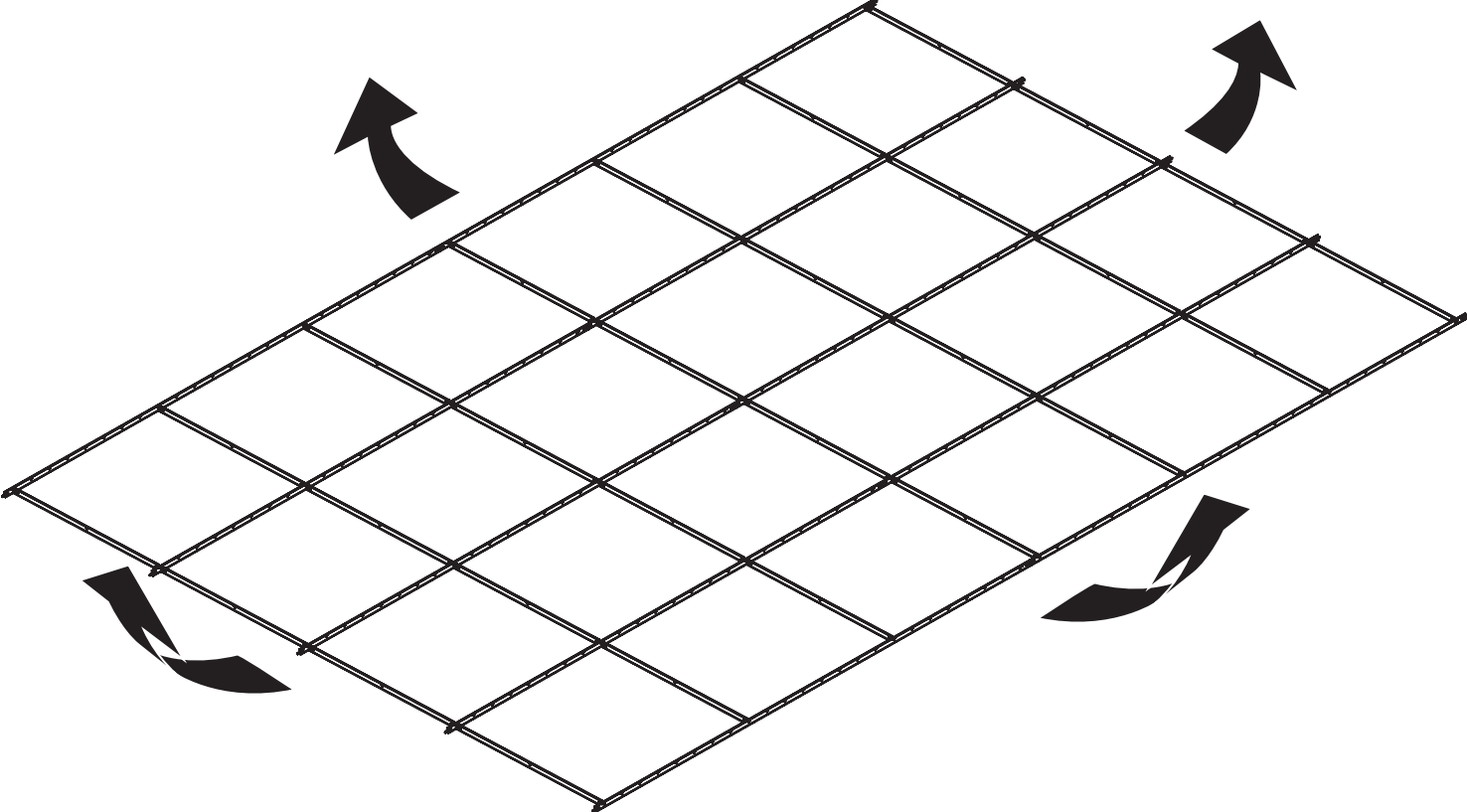
Install Cross Tees



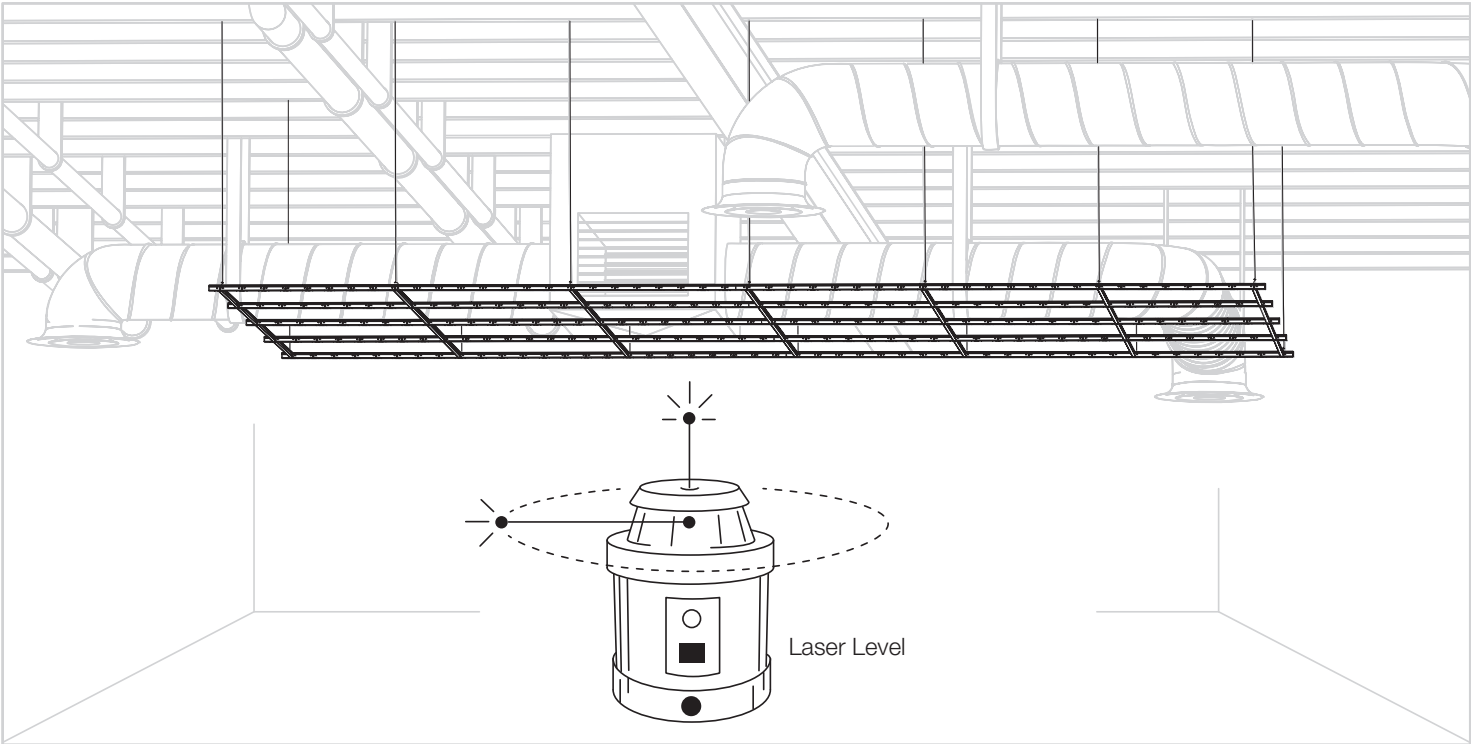
Install cross-tees into main tees with 48" maximum \varnothing spacing. Follow installation drawing layout.

General Installation

Level Grid System

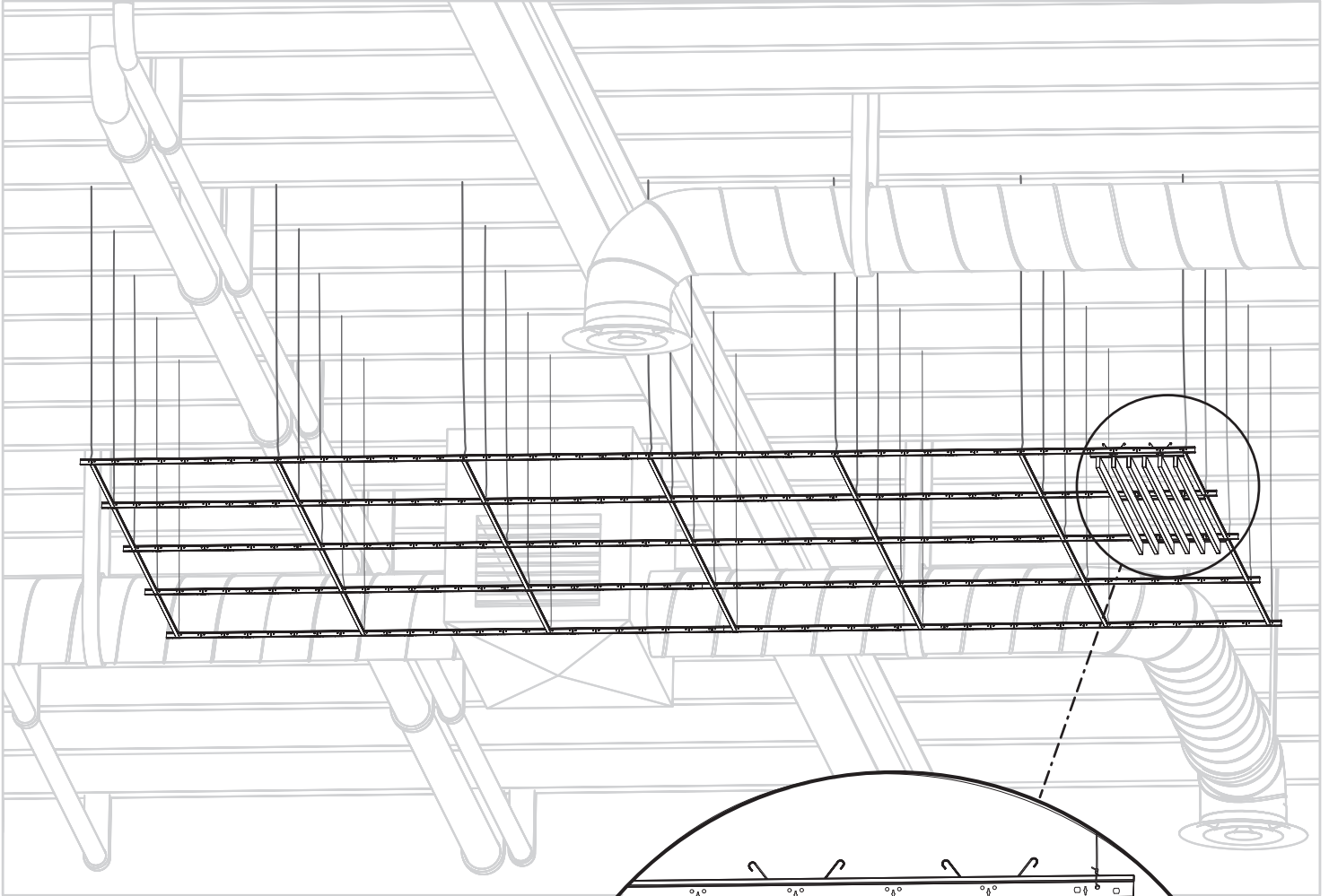


Use laser level to ensure whole grid is leveled to a 1/8" maximum variance.

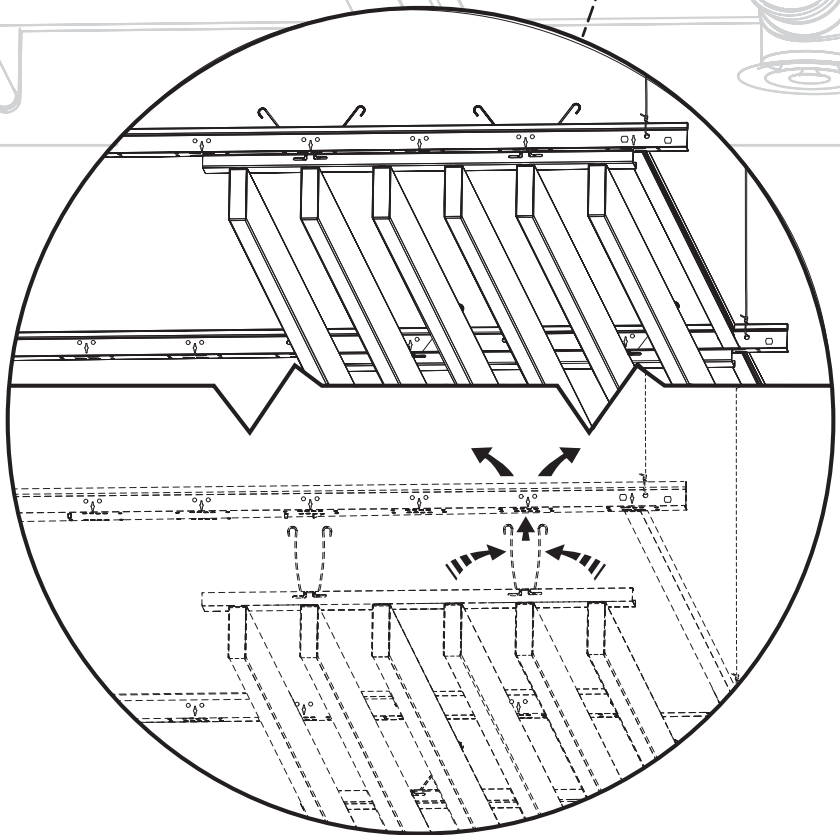
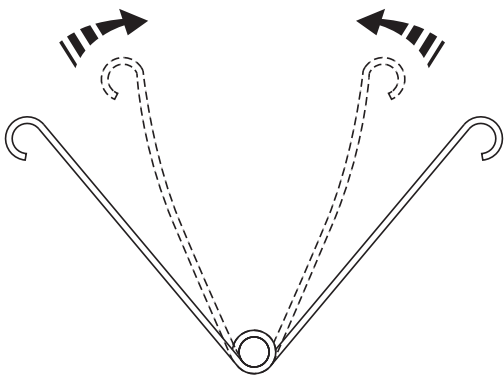


General Installation

Install Cassettes Into Grid

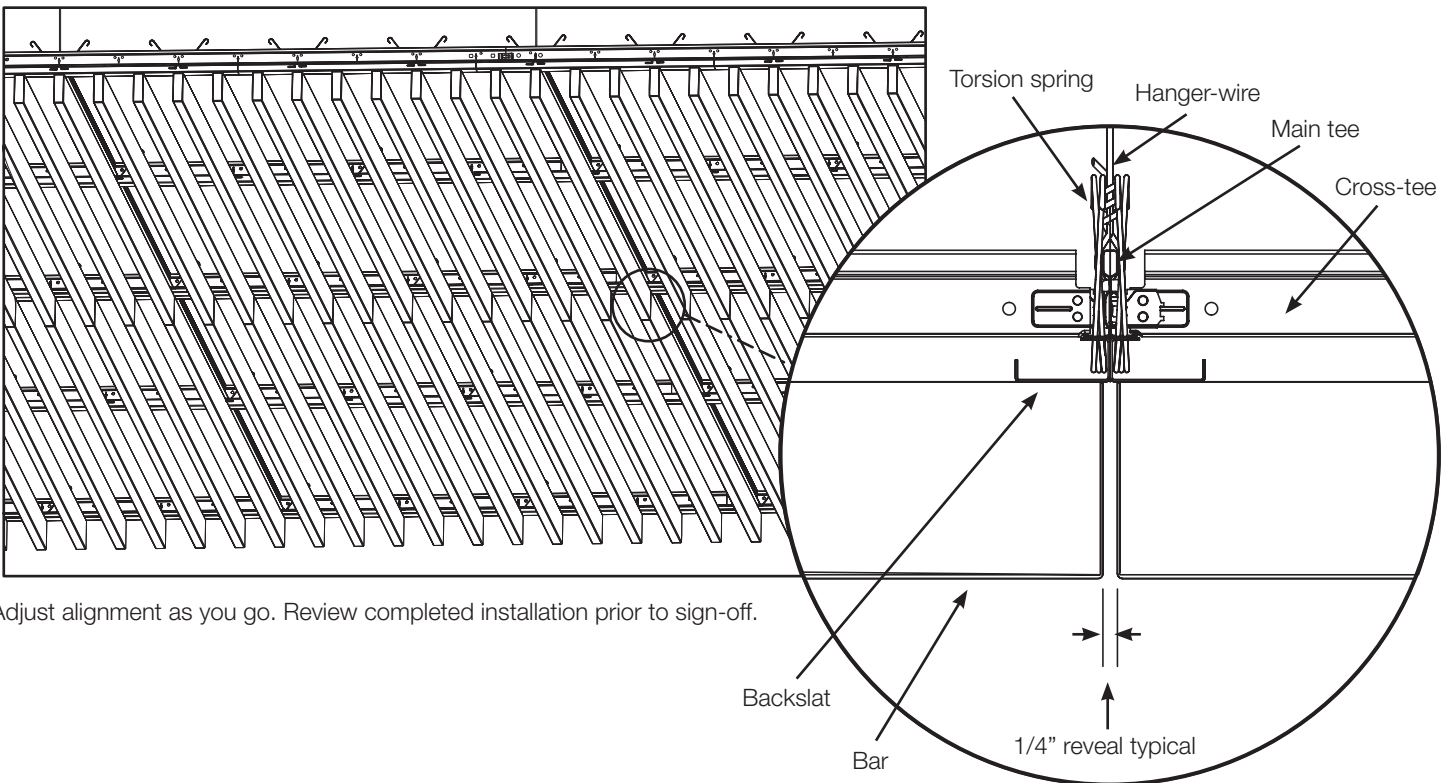
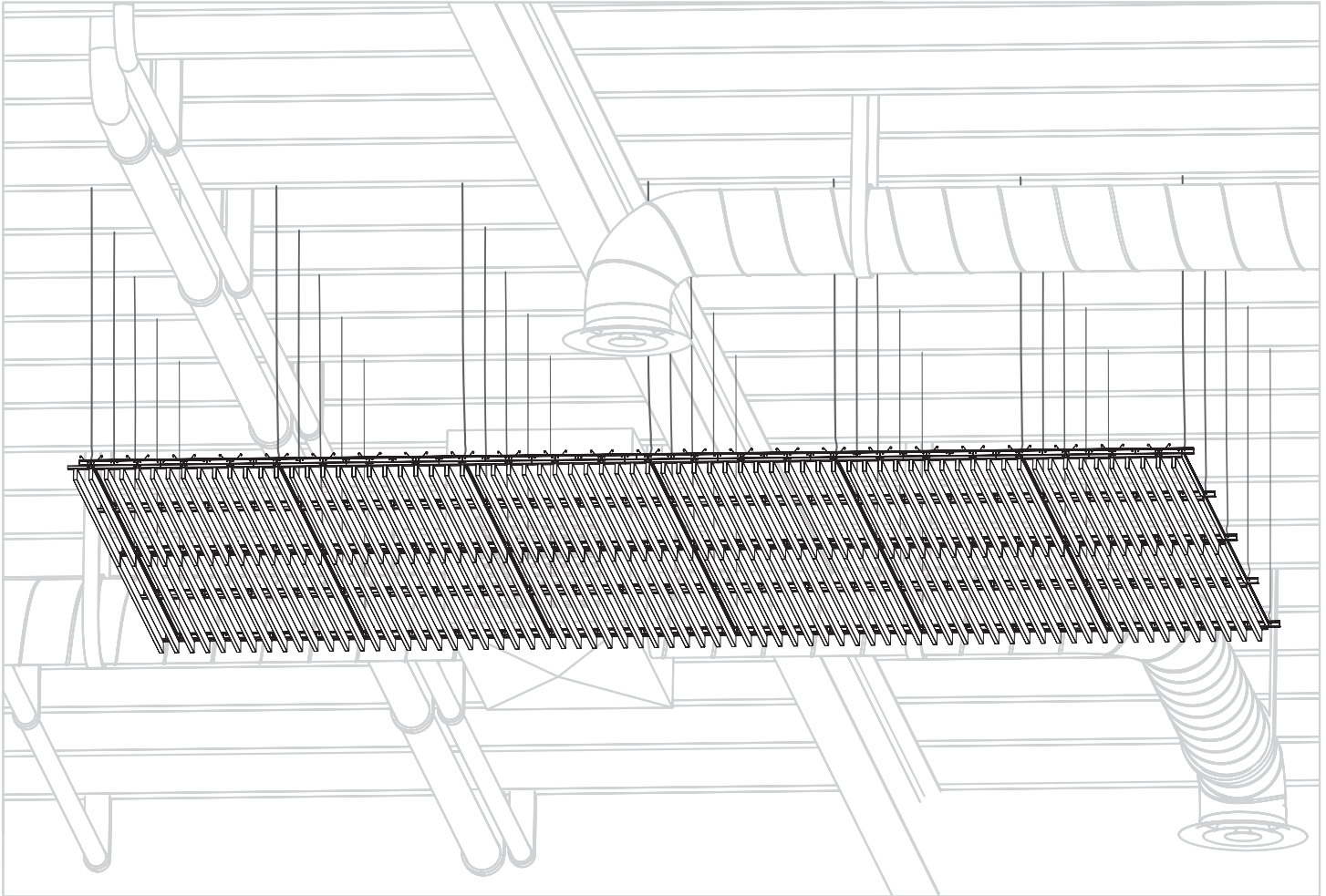


Install cassettes into grid per installation drawings. Pay special attention to orientation.



General Installation

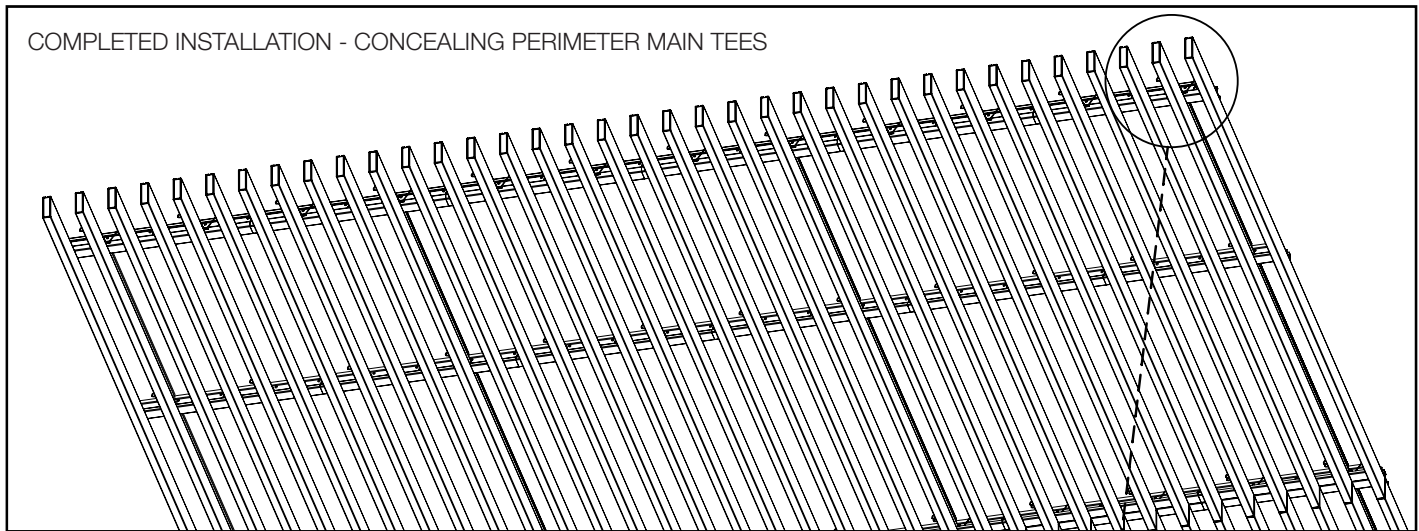
Fully Installed System



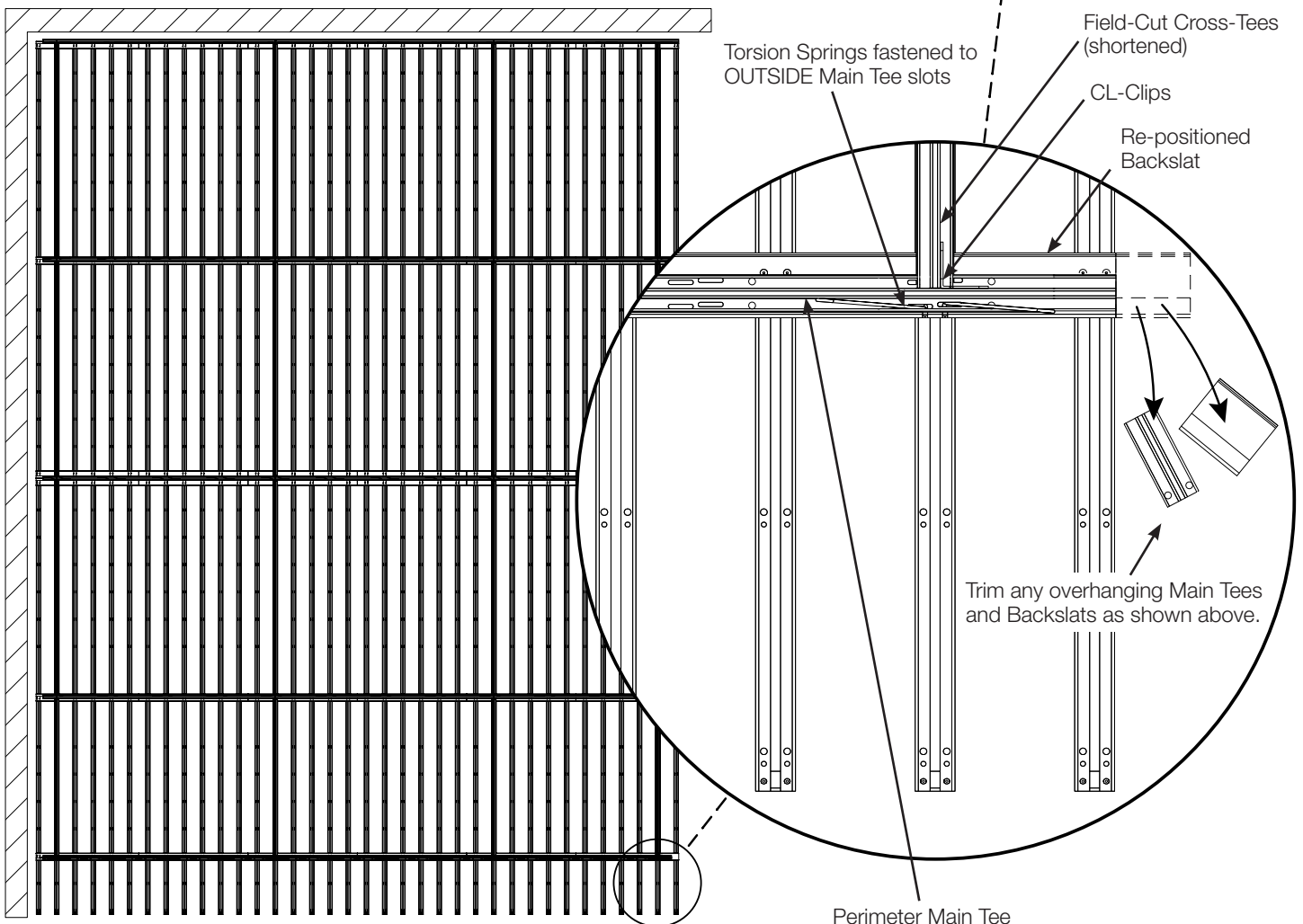
Adjust alignment as you go. Review completed installation prior to sign-off.

General Installation

Floating Edge - Grid Concealment



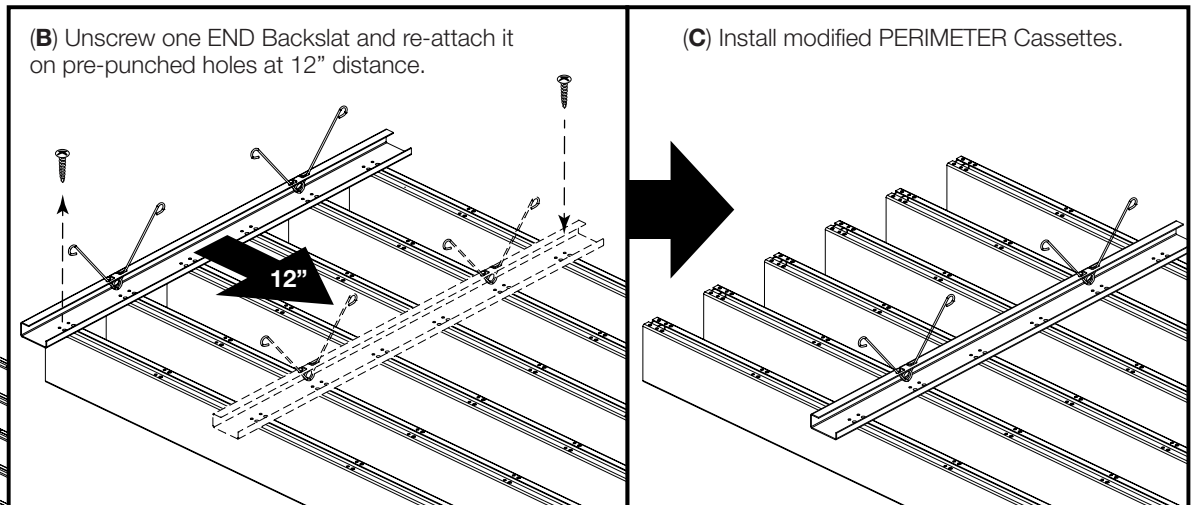
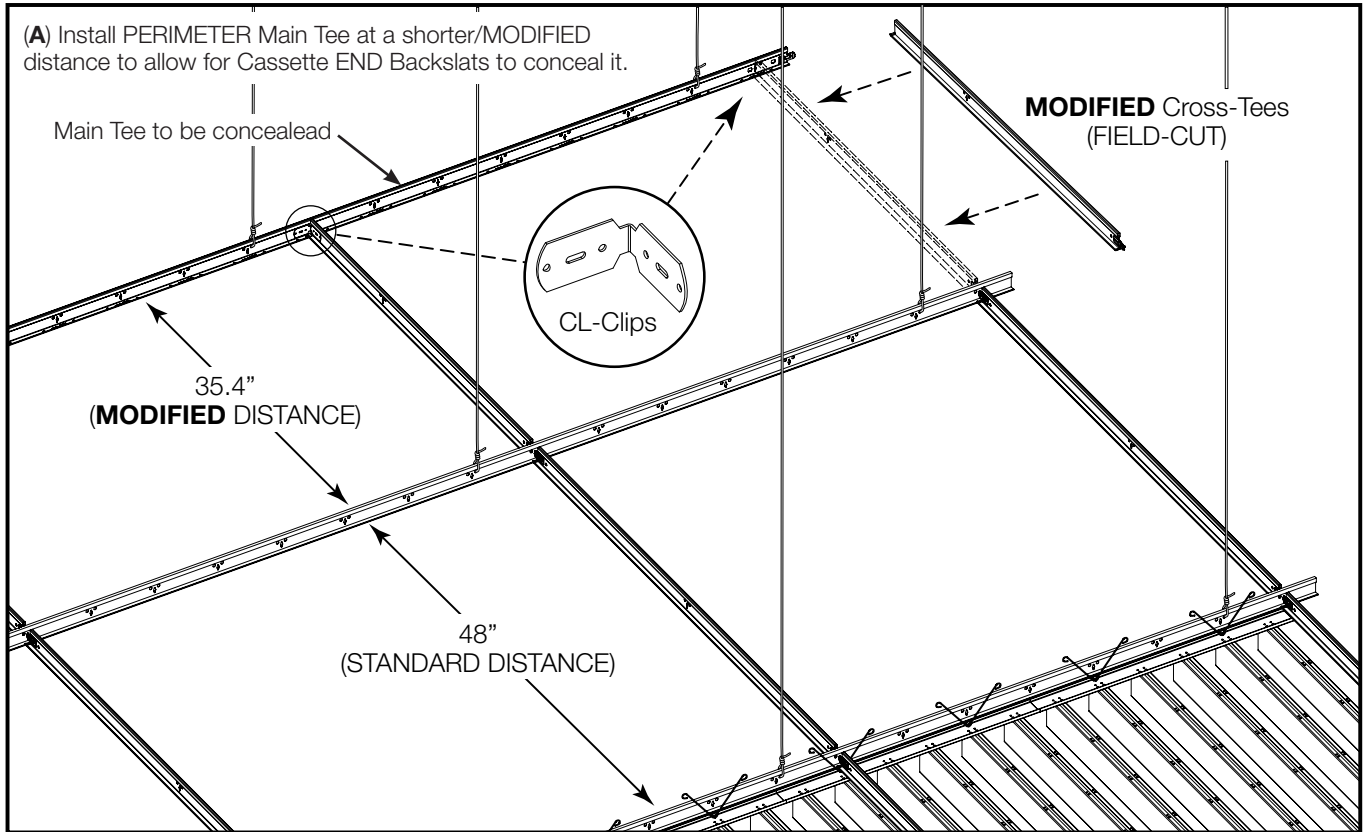
FLOOR VIEW



TOP VIEW

General Installation

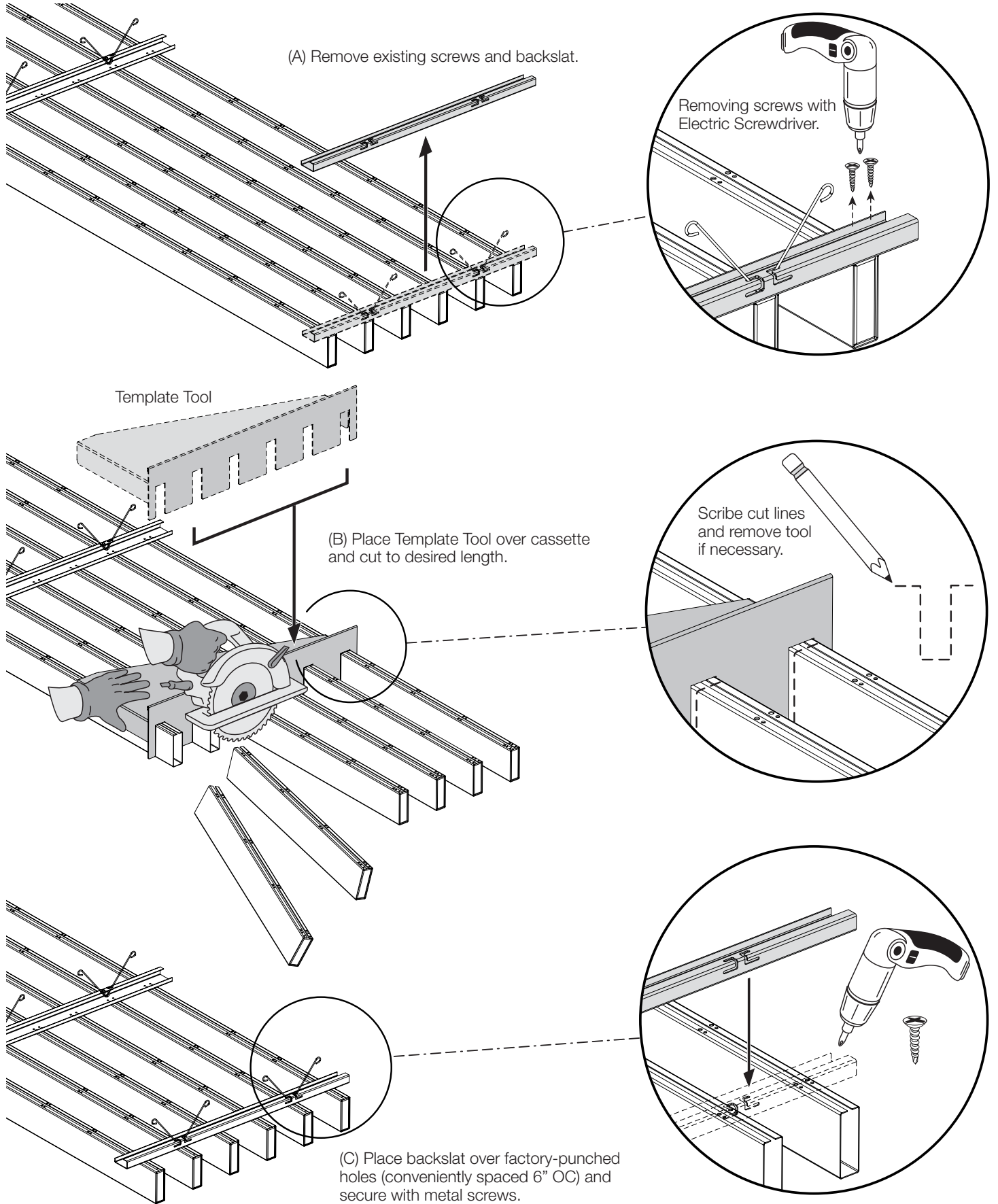
Floating Edge - Grid Concealment



Install cassettes onto grid following previous steps in this manual. Pay special attention to orientation.

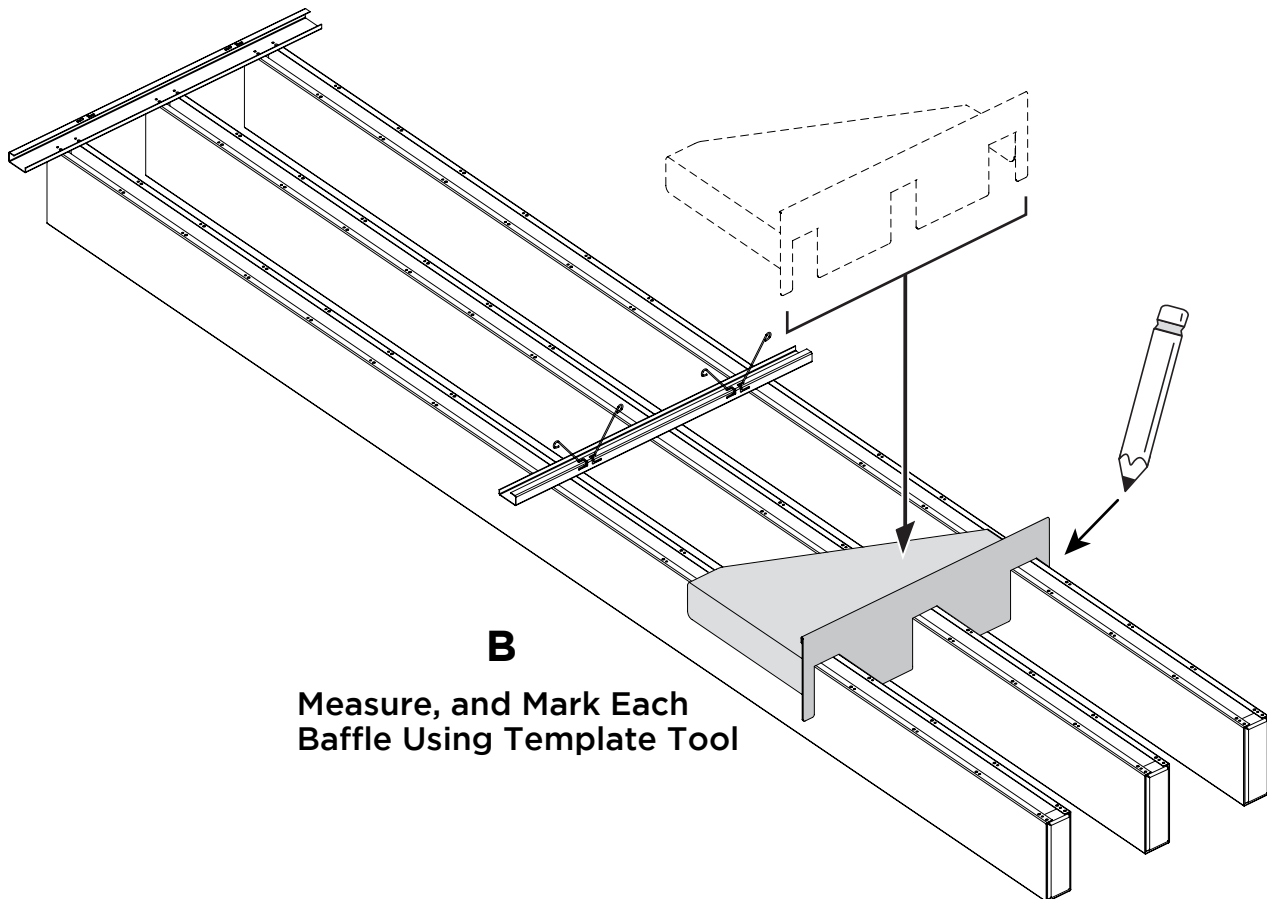
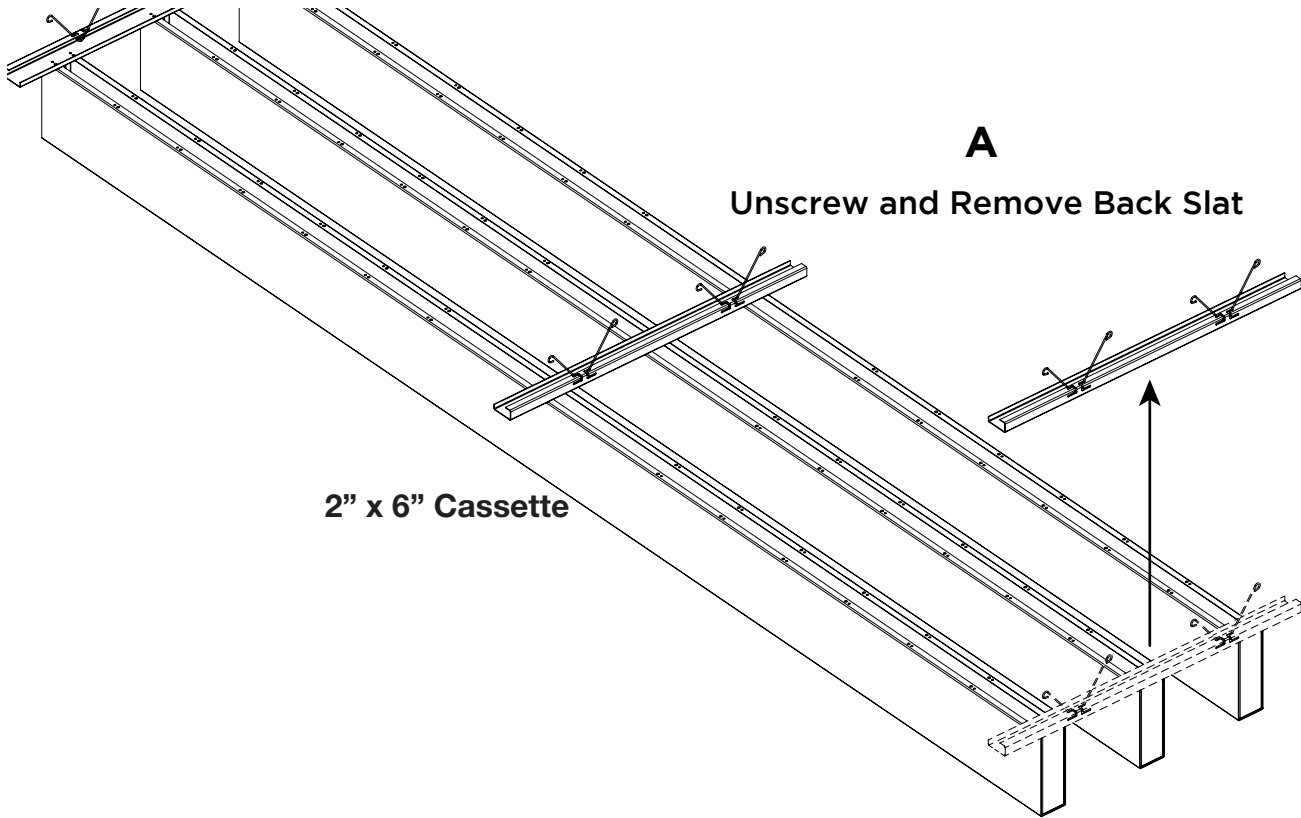
General Installation

Field Cutting



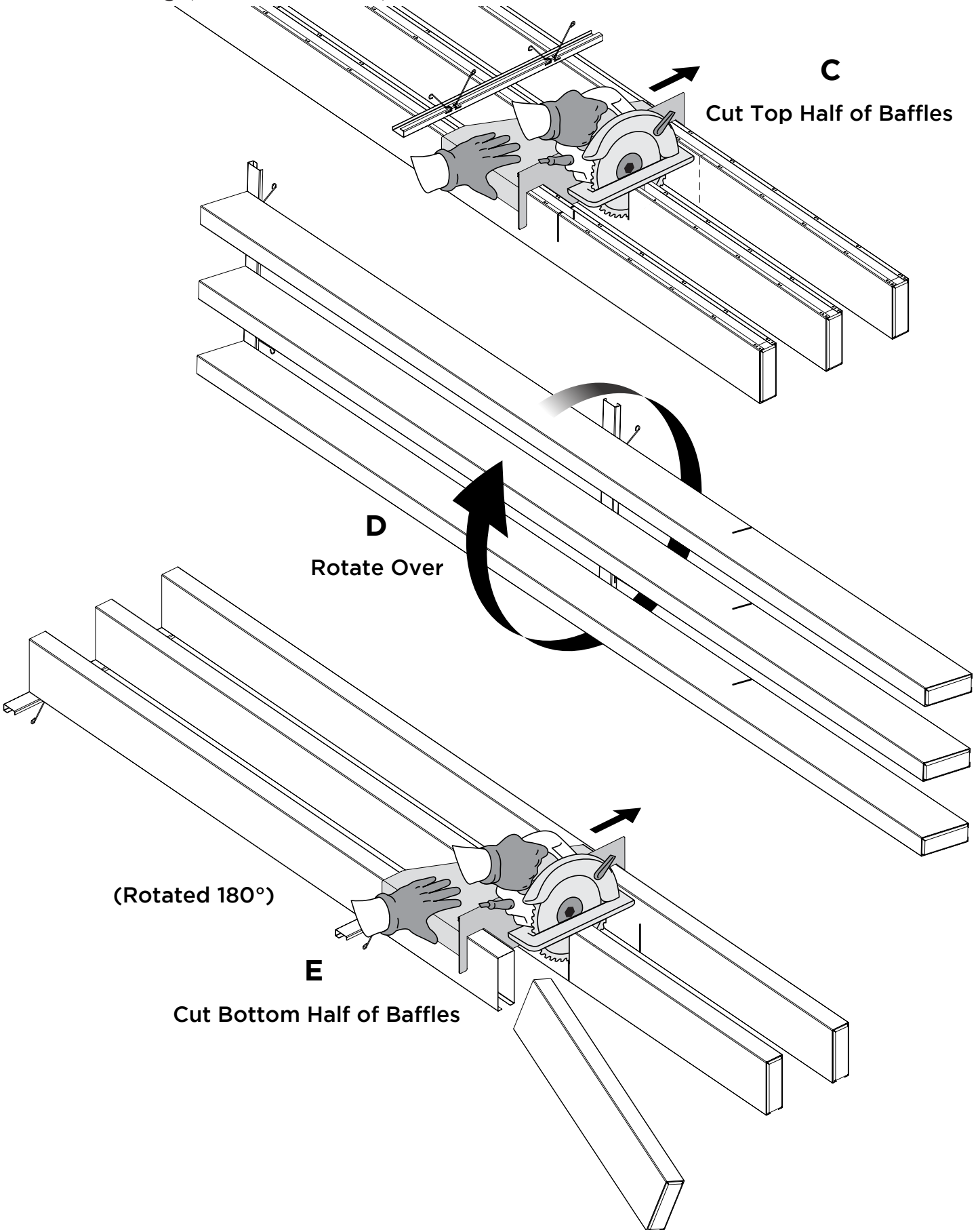
General Installation

Field Cutting (2" x 6" Cassette)



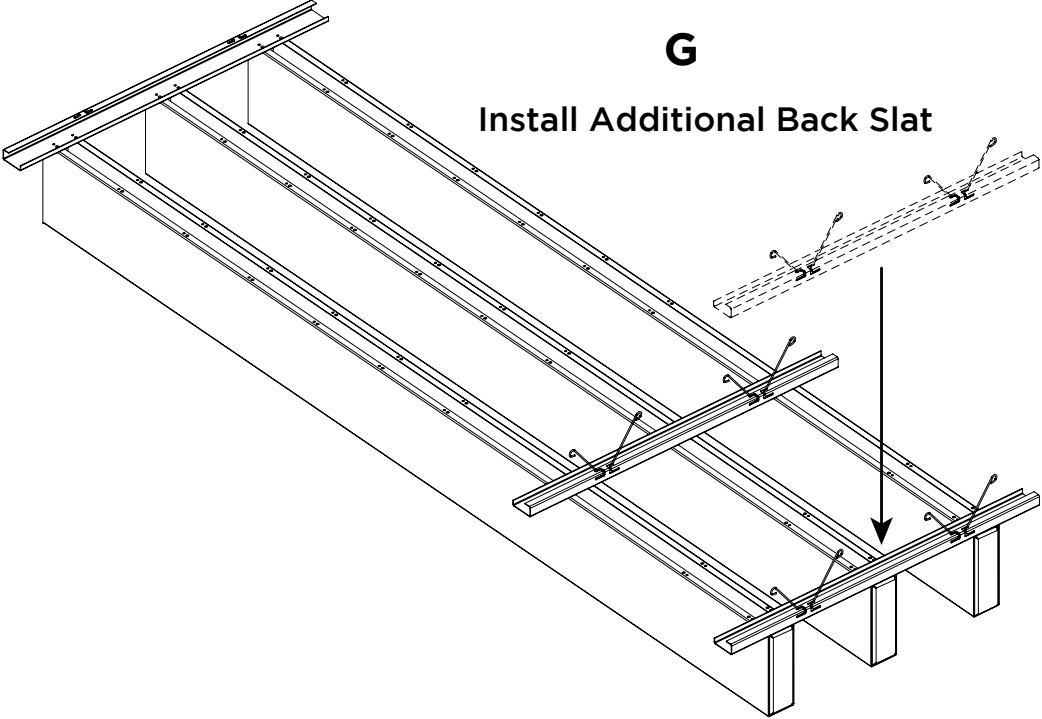
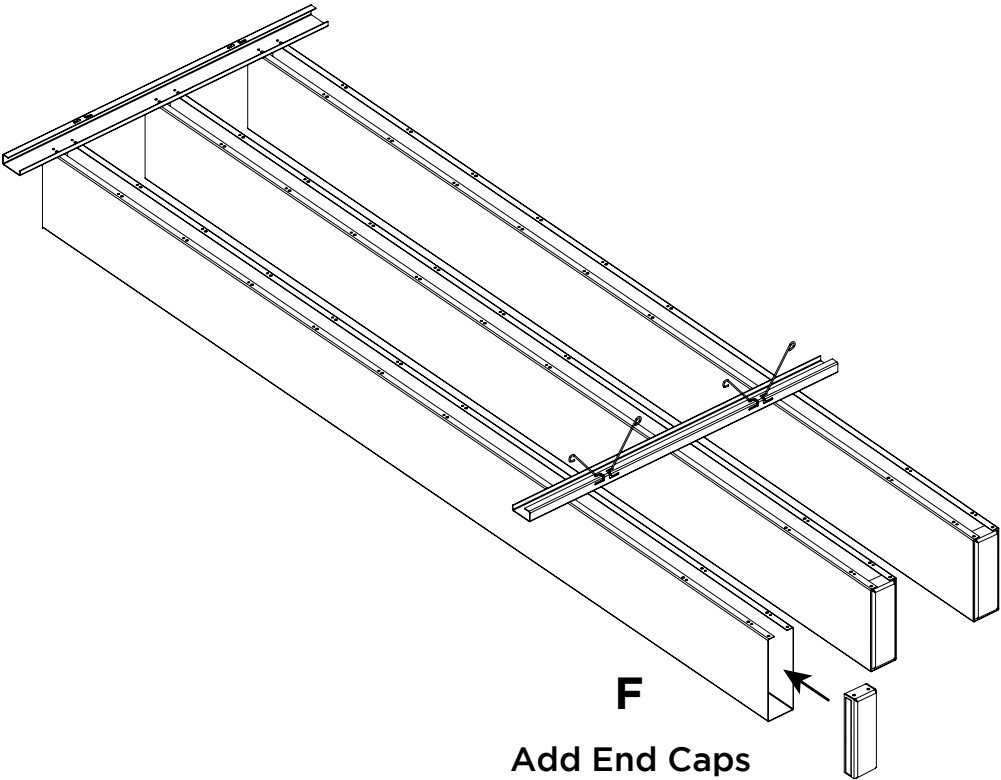
General Installation

Field Cutting (2" x 6" Cassette)



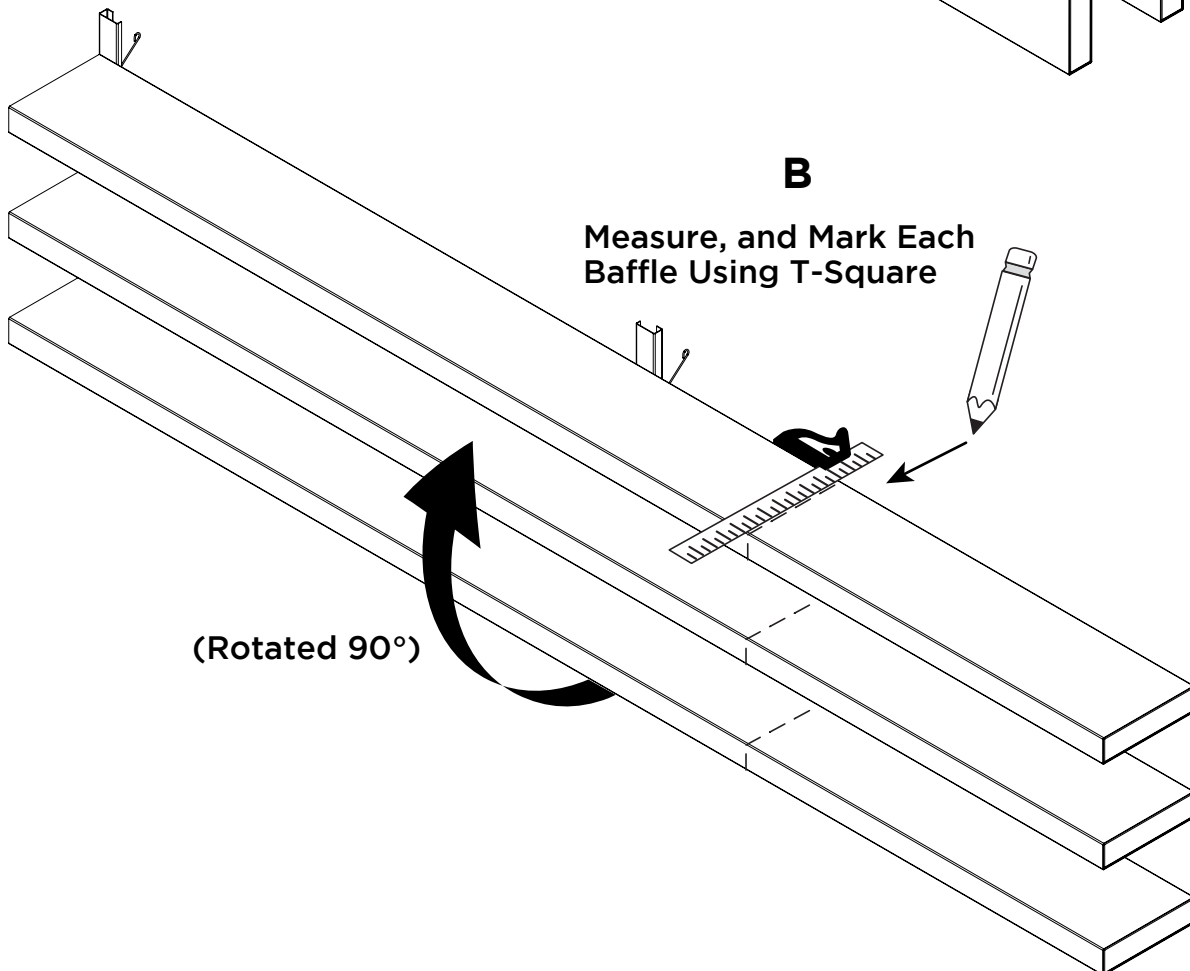
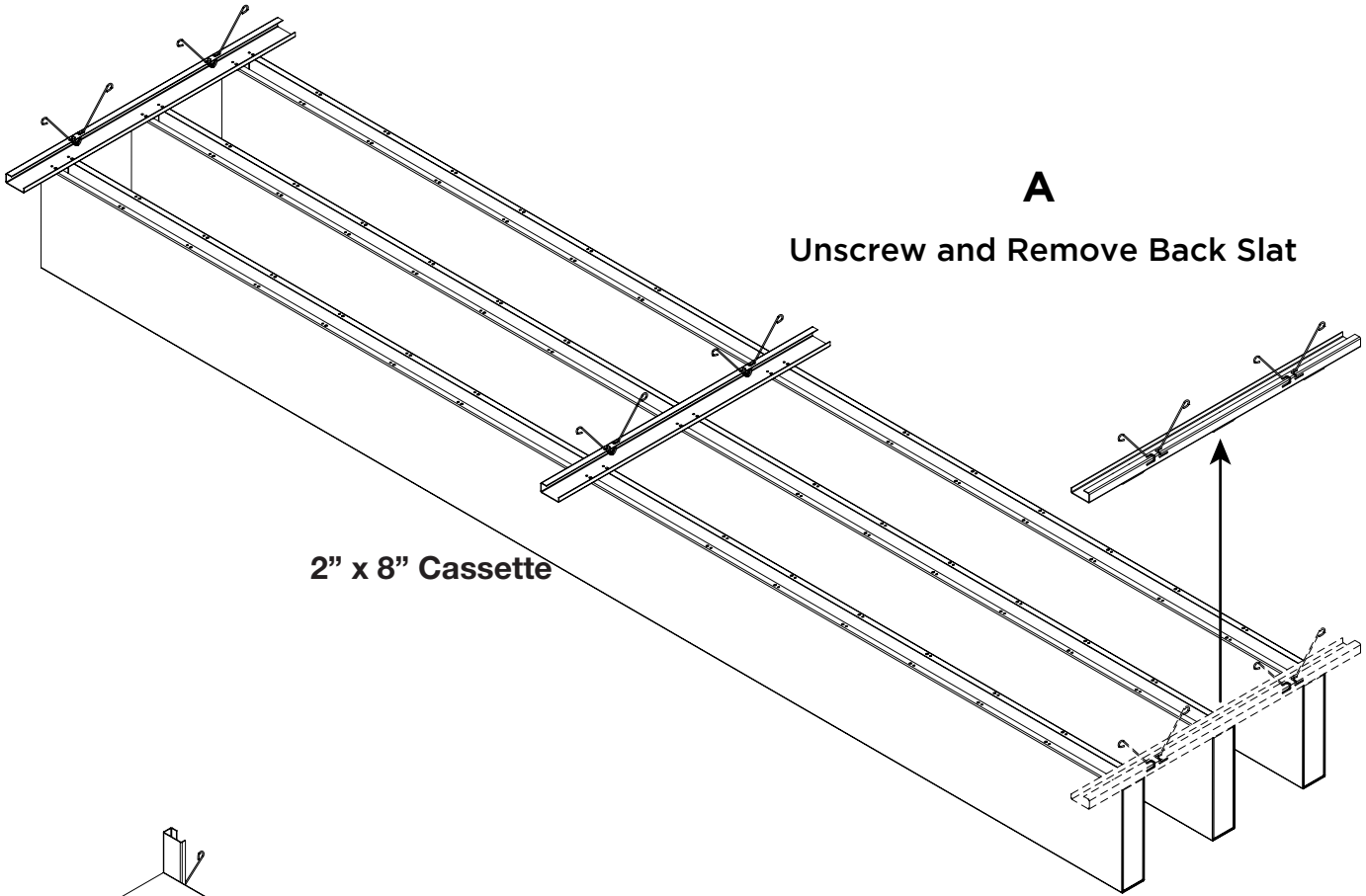
General Installation

Field Cutting (2" x 6" Cassette)



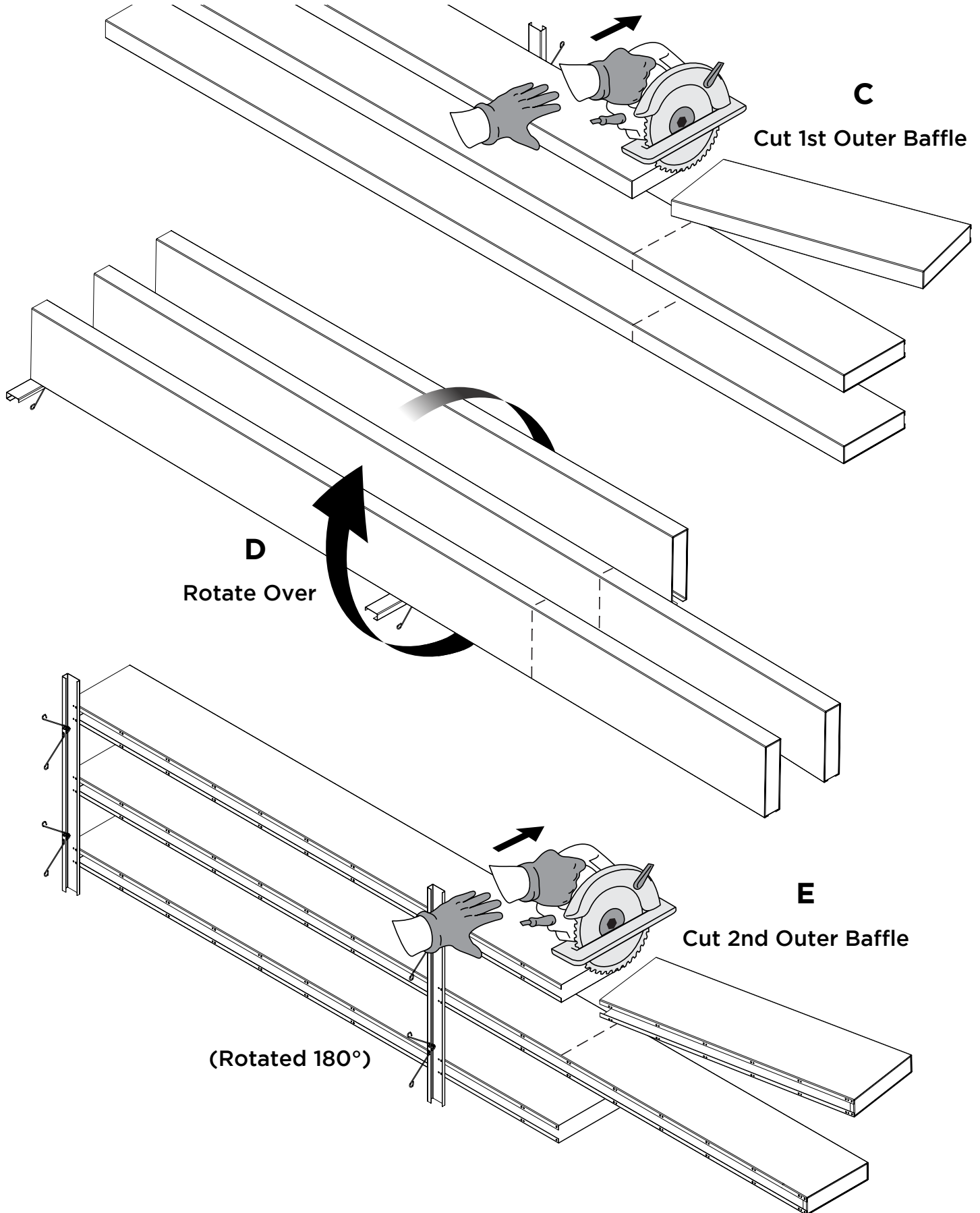
General Installation

Field Cutting (2" x 8" Cassette)



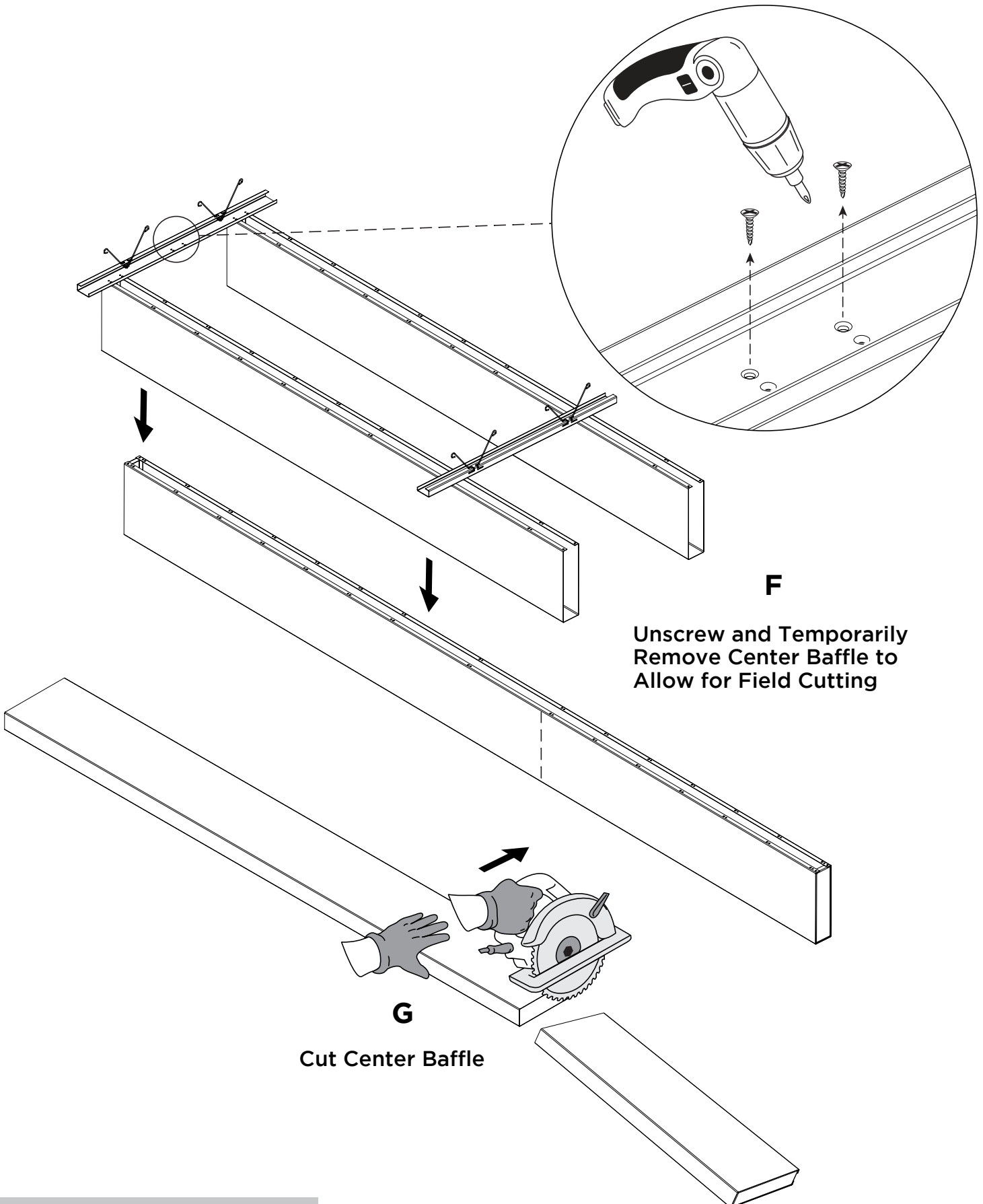
General Installation

Field Cutting (2" x 8" Cassette)



General Installation

Field Cutting (2" x 8" Cassette)



F

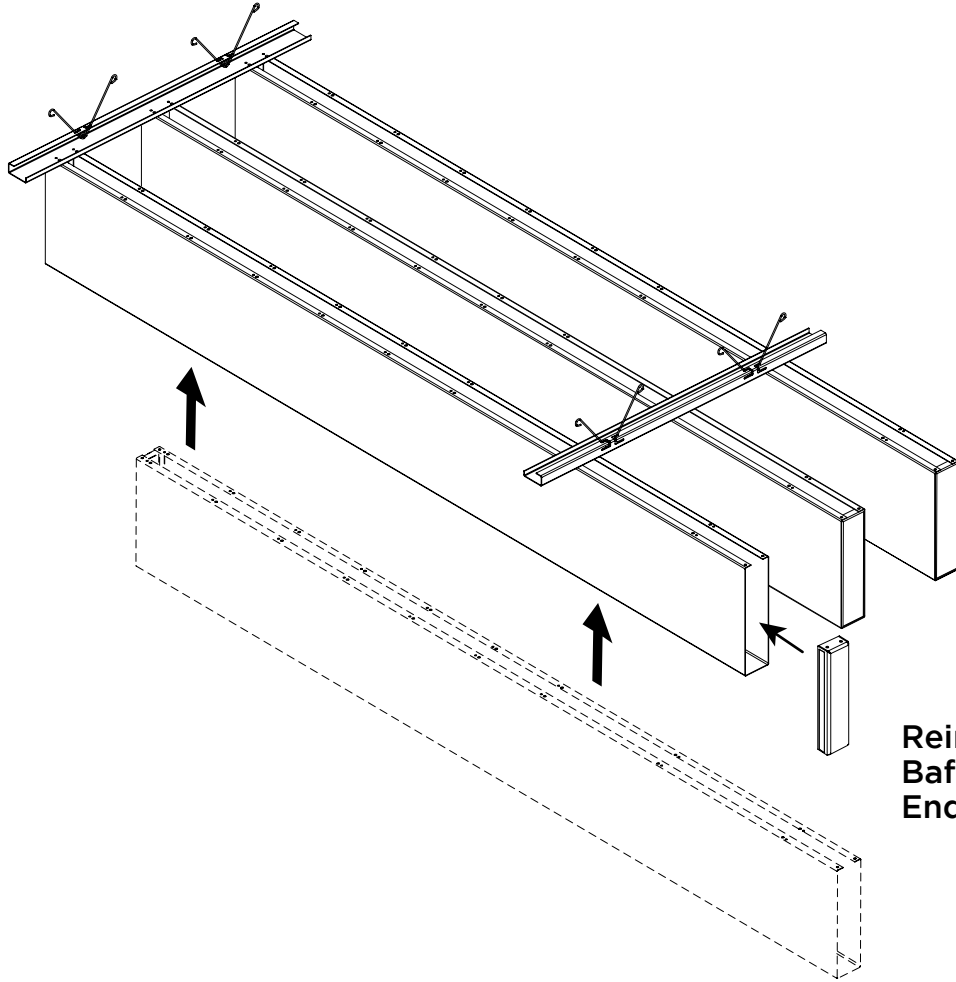
Unscrew and Temporarily
Remove Center Baffle to
Allow for Field Cutting

G

Cut Center Baffle

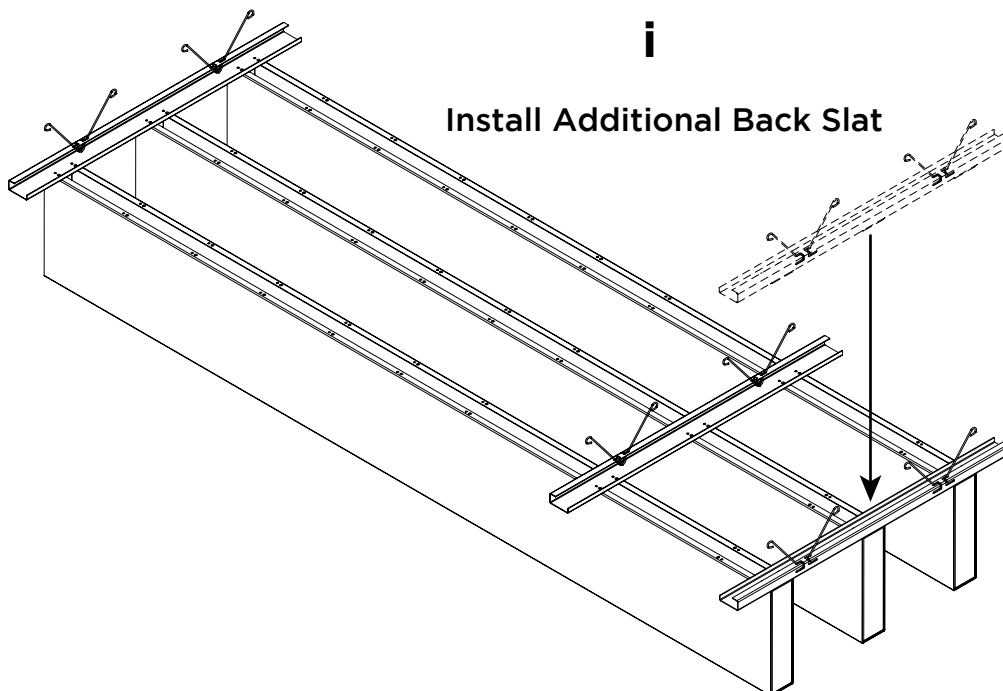
General Installation

Field Cutting (2" x 8" Cassette)



H

Reinstall Center
Baffle and Add
End Caps

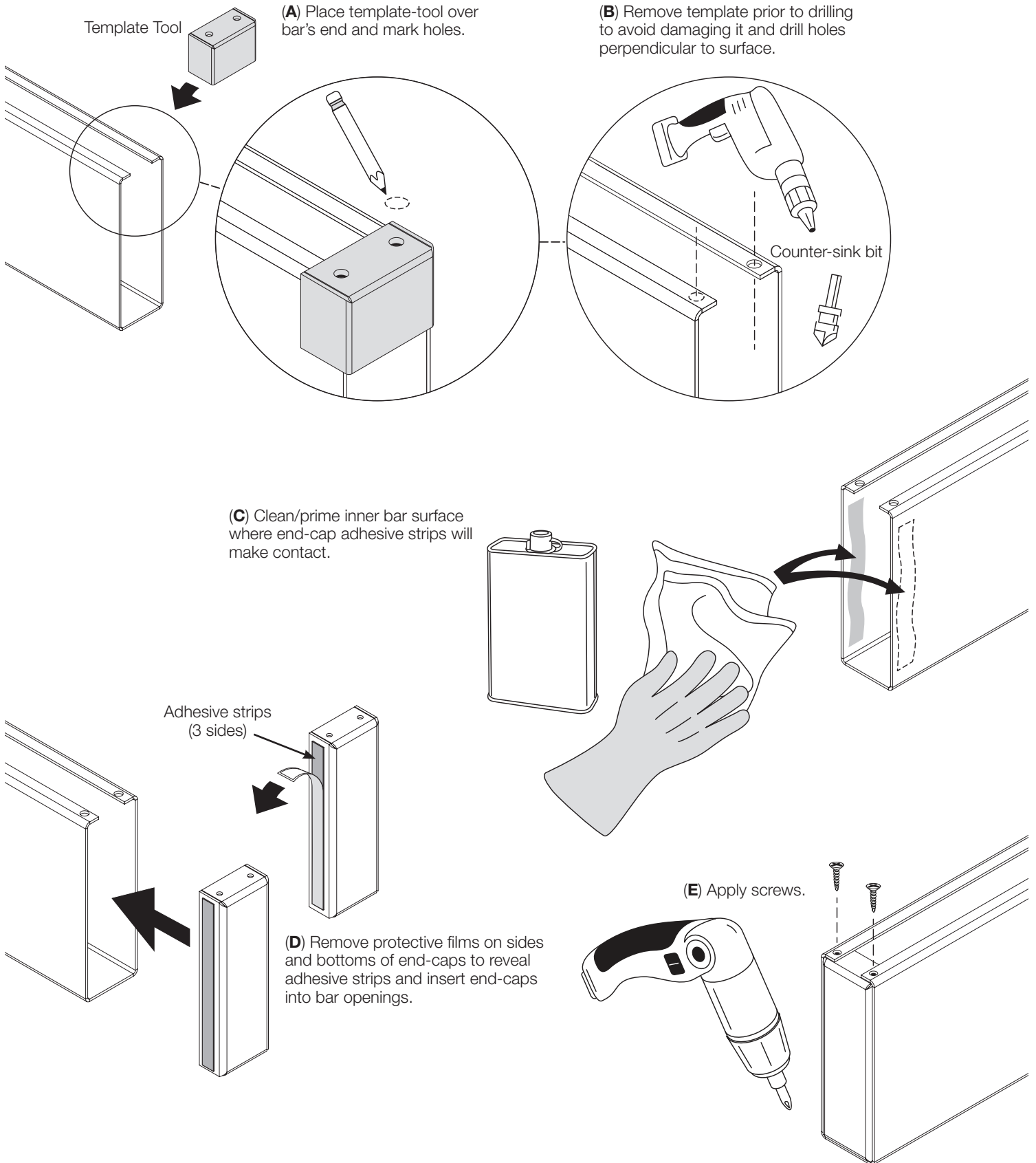


i

Install Additional Back Slat

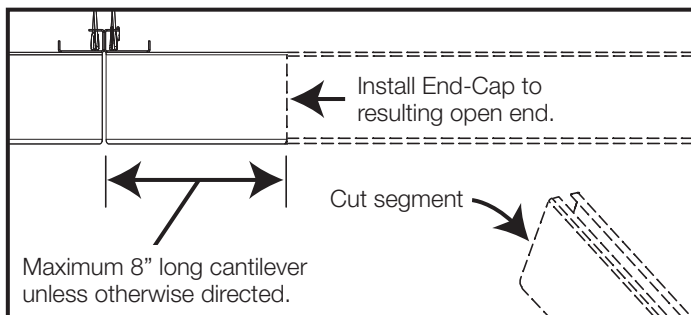
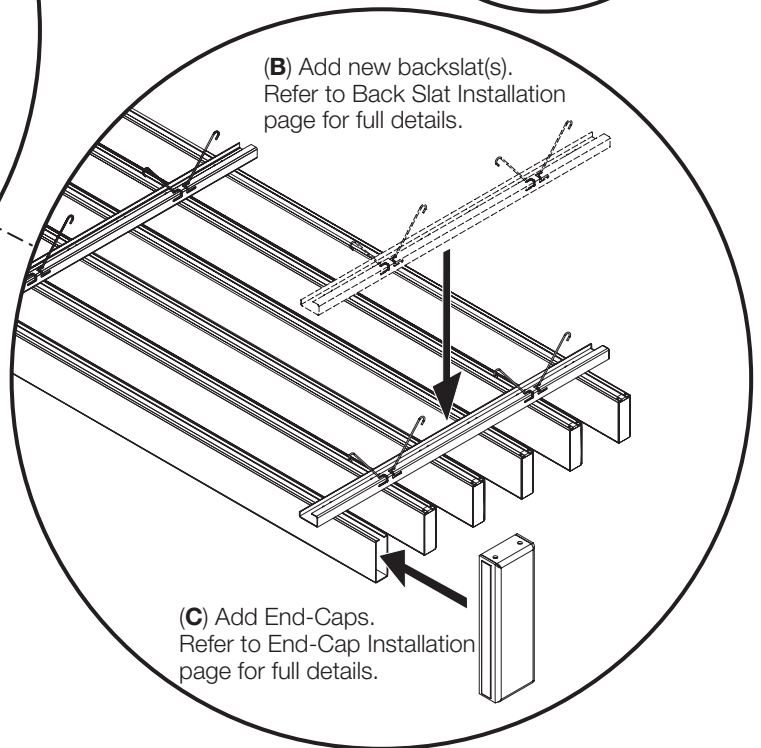
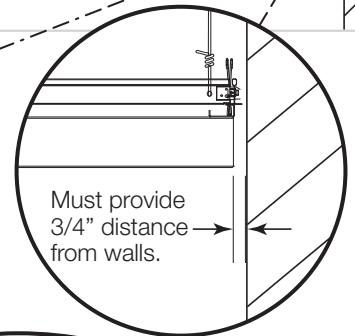
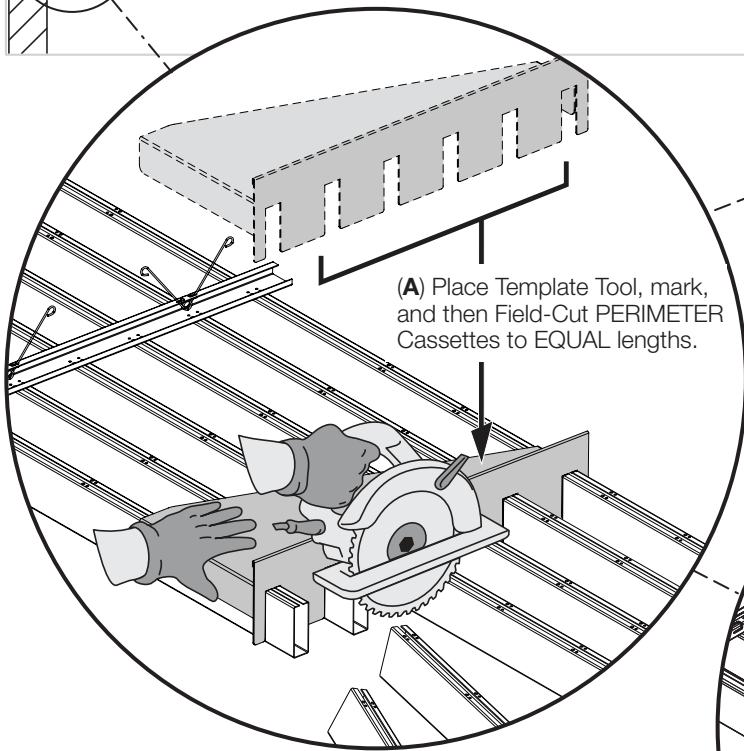
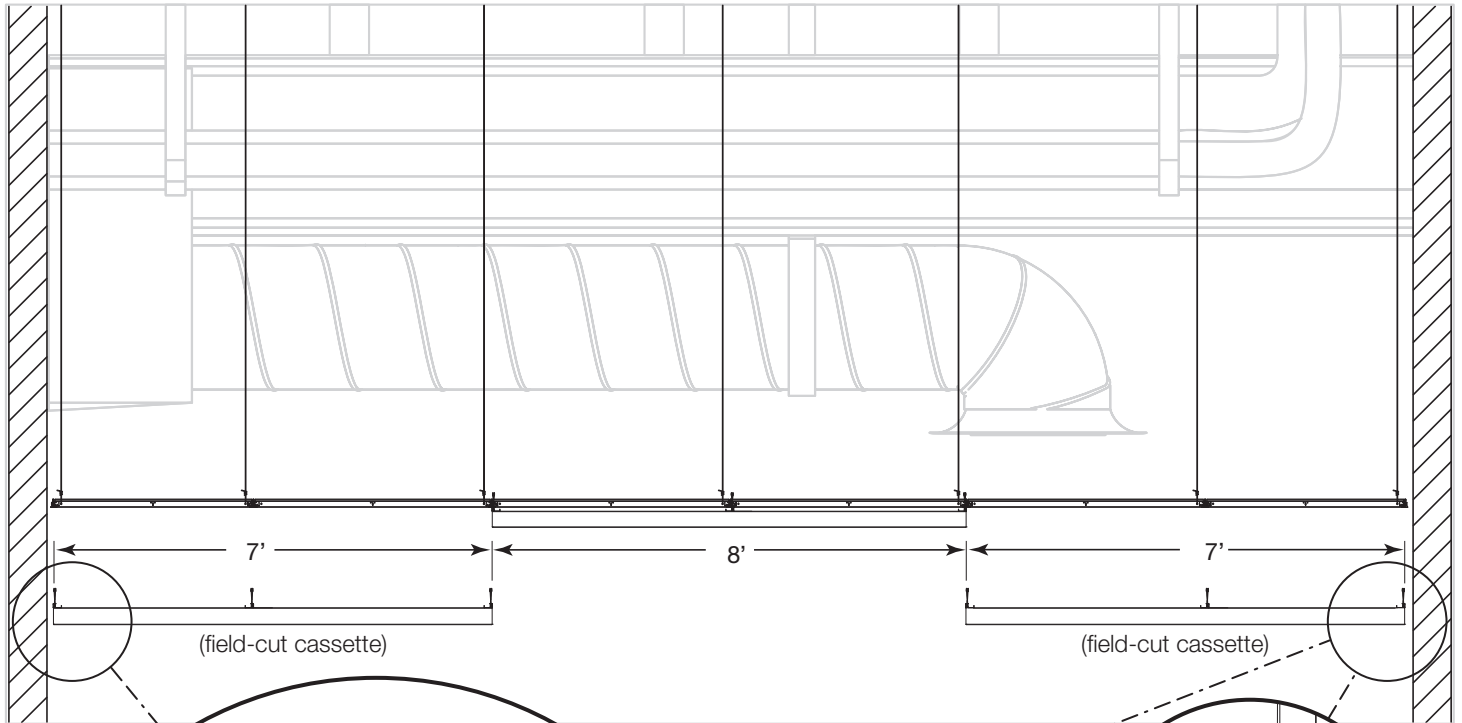
General Installation

Installing End-Caps



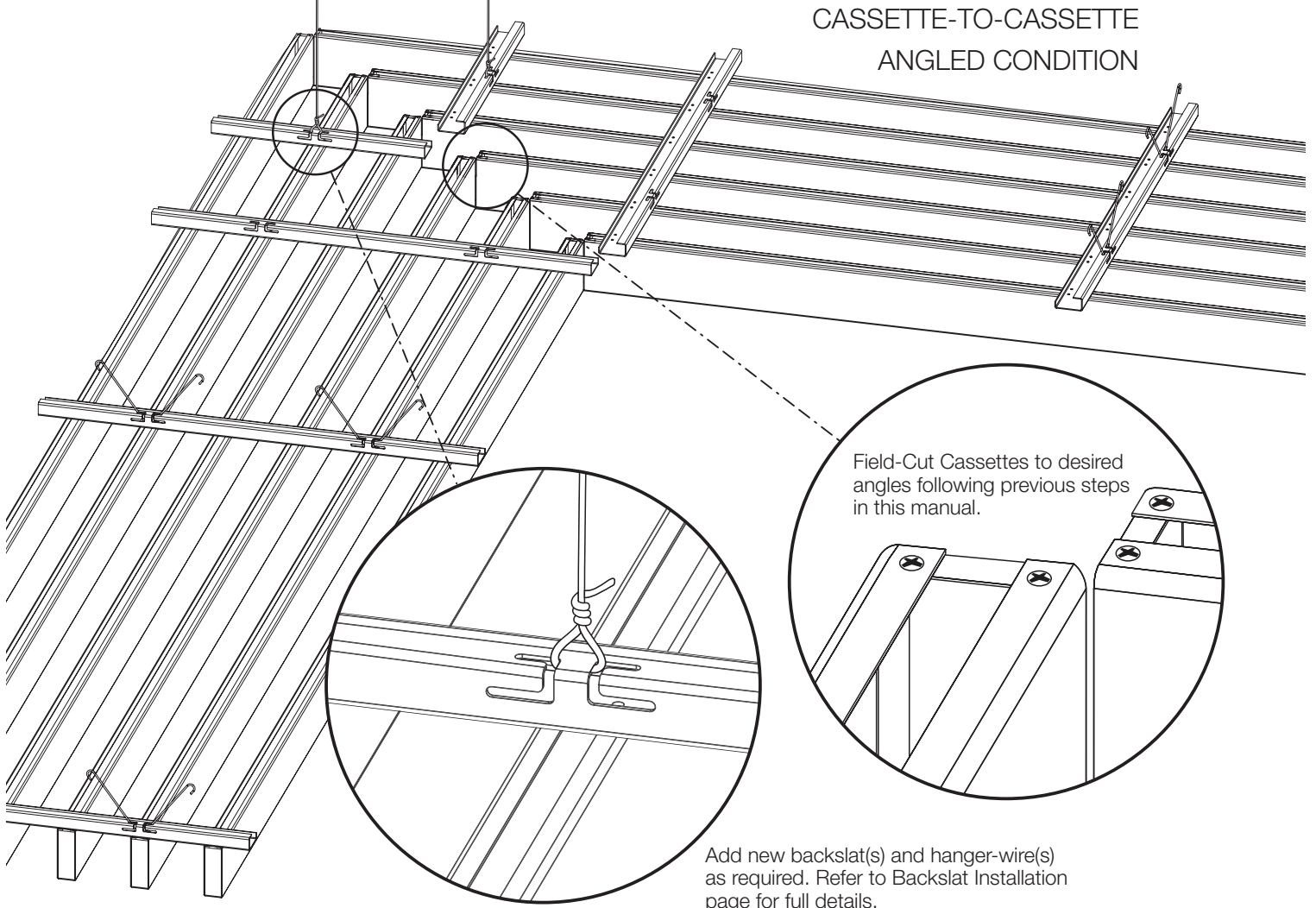
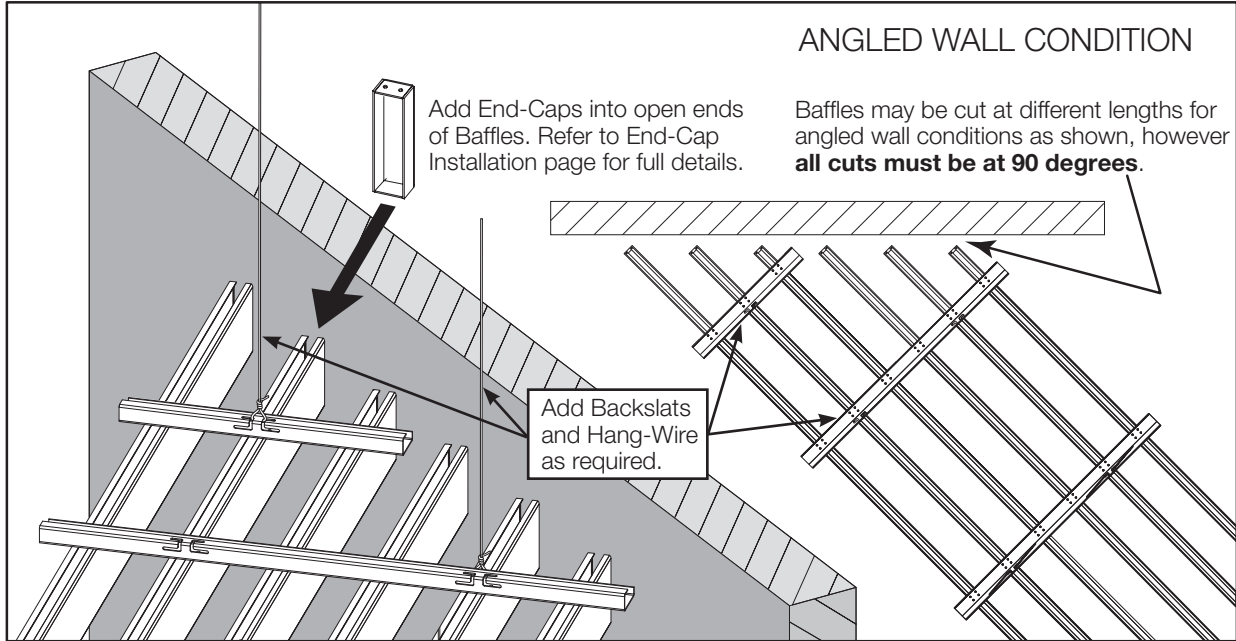
Perimeter Conditions

Straight Wall Condition



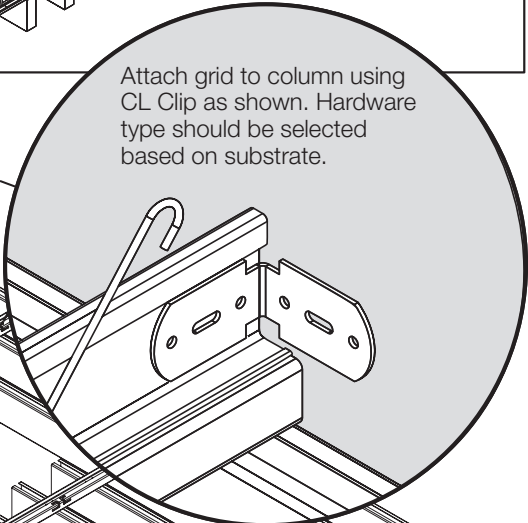
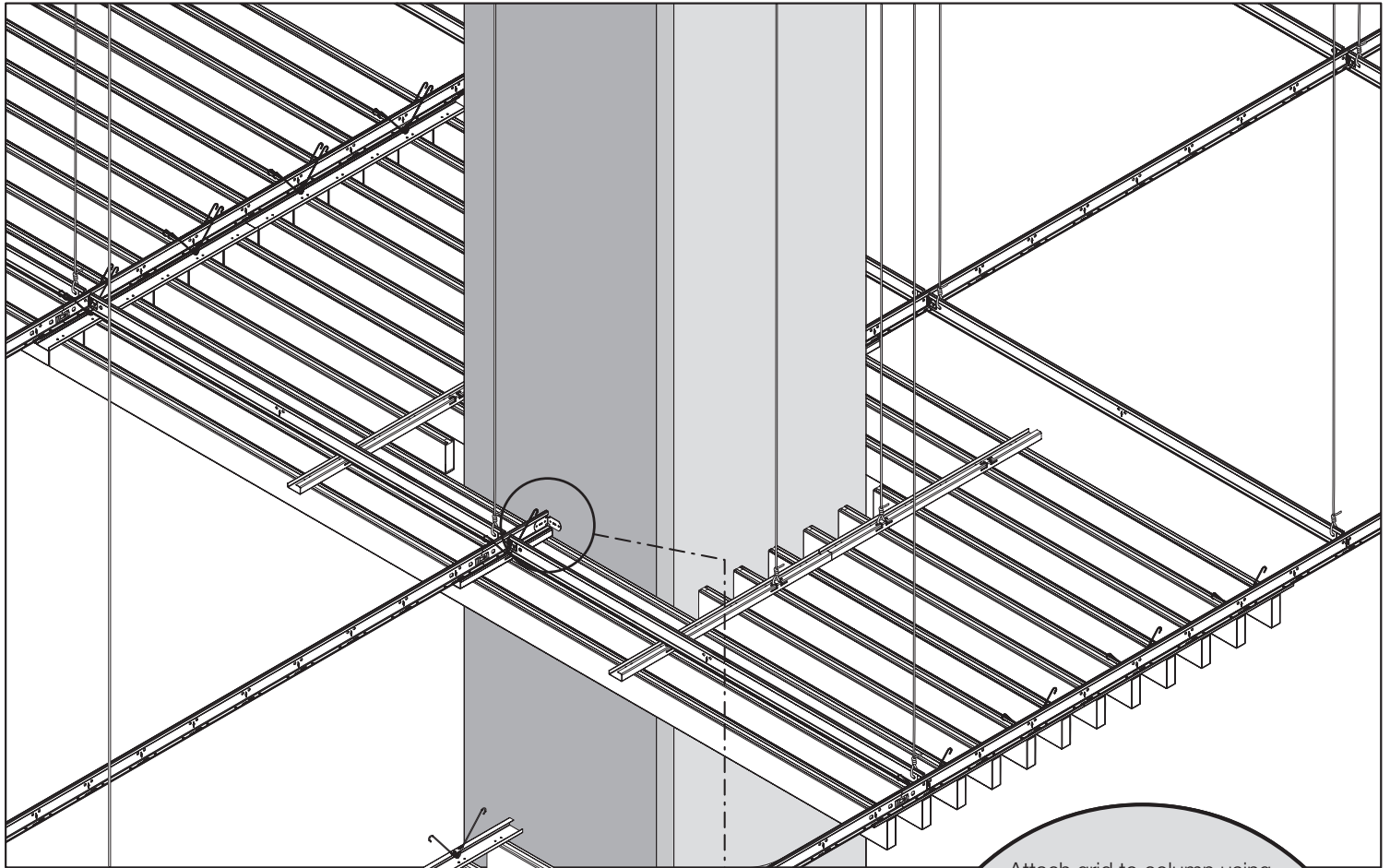
Perimeter Conditions

Angled Wall Condition

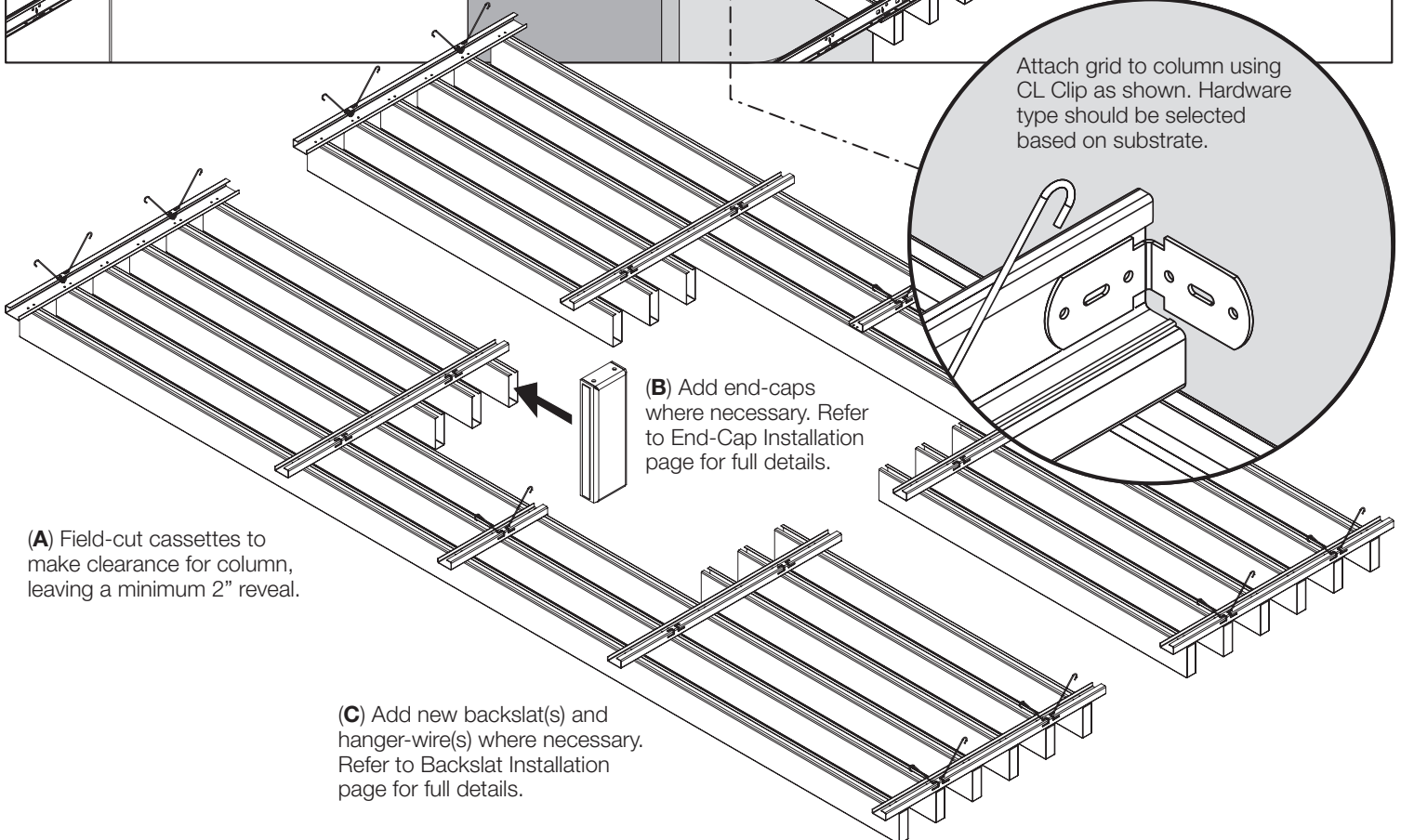


Perimeter Conditions

Column Integration



Attach grid to column using CL Clip as shown. Hardware type should be selected based on substrate.

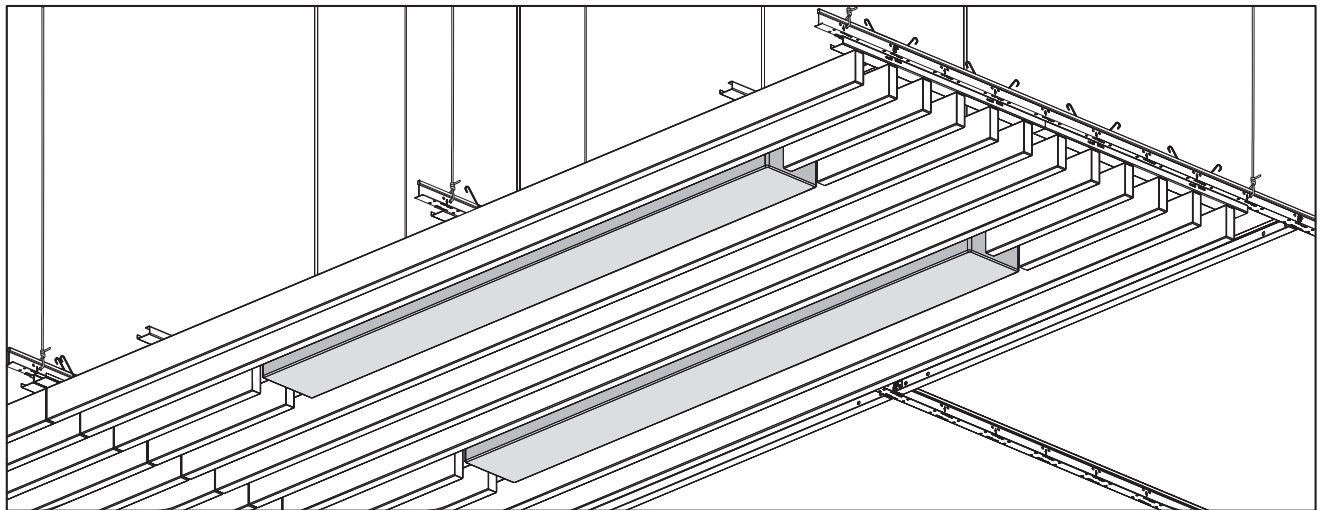
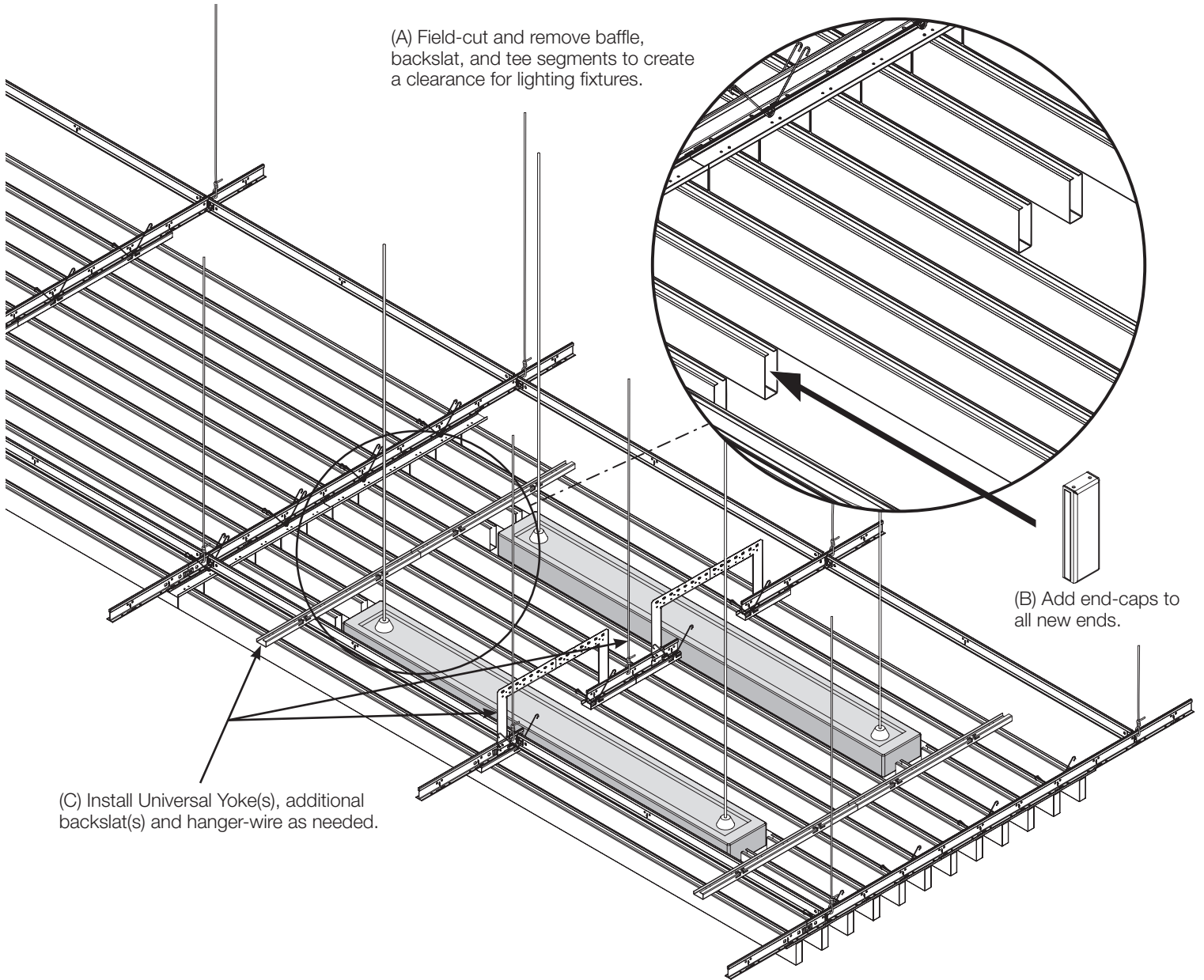


(A) Field-cut cassettes to make clearance for column, leaving a minimum 2" reveal.

(B) Add end-caps where necessary. Refer to End-Cap Installation page for full details.

(C) Add new backslat(s) and hanger-wire(s) where necessary. Refer to Backslat Installation page for full details.

MEP Integration Lighting



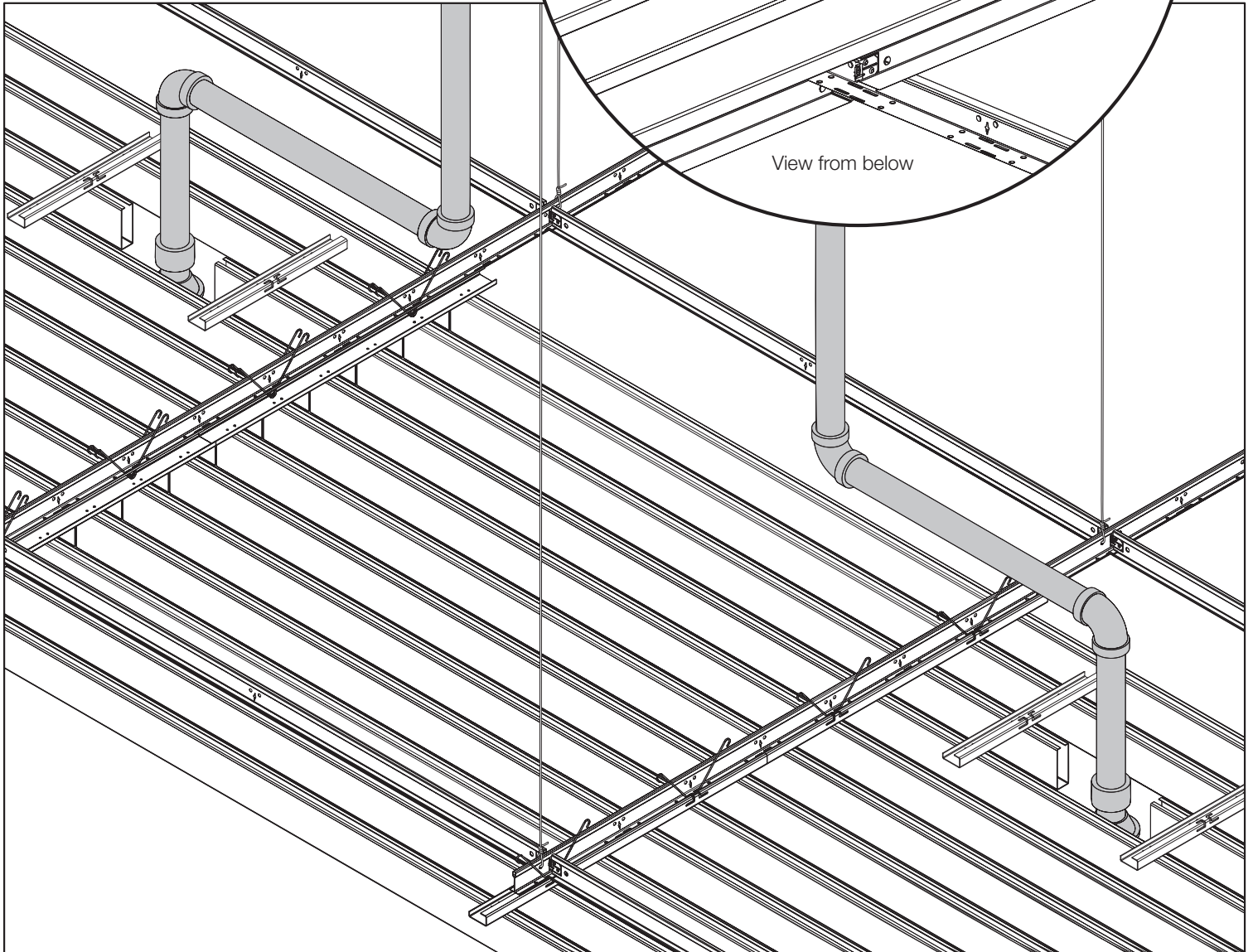
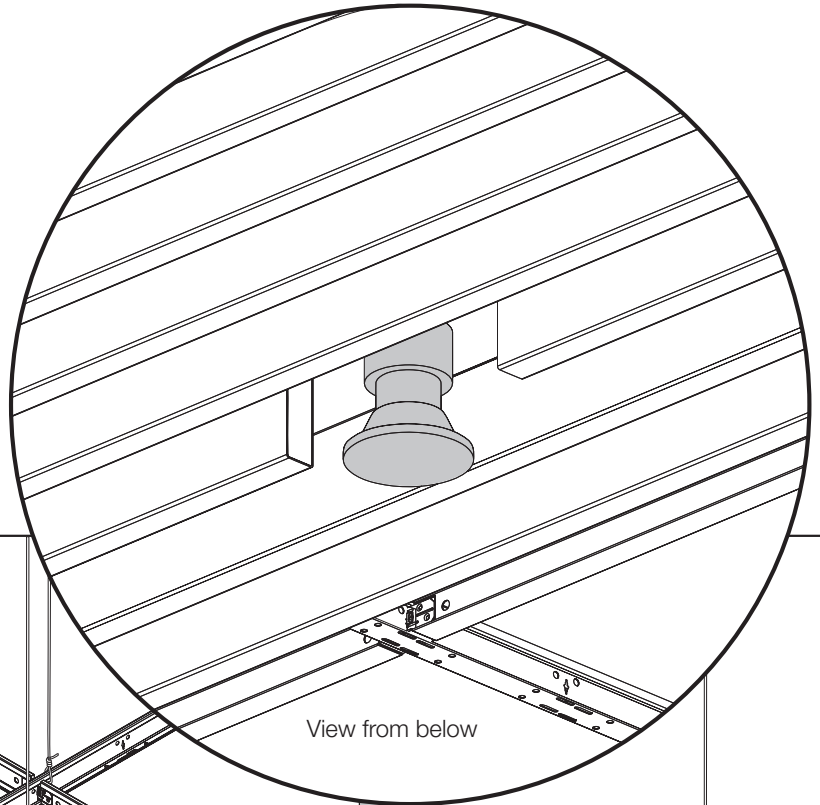
MEP Integration Sprinklers

If BARZ system is NOT open 70% or greater, follow steps below:

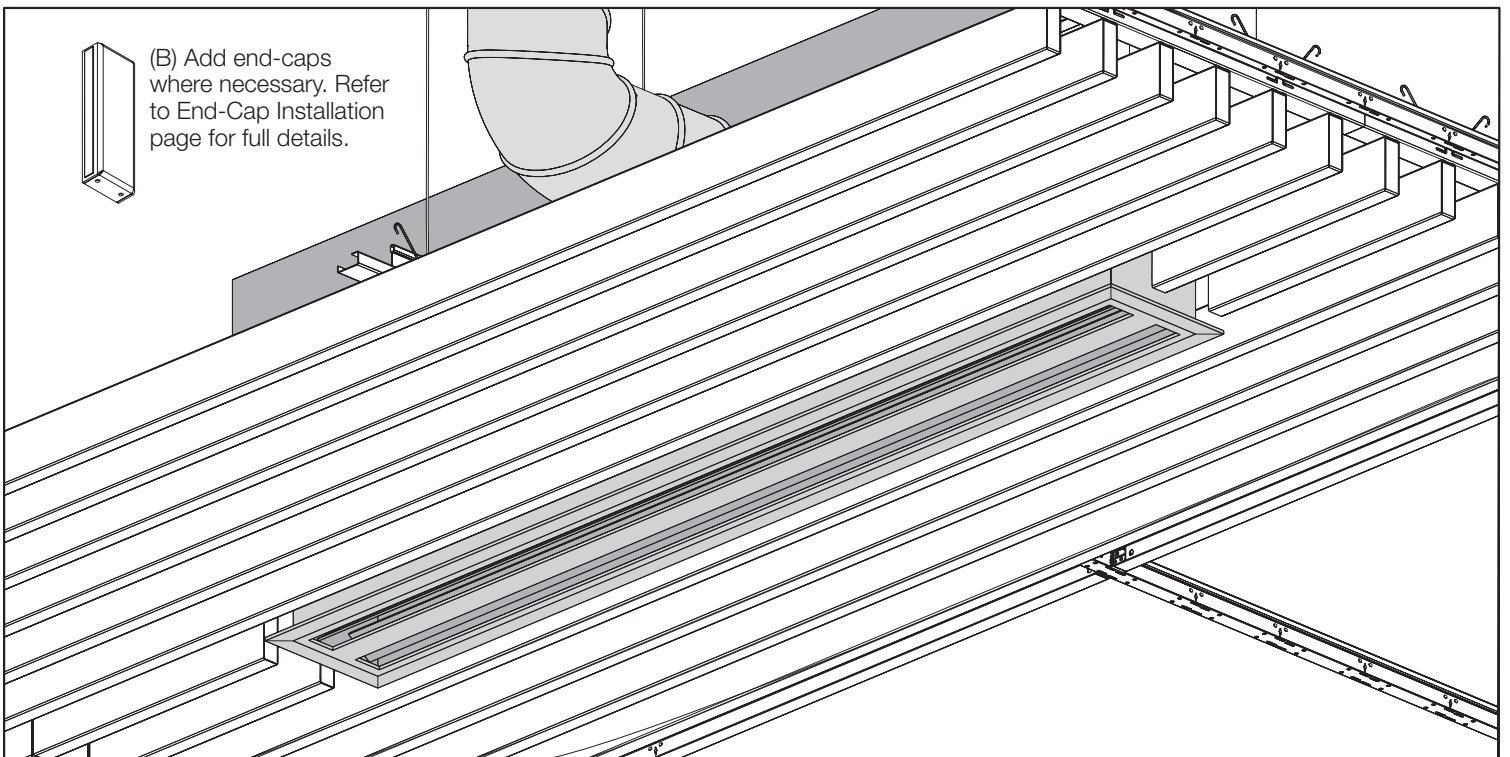
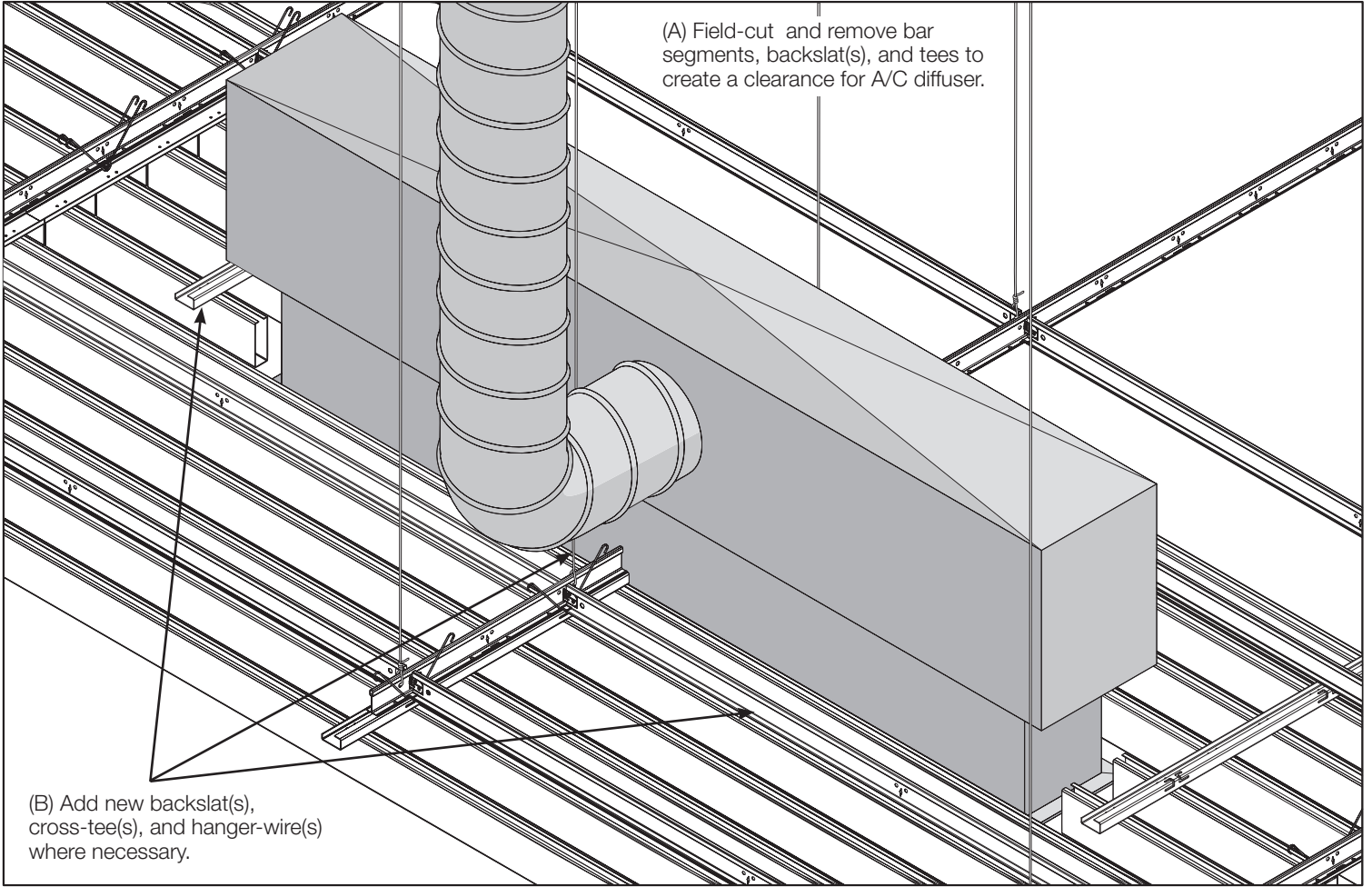
(A) Field-cut and remove bar segments, backslat(s), and tees to create a clearance for Sprinklers.

((B) Add end-caps to all new ends.

(C) Add new backslat(s) and hanger-wire(s) where necessary.

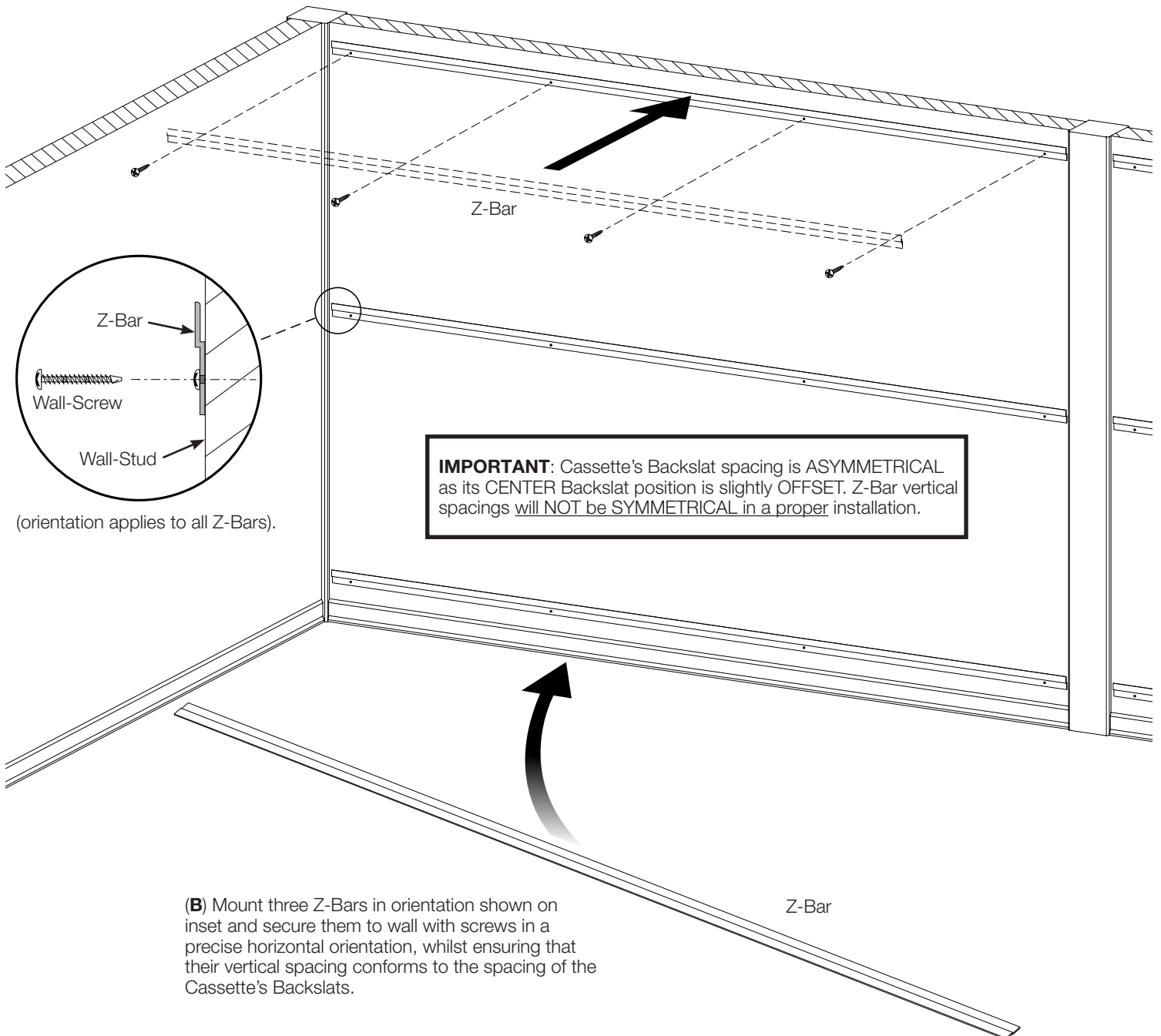
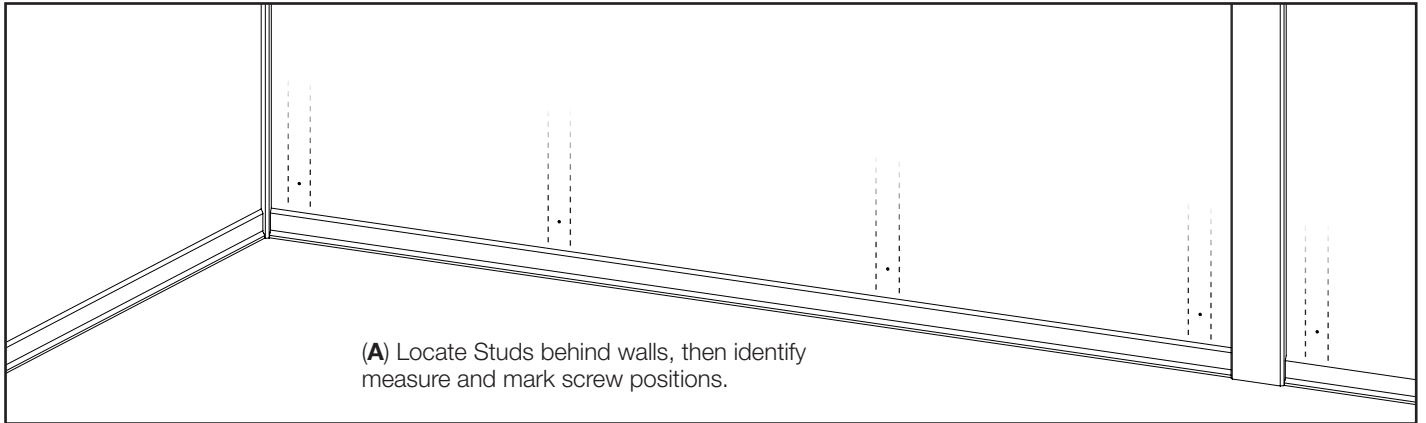


MEP Integration HVAC



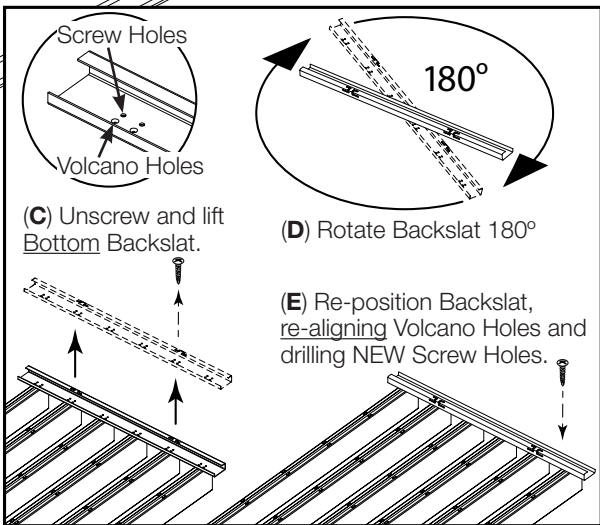
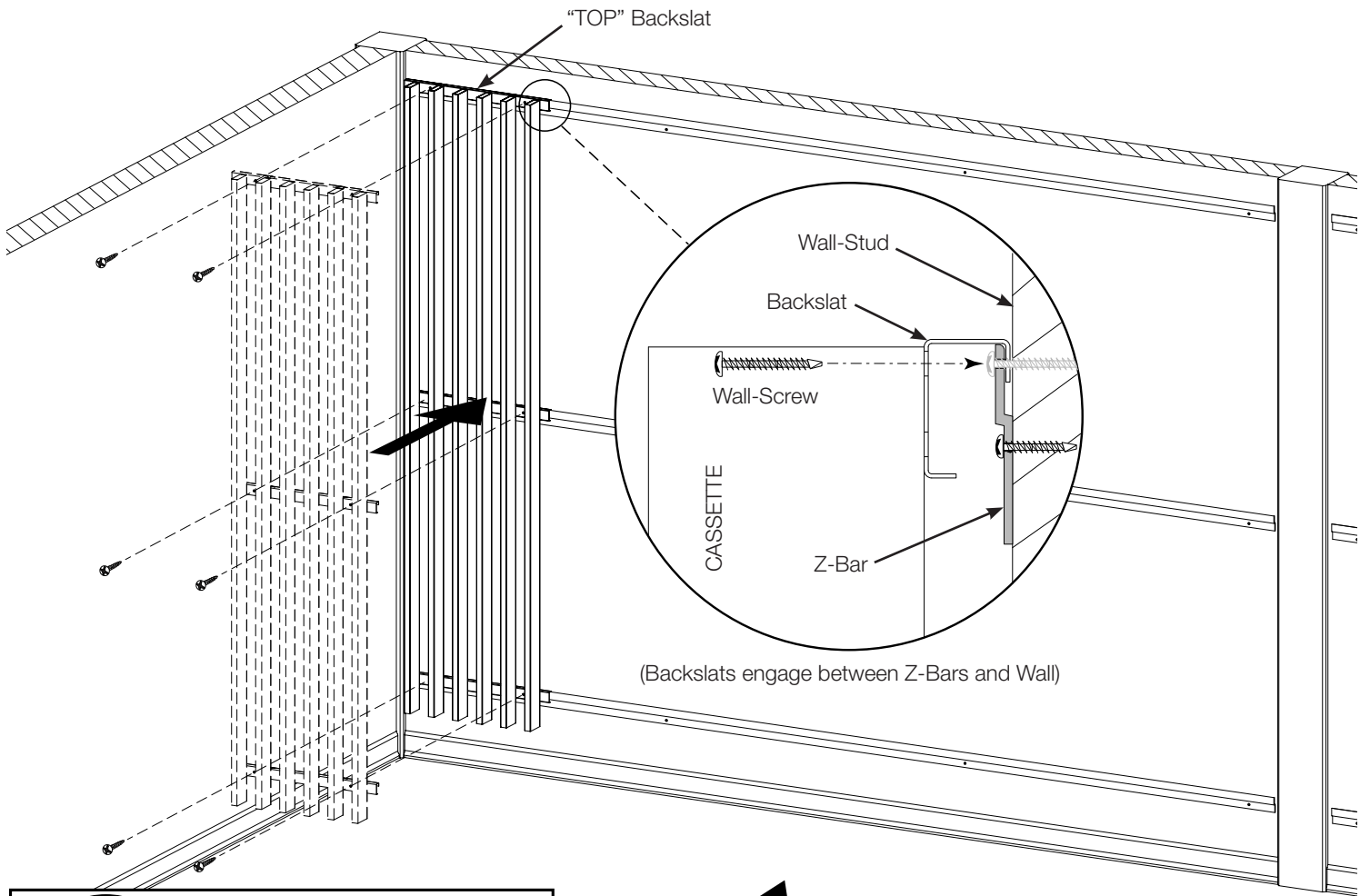
Custom Installations

General Wall Installation

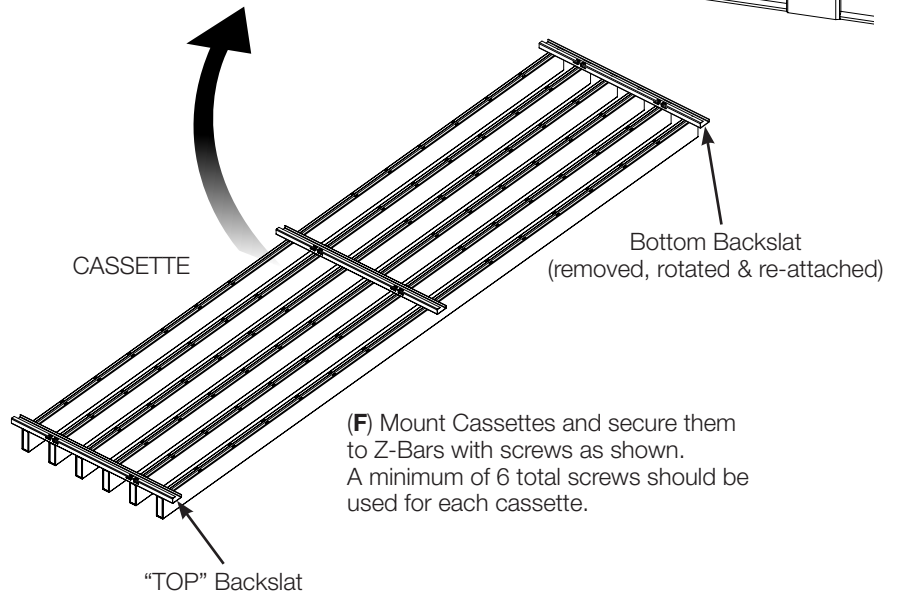


Custom Installations

General Wall Installation

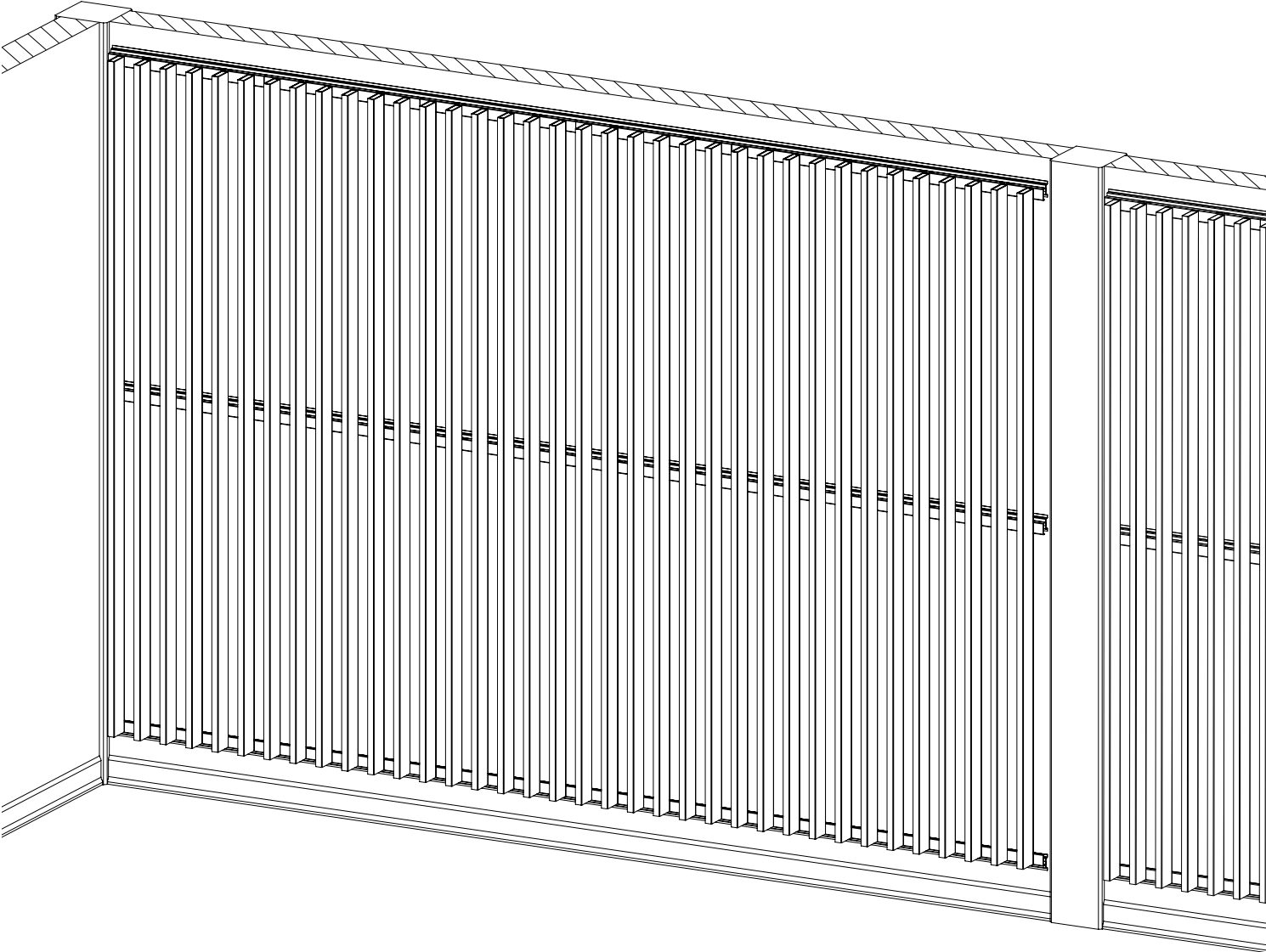


The Bottom Backslat is removed from each Cassette, then rotated and re-attached so that all 3 Backslats result in an identical orientation to allow for mounting onto Z-Bars.



Custom Installations

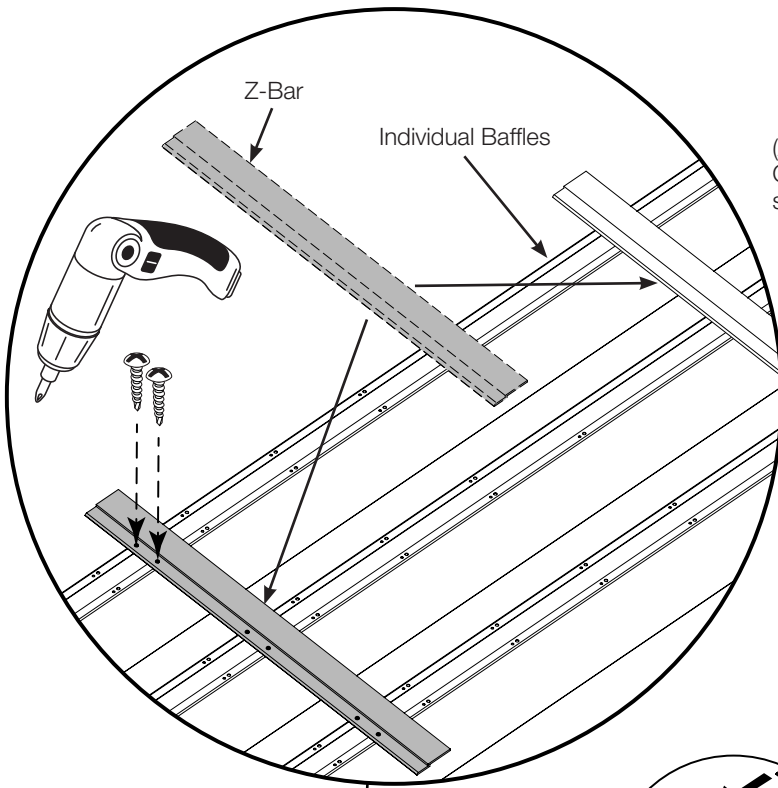
General Wall Installation



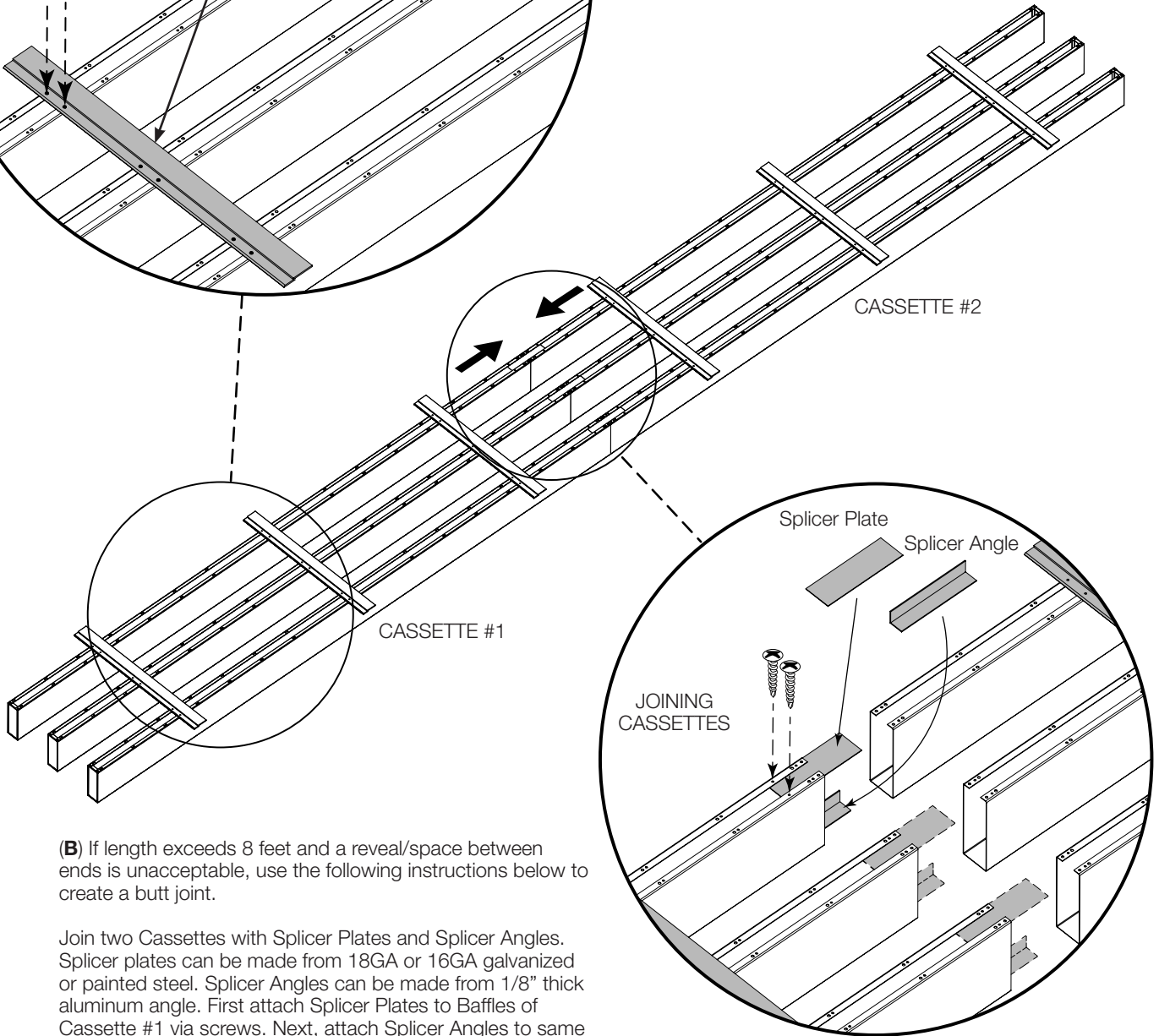
FULLY INSTALLED WALL APPLICATION

Custom Installations

Custom Cassette - Wall Installation



(A) Align individual Baffles, forming a group to build a custom Cassette. Next, attach three Z-Bars to Cassette group with screws, drilling new screw holes as necessary.

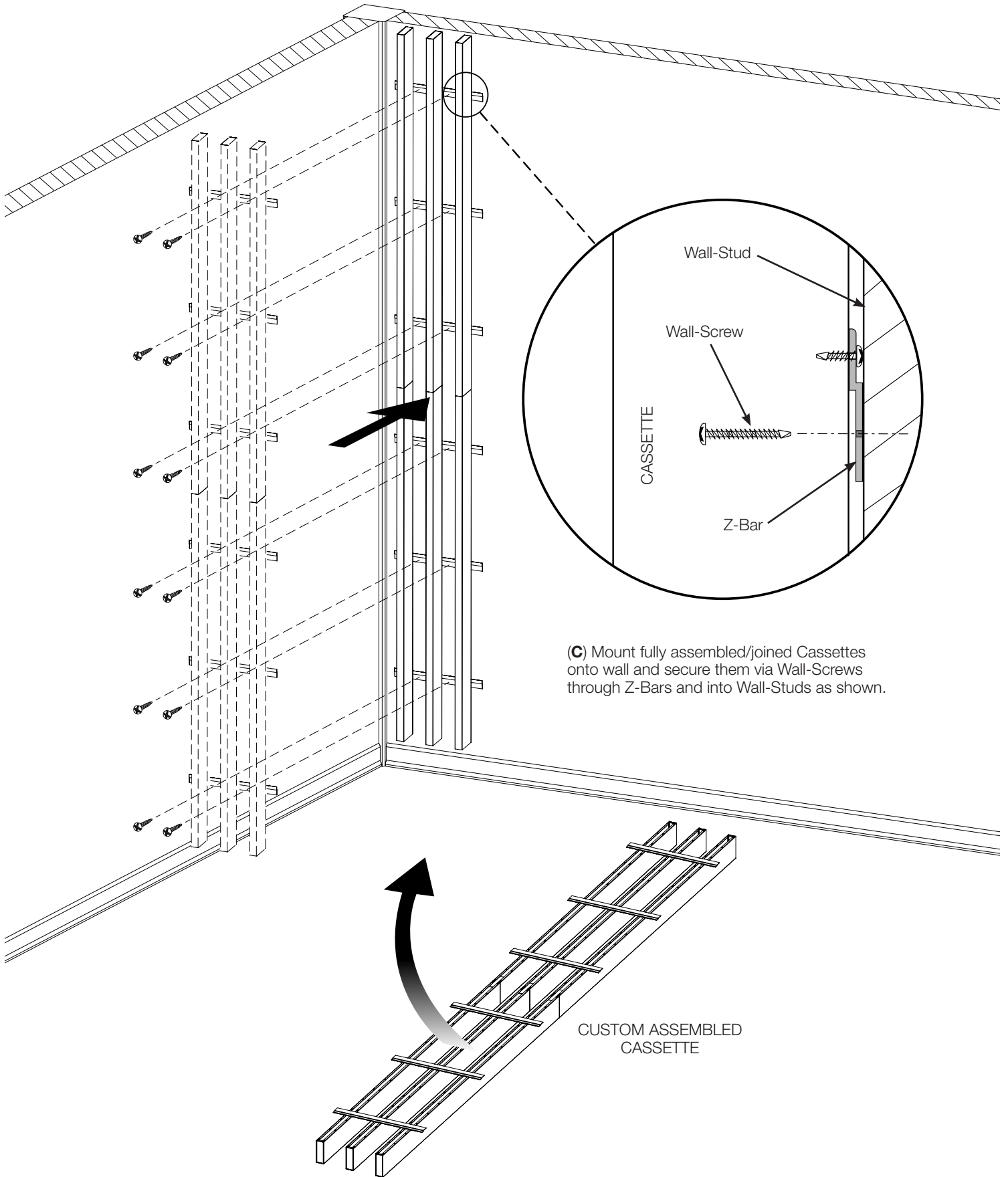


(B) If length exceeds 8 feet and a reveal/space between ends is unacceptable, use the following instructions below to create a butt joint.

Join two Cassettes with Splicer Plates and Splicer Angles. Splicer plates can be made from 18GA or 16GA galvanized or painted steel. Splicer Angles can be made from 1/8" thick aluminum angle. First attach Splicer Plates to Baffles of Cassette #1 via screws. Next, attach Splicer Angles to same Baffles via Double-Sided Tape. Lastly, align Cassette #2 by butting it up to Cassette #1 and finish attachment using same steps as above for both Splicer Plates and Angles.

Custom Installations

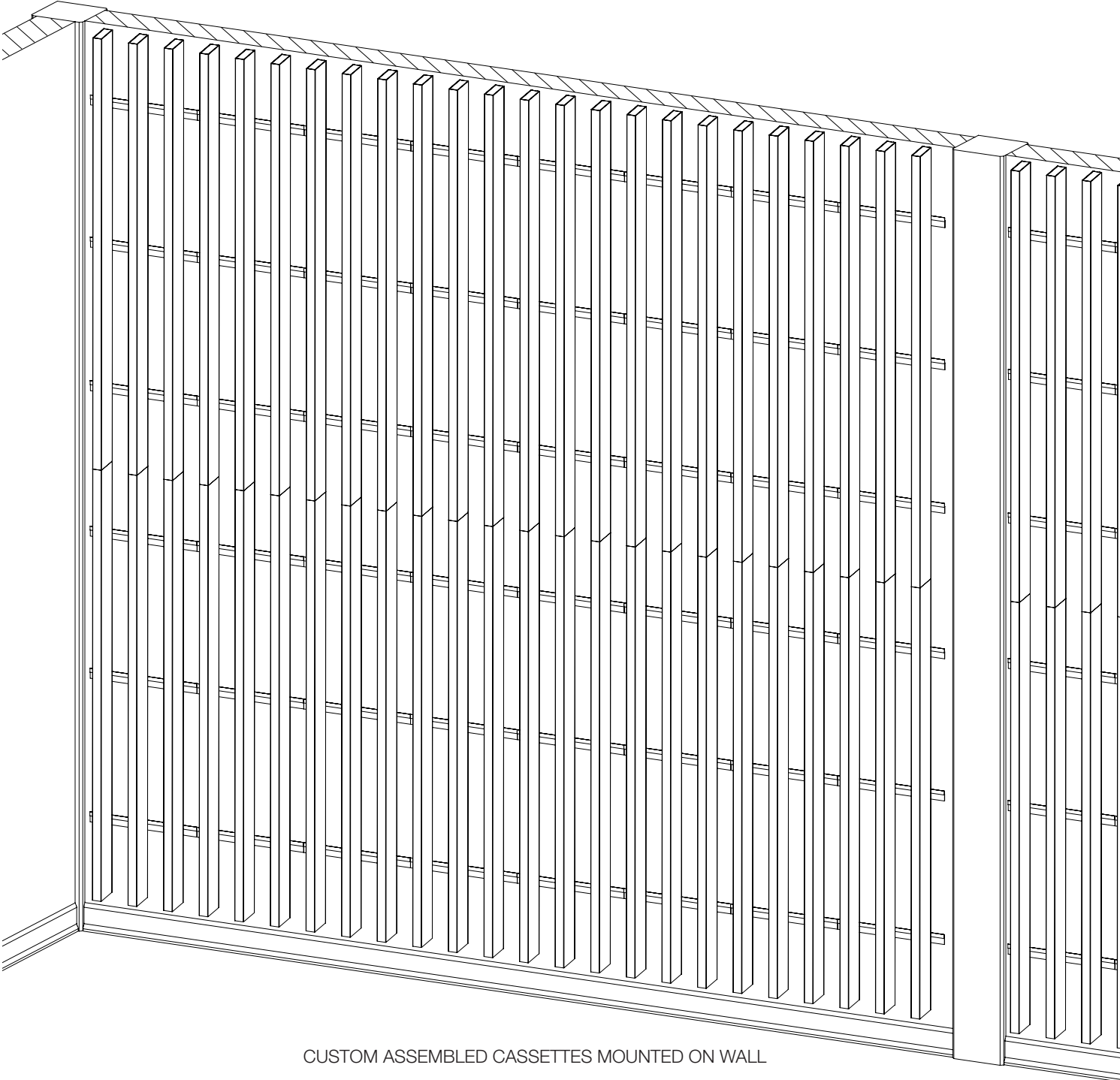
Custom Cassette - Wall Installation



(C) Mount fully assembled/joined Cassettes onto wall and secure them via Wall-Screws through Z-Bars and into Wall-Studs as shown.

Custom Installations

Custom Cassette - Fully Installed Wall

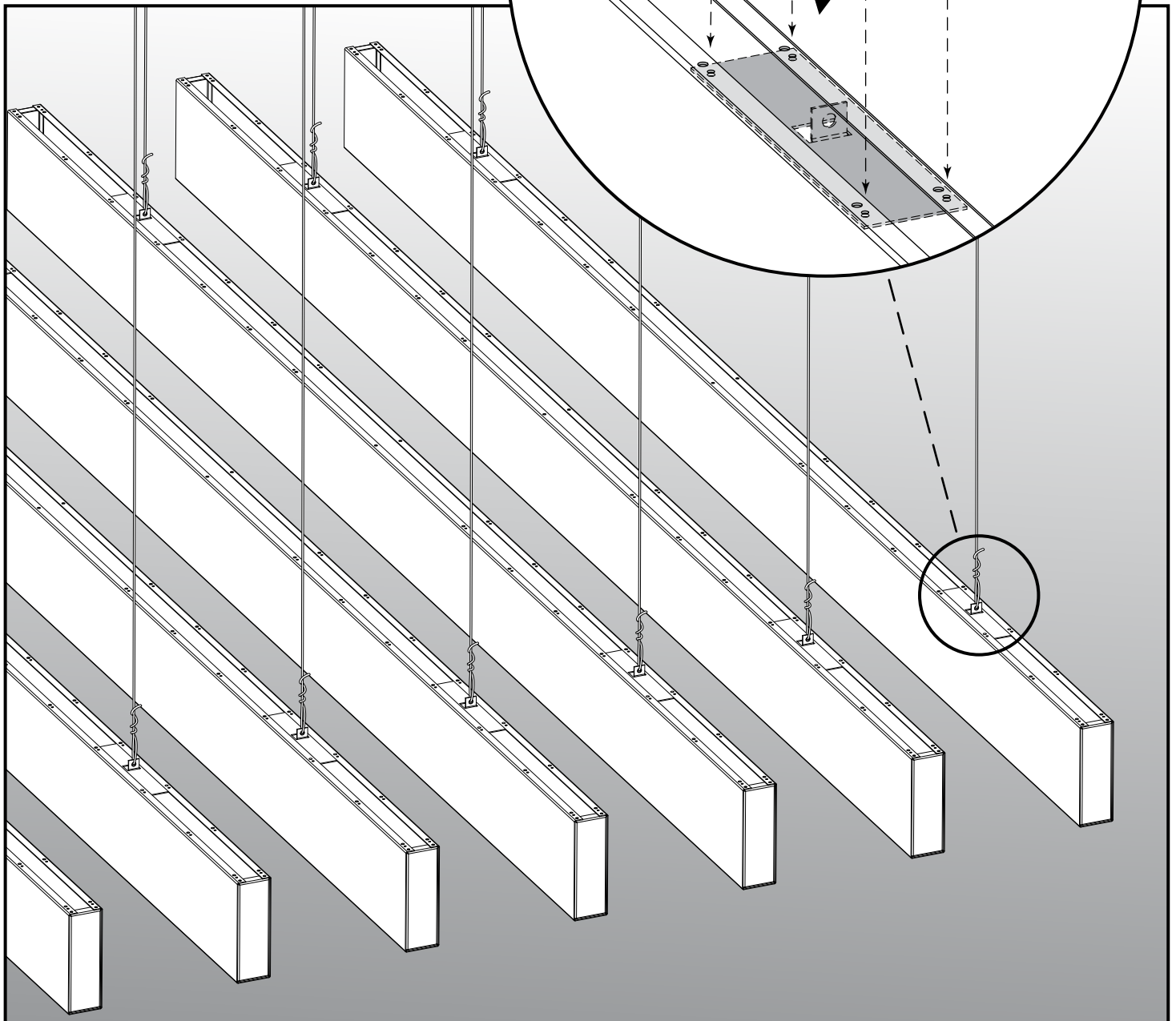
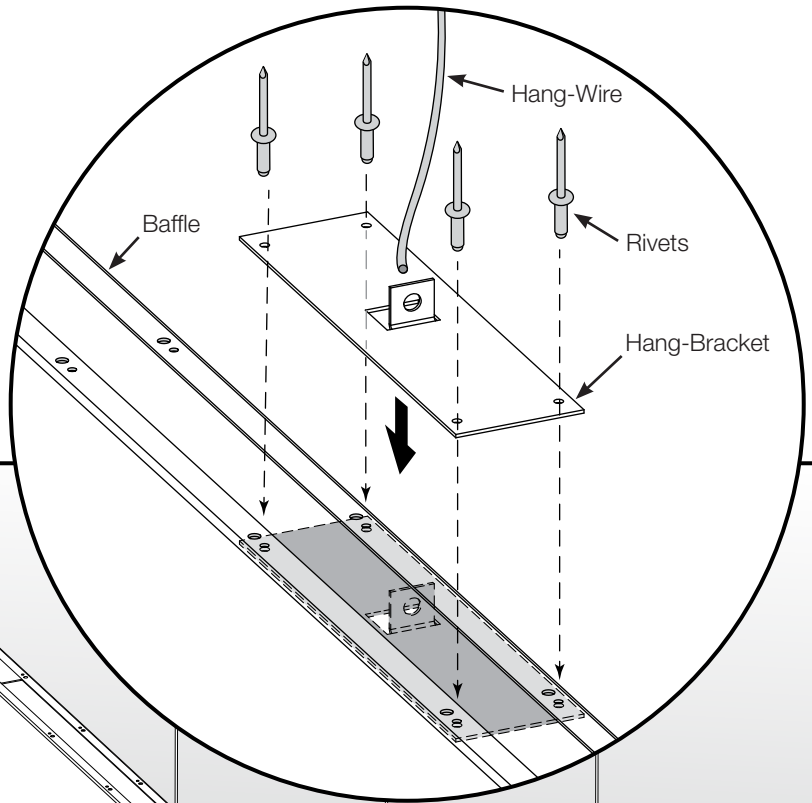


CUSTOM ASSEMBLED CASSETTES MOUNTED ON WALL

Custom Installations

Hanging Individual Baffles

- (A) Secure Hang-Wire to ceiling, following the previous steps in this manual.
- (B) Remove Backslats from Baffles if necessary, following previous steps in this manual.
- (C) Insert Hang-Brackets into position, spaced as needed and apply Rivets to secure in place.
- (D) Thread and secure Hang-Wires on each Hang-Bracket. Level and adjust height for each Baffle as needed.



Maintenance

Adjust & Clean

- A.** Adjust ceiling components to provide a consistent finish and appearance in conformity with established tolerances and requirements.

- B.** Clean exposed surfaces of acoustical metal panel ceilings and walls. Comply with manufacturer's written instructions for cleaning and touch-up of minor finish damage.

- C.** Remove and replace work that cannot be successfully cleaned and repaired to permanently eliminate evidence of damage, including dented and bent units.

Support Contacts

Contact your sales rep for any additional support.

Notices

SAFETY

Safety First! Follow good safety/industrial hygiene practices during installation. Wear appropriate personal protective equipment. Read MSDS and literature before specification and installation. Be cautious with exposed sharp edges when handling ceiling system components.

INSTALLATION

Prior to installation, make sure your project complies with any seismic & non-seismic requirements. Must be installed in compliance with ASTM C636, ASTM E580, utilizing standard industry practices and adopting applicable code requirements. Alternative assemblies and installation methods may be utilized when approved by the authority having jurisdiction. USG Ceiling Plus recommends checking with the authority having jurisdiction prior to designing and installing a suspended ceiling system.

LIMITATION

Some commercially acceptable color variation may occur between lots and between different size products of the same color.

LIABILITY

We shall not be liable for any incidental and consequential damages, directly or indirectly sustained, nor for any loss caused by application of these goods not in accordance with current printed instructions or for other than the intended use. Our liability is expressly limited to replacement of defective goods. Any claim shall be deemed waived unless made in writing to us within thirty (30) days from date it was or reasonably should have been discovered.

