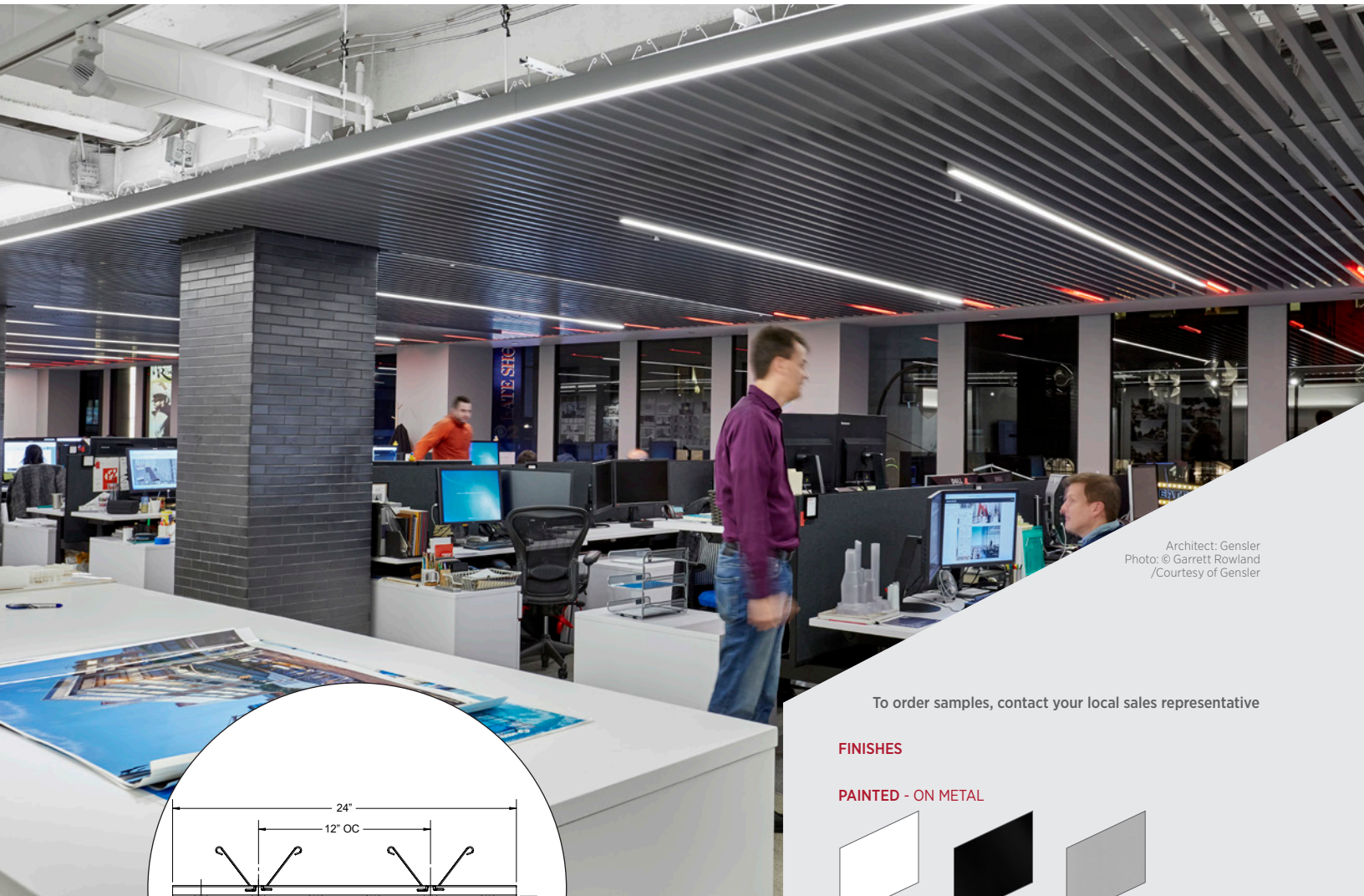
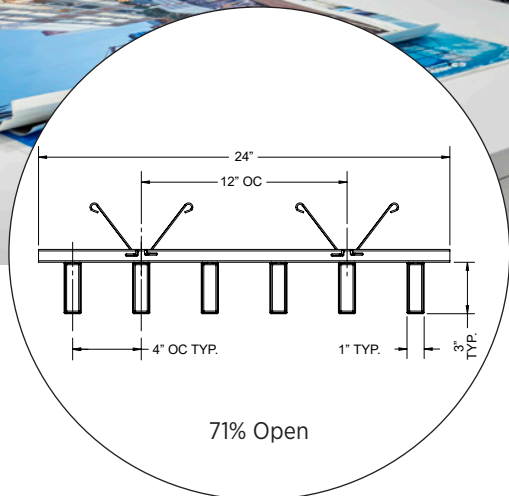


# USG Ceilings Plus® Design Solutions - BARZ®

ULTRA LIGHTWEIGHT LINEAR BAFFLES - B103004



Architect: Gensler  
Photo: © Garrett Rowland  
/Courtesy of Gensler



71% Open

## FEATURES AND BENEFITS

- Fully accessible panelized cassette system with torsion spring grid attachment.
- Pre-engineered system to reduce lead times.
- Acoustical performance utilizing perforations and sound absorbing materials, including Acoustibond™ and Ultrasorb.
- Varied mounting arrangements or field modifications available to respond to installation requirements.
- Class A per ASTM E84, Zero Flame Spread, non-combustible aluminum core Fire Classification.

## APPLICATIONS

- Interior Applications
- Pods, Islands, and Clouds
- Wall to Wall Ceilings
- Sloped Ceilings
- New Construction
- Downward Accessible

To order samples, contact your local sales representative

## FINISHES

### PAINTED - ON METAL



Blanco Mat\*



Matte Black



Silver Satin  
002

### SARANTE® - PVC FREE LAMINATE - ON METAL



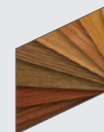
S-22  
Oak Line



S-15  
Blond Pear



S-37  
Dark Jatoba



Full Sarante®  
offering  
available as  
a premium

## ACOUSTICS



Ultrasorb  
(infill or lay-in)

## PERFORATION



CD06310 (SD-7)  
10% Open  
(perforated on  
sides of baffle)

# USG Ceilings Plus® Design Solutions - BARZ®

ULTRA LIGHTWEIGHT LINEAR BAFFLES - B103004

**ORDER SAMPLES/LITERATURE**  
Contact your local sales rep.

**FOR MOST UP-TO-DATE TECHNICAL INFORMATION AND LEED REPORT TOOL**  
Contact your local sales rep.

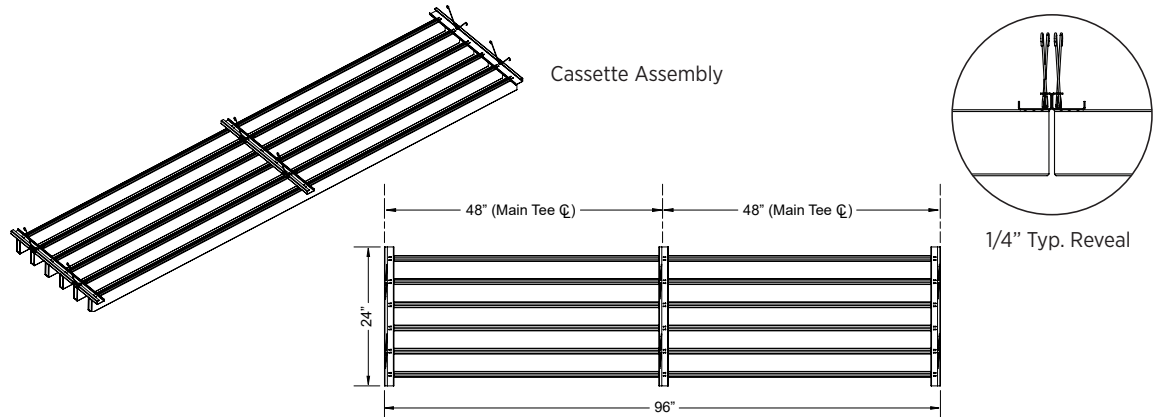
**TECHNICAL SERVICES**  
Contact your local sales rep.

**Declare.** Declare® Labels on select finishes, see usg.ecomedes.com for more details and documentation.

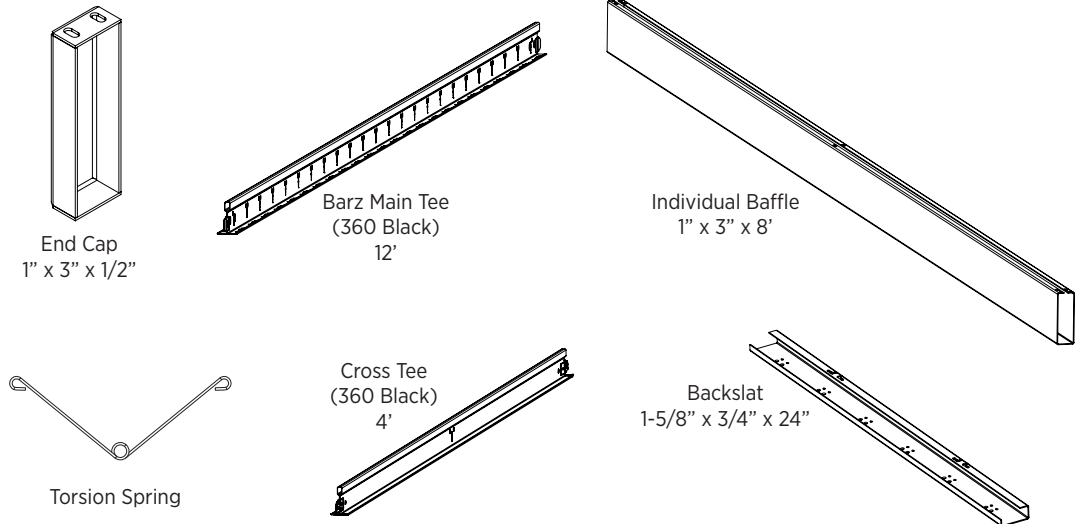
## PERFORMANCE OPTIONS

Application	Grid Options	Finish	Accessibility	Ceiling Open %	Acoustics	Array-NRC <sup>1</sup>	Perforation	Fire Class	Recycled Content	Maintenance	Weight
Interior	Torsion Spring Tee Grid	Painted, Sarante®	Downward	71%	Ultrasorb	0.55 (Ultrasorb infill) / 1.35 (Ultrasorb infill + lay-in)	CD06310 (SD-7) (10% Open)	Class A ASTM E84 CAN/ULC S102	Up to 95%, finish dependent (hardware excluded)	See architectural specification	1.0 lb/sq. ft. (exclusive of suspension system)

## DETAILS



## ACCESSORIES



### Low Emissions (VOC)

Certified low emitting performance for select finishes, meets CDPH 01350 v1.2 - 2017. Certificates of Compliance for Low VOC Emissions are available on usg.com and at usg.ecomedes.com.

## PHYSICAL DATA

### Additional Documents and Resources

Architectural Specification  
Installation Manual: IC5465  
Handling Guide: IC518  
Warranty: SC2102

### Fire Classification

ASTM E84 and CAN/ULC S102 surface-burning characteristics (with Acoustibond backer)  
Class A  
Flame spread: 25 or less  
Smoke developed: 50 or less

### Suspension System

Supporting main tees are classified as Heavy Duty as classified per ASTM C635 when tested in accordance with ASTM E3090 and AC368.

### Seismic Compliance

Suspension System is included in ICC ES ESR 1222 for use in Seismic Design Categories A through F when installed according to ASTM C636 and ASTM E580. Alternate installation methods may be used when designed by a registered engineer and approved by the authority having jurisdiction. Test reports for suspension system performance may be available upon request.

### Integration

Barz® can accommodate a full range of LED lighting fixtures for any design intent. Air diffusers, speakers, sprinklers, and other ceiling attached accessories can also be integrated as well (independently suspended). CAD details are available online at [www.ceilingplus.com](http://www.ceilingplus.com).

### Modifications

Cassette systems are easily modified in the field with our template tools. These tools which provide easy precision cutting are standard supplied parts with each order. See our installation manual for details.

1. Array-NRC is calculated per ASTM C423 for the specific Barz® assembly identified.

### Notice

The information in this document is subject to change without notice. CGC Inc. or USG Corp. assumes no responsibility for any errors that may inadvertently appear in this document.

### IC776/rev. 9-25

© 2025 USG Corporation and/or its affiliates. All rights reserved. Printed in U.S.A.

Manufactured by USG Interiors, LLC  
550 West Adams Street  
Chicago, IL 60661

The trademarks USG, ACOUSTIBOND, BARZ, BLANCO MAT, CEILINGS PLUS, CGC, SARANTE, the USG/CGC logo, the design elements and colors, and related marks are trademarks of USG Corporation or its affiliates.

Safety First! Follow good safety/industrial hygiene practices during installation. Wear appropriate personal protective equipment. Read SDS and literature before specification and installation.

