



BARZ™

> Linear, Suspended Ceiling System - Exterior

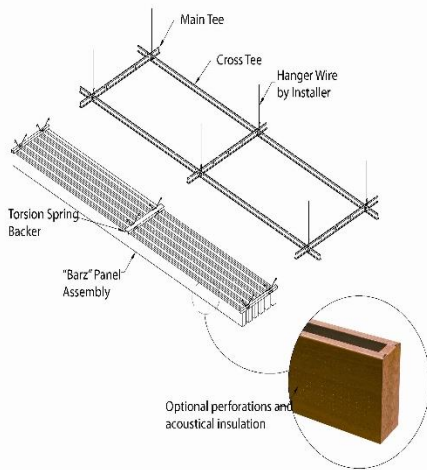
Description: Barz® is a linear ceiling system consisting of precision, factory detailed panels attached to a concealed carrier suspended from the structure above. A variety of perimeter and transition details are available with the Barz® system. The ceiling system allows access to the space above at every panel location. Heavy-Duty torsion spring assemblies clip (along with positive locking clips for exterior load) mounted to the panels allow for complete downward access to the plenum without distortion to the panel.

Finishes: Ceilings Plus® offers a wide variety of finishes applied to metal. Ceilings Plus® will explore unique finish selections by the request of the specifier. Consult factory for possibilities.
Materials available with:

- Aluminum with up to 85% recycled content.
- Paint
 - No VOCs
- Faux Wood Laminates – Sarante®
 - No VOCs
 - No added urea formaldehyde
 - PVC Free

Panel Sizes: Careful consideration should be made in the selection of larger modules. Our manufacturing processes enable us to create large modular panels. However, larger panels are subject to gravity and could have a certain amount of deflection. Natural and artificial lighting must be a part of the design equation. Severe grazing light will magnify even the slightest deviation. We recommend consultation with one of our experts in this area, at our factory, prior to finalizing modular dimensions.

- Width: 1" minimum and up to 12" wide. Consult factory for possibilities
- Lengths: 4' to 10'. Light Weight: 1.5 lbs. per sf (approx.)



Suspension System: Ceilings Plus utilizes anodized extruded aluminum tee profiles to supports the loads required for exterior exposure. Calculations to substantiate the use of our extruded aluminum suspension systems are prepared individually for every exterior project by a licensed structural engineer and can be provided upon request.

Test Reports: Test reports for suspension system and finish performance are available upon request from professionals.

Integration: Barz® can accommodate pendant mount, linear, incandescent and nearly all lighting elements. Air distributors, speakers, sprinklers, and other ceiling attached accessories can also be supported.

Fire Classification: Class I Fire Rated: Barz® product line is Class I, 0-25 Flame Spread as tested in accordance with ASTM E84.

