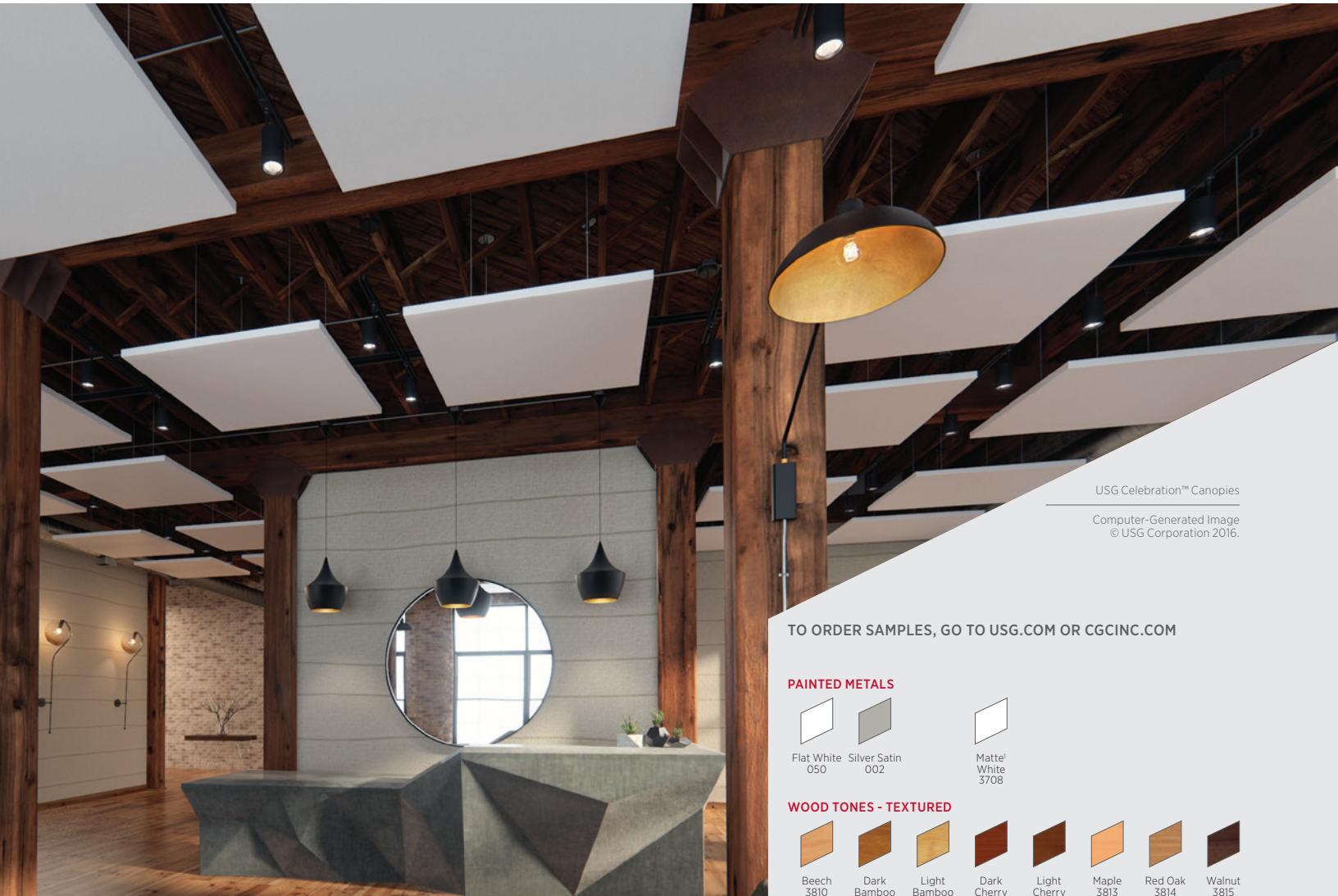


USG CELEBRATION™ CANOPIES



USG Celebration™ Canopies

Computer-Generated Image
© USG Corporation 2016.

TO ORDER SAMPLES, GO TO USG.COM OR CGCINC.COM

PAINTED METALS



Flat White
050



Silver Satin
002



Matte White
3708

WOOD TONES - TEXTURED



Beech
3810



Dark Bamboo
3808



Light Bamboo
3809



Dark Cherry
3811



Light Cherry
3812



Maple
3813



Red Oak
3814



Walnut
3815

ANODIZED METALS



Brushed Aluminum
PIA12



Polished Chrome
PM61



Satin Chrome
PM614

CUSTOM COLORS AVAILABLE



FEATURES AND BENEFITS

- Aluminum panels provide a monolithic appearance.
- Durable and easy to maintain.
- Shipped pre-assembled, ready for easy and fast installation.
- Specially engineered hardware allows for simple suspension.
- Exceptional noise reduction with absorption from both the front and back of the panels.
- High light-reflective finish (LR-0.90) for Matte White, 3708.
- Integral return edge requires no finish trim.
- Concealed suspension components with no visible hardware.
- Innovative connection options allow for grouped and ungrouped designs.
- Unconstrained by a linked suspension system to allow freedom of assembly and alignment.

APPLICATIONS

- Interior Applications
- Pods, Islands, and Clouds
- Sloped Ceilings
- New Construction or Renovation
- Layout is Field Customizable



USG CELEBRATION™ CANOPIES

ORDER SAMPLES/LITERATURE
 USG: usg.com or samplitt@usg.com
 CGC: contact Sales Representative

TECHNICAL SERVICES
 800.USG.4YOU (874-4968)

FOR MOST UP-TO-DATE TECHNICAL INFORMATION AND LEED REPORT TOOL
usgdesignstudio.com
cgcdesignstudio.com



PRODUCT INFORMATION¹

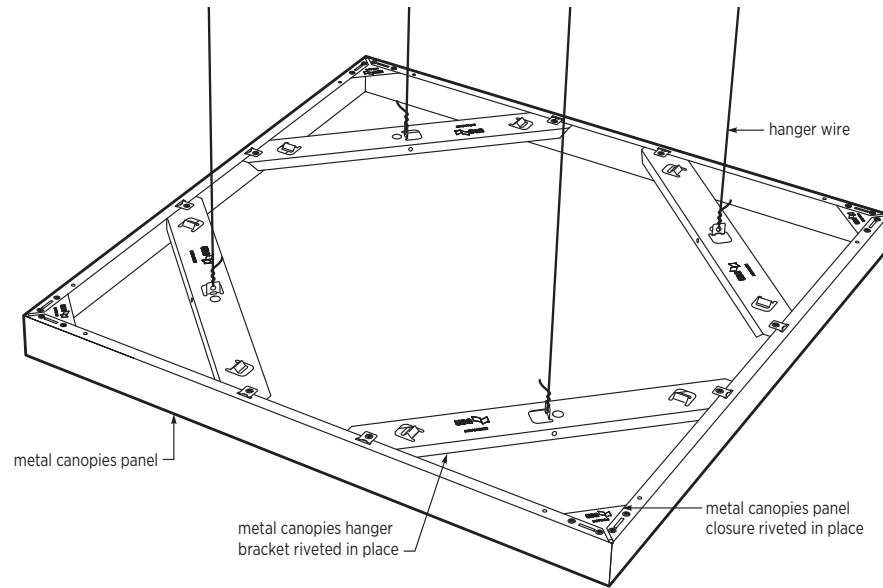
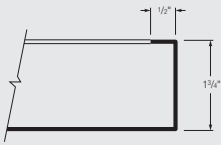
Materials	Edge	Panel Size	Fire Rating	LR	Recycled Content	Acoustical Performance Data	Weight
Aluminum panels; painted and anodized	1.75 in. 90° vertical return leg with 1/2 in. horizontal return flange	24" x 24"; 24" x 48"; 24" x 60"; 24" x 72"; 24" x 96"; 30" x 30"; 30" x 60"; 48" x 48"; 48" x 60" Custom size available	Class A ASTM 84	0.90 for Matte White, 3708 0.80 for Flat White, 050	up to 95%, finish dependent	See <i>USG Celebration™ Canopies Systems Guide</i> (IC633) for acoustical performance data.	0.63 lb./sq. ft.

Finishes

Panels available with perforation. Custom perforation sizes and patterns are available upon inquiry. A special acoustical backing is available for all perforated panels. See *USG Celebration™ Canopies Systems Guide* (IC633) for perforation availability. See *Perforation Selection Guide* (IC425) for custom perforation availability.

PERSPECTIVE

Panel edge section



Note: USG Celebration™ canopies are shipped with the hanger brackets and panel closure brackets assembled and attached.

Low Emissions (VOC)
 CDPH 01350 v1.2-2017 compliance on select finishes, see usg.com for more details and documentation.

High Recycled Content
 USG classifies High Recycled Content as greater than 50%. Total recycled content is based on product composition of postconsumer and preconsumer (postindustrial) recycled content per FTC guidelines.

PHYSICAL DATA

Product literature
 Installation Guide: IC632
 System Guide: IC633
 Data sheet: IC631
 Warranty: SC2102
 Perforations: IC425
 Cleaning Instructions: IC518

Online tools
usgdesignstudio.com or cgcdesignstudio.com

Installation
 Install according to ASTM C636, ASTM E580, CISCA and USG requirements. Alternate installation methods may be used when approved by the authority having jurisdiction. USG recommends checking with the authority having jurisdiction prior to designing and installing a suspended ceiling system.

ASTM E84 and CAN/ULC S102 surface-burning characteristics (with Acoustibond™ backer)
 Class A
 Flame spread: 25 or less
 Smoke developed: 50 or less

Color variations
 Some commercially acceptable color variation may occur between lots and between different size canopies of the same color.

Note
 For Canadian product needs, please contact your local sales representative.

1. Matte White 3708 is not available in 48" x 48" or 48" x 60" panels.

Notice
 The information in this document is subject to change without notice. CGC Inc. or USG Corp. assumes no responsibility for any errors that may inadvertently appear in this document.

IC631/rev. 6-22
 © 2022 USG Corporation and/or its affiliates. All rights reserved. Printed in U.S.A.

Manufactured by
 USG Interiors, LLC
 550 West Adams Street
 Chicago, IL 60661

The trademarks USG, CGC, CELEBRATION, IT'S YOUR WORLD. BUILD IT., the USG/CGC logo, the design elements and colors, and related marks are trademarks of USG Corporation or its affiliates.

Safety First! Follow good safety/industrial hygiene practices during installation. Wear appropriate personal protective equipment. Read SDS and literature before specification and installation.

