

USG CELEBRATION™ CANOPIES



USG Celebration™ Canopies,
Flat White
NKarta
Architect: Pencil Box Architects
Photo: ©Robert Calderwood

TO ORDER SAMPLES, GO TO USG.COM OR CGCINC.COM

PAINTED METALS



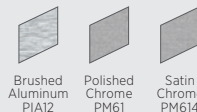
Flat White 050 | Silver Satin 002 | Blanco Mat® 4182

TIMBRE™2



Maple 4010 | VG Fir 4011 | Red Birch 4012 | Golden Glow Oak 4198 | Walnut 4014 | Roasted Chestnut 4197 | Cherry 4013 | Mahogany 4015 | Driftwood 4199

ANODIZED METALS³



Brushed Aluminum PIA12 | Polished Chrome PM61 | Satin Chrome PM614

CUSTOM COLORS AVAILABLE



FEATURES AND BENEFITS

- Aluminum panels provide a monolithic appearance.
- Durable and easy to maintain.
- Shipped pre-assembled, ready for easy and fast installation.
- Specially engineered hardware allows for simple suspension.
- Exceptional noise reduction with absorption from both the front and back of the panels.
- High light-reflective finish (LR-0.93) for Blanco Mat®, 4182.
- Integral return edge requires no finish trim.
- Concealed suspension components with no visible hardware.
- Innovative connection options allow for grouped and ungrouped designs.
- Unconstrained by a linked suspension system to allow freedom of assembly and alignment.

APPLICATIONS

- Interior Applications
- Pods, Islands, and Clouds
- Sloped Ceilings
- New Construction or Renovation
- Layout is Field Customizable



USG CELEBRATION™ CANOPIES

ORDER SAMPLES/LITERATURE
 USG: usg.com or samplitt@usg.com
 CGC: contact Sales Representative

TECHNICAL SERVICES
 800 USG.4YOU (874-4968)

FOR MOST UP-TO-DATE TECHNICAL INFORMATION AND LEED REPORT TOOL
 usgdesignstudio.com
 cgcdesignstudio.com
 usg.ecomedes.com

Declare. Declare® Labels on select finishes, see usg.ecomedes.com for more details and documentation.

PRODUCT INFORMATION¹

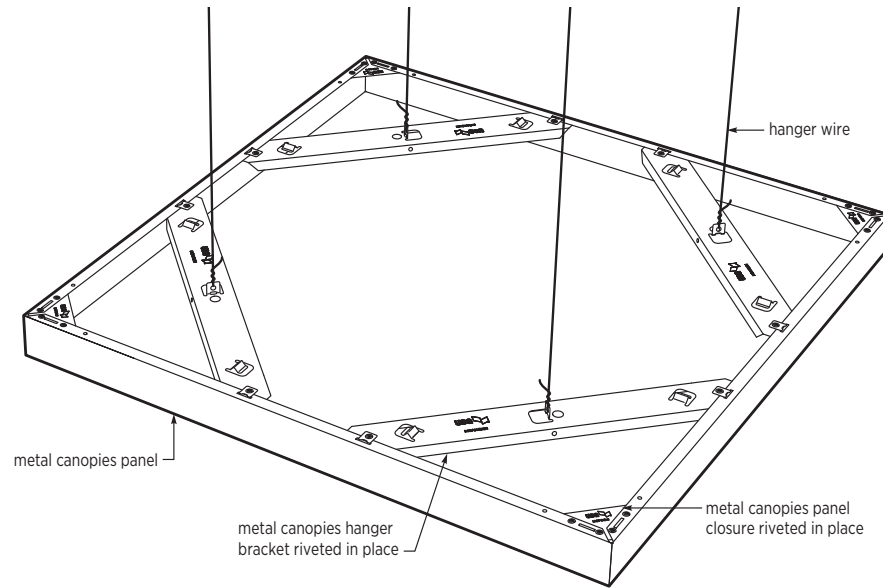
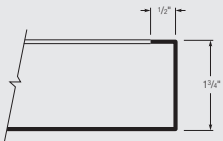
Materials	Edge	Panel Size	Fire Class	LR	Recycled Content	Acoustical Performance Data	Weight
Aluminum panels; painted and anodized	1.75 in. 90° vertical return leg with 1/2 in. horizontal return flange	24" x 24", 24" x 48", 24" x 60", 24" x 72", 24" x 96", 30" x 30", 30" x 60", 48" x 48", 48" x 60" Custom size available	Class A ASTM E84 CAN/ULC S102	0.93 for Blanco Mat®, 4182 0.80 for Flat White, 050	up to 95%, finish dependent	See <i>USG Celebration™ Canopies Systems Guide</i> (IC633) for acoustical performance data.	0.63 lb./sq. ft.

Panels available with perforation. Custom perforation sizes and patterns are available upon inquiry. A special acoustical backing is available for all perforated panels. See *USG Celebration™ Canopies Systems Guide* (IC633) for perforation availability. See *Perforation Selection Guide* (IC425) for custom perforation availability.

ACOUSTICAL PERFORMANCE DATA

PERSPECTIVE

Panel edge section



Note: USG Celebration™ canopies are shipped with the hanger brackets and panel closure brackets assembled and attached.

Low Emissions (VOC)
 Certified low emitting performance for select finishes, meets CDPH 01350 v1.2 - 2017. Certificates of Compliance for Low VOC Emissions are available on usg.com and at usg.ecomedes.com.

High Recycled Content
 USG classifies High Recycled Content as greater than 50%. Total recycled content is based on product composition of pre-consumer (post-industrial) and post-consumer recycled content per FTC guidelines.

PHYSICAL DATA

Additional Documents and Resources

Installation Guide: IC632
 System Guide: IC633
 Warranty: SC2102
 Perforations: IC425
 Handling Guide: IC518

Online Tools

usgdesignstudio.com, cgcdesignstudio.com
 or usg.ecomedes.com

Fire Classification

ASTM E84 and CAN/ULC S102 surface-burning characteristics (with Acoustibond™ backer)
 Class A
 Flame spread: 25 or less
 Smoke developed: 50 or less

Installation

Install according to ASTM C636, ASTM E580, CISCA and USG requirements. Alternate installation methods may be used when approved by the authority having jurisdiction. USG recommends checking with the authority having jurisdiction prior to designing and installing a suspended ceiling system.

Color Variations

Some commercially acceptable color variation may occur between lots and between different size canopies of the same color.

Note

- Celebration™ Canopies available in Blanco Mat® 4182 up to 2' wide and up to 6' long.
- Celebration™ Canopies available in Timbre™ up to 2' wide and up to 6' long panels only.
- Celebration™ Canopies available in Anodized up to 2' wide and up to 6' long panels only.

Notice

The information in this document is subject to change without notice. CGC Inc. or USG Corp. assumes no responsibility for any errors that may inadvertently appear in this document.

IC631/rev. 12-25
 © 2025 USG Corporation and/or its affiliates. All rights reserved. Printed in U.S.A.

Manufactured by USG Interiors, LLC
 550 West Adams Street
 Chicago, IL 60661

The trademarks USG, CGC, BLANCO MAT, CELEBRATION, IT'S YOUR WORLD. BUILD IT., the USG/CGC logo, the design elements and colors, and related marks are trademarks of USG Corporation or its affiliates.

Safety First! Follow good safety/industrial hygiene practices during installation. Wear appropriate personal protective equipment. Read SDS and literature before specification and installation.

