

View List

Sheet Number	Sheet Name	View Name
CS 1	CELEBRATION™ SNAP-IN DETAIL	SECTION THROUGH MAIN TEE
CS 2	CELEBRATION™ SNAP-IN DETAIL	SECTION THROUGH CROSS TEE
CS 3	CELEBRATION™ SNAP-IN DETAIL	SECTION @ STABILIZING CROSS TEE
CS 4	CELEBRATION™ SNAP-IN DETAIL	SECTION THROUGH SPRINKLER
CS 5	CELEBRATION™ SNAP-IN DETAIL	SECTION THROUGH CAN LIGHT
CS 6	CELEBRATION™ SNAP-IN DETAIL	PERIMETER WALL CEILING DETAIL-MAIN TEE
CS 7	CELEBRATION™ SNAP-IN DETAIL	PERIMETER WALL CEILING DETAIL-CROSS TEE
CS 8	CELEBRATION™ SNAP-IN DETAIL	PERIMETER WALL CEILING DETAIL-CHANNEL MOLDING
CS 9	CELEBRATION™ SNAP-IN DETAIL	PERIMETER WALL CEILING DETAIL-MOLDING-MS125
CS 10	CELEBRATION™ SNAP-IN DETAIL	PERIMETER WALL CEILING DETAIL-MOLDING-MS174
CS 11	CELEBRATION™ SNAP-IN DETAIL	SECTION AT COMPASSO TRIM-PERIMETER TEE
CS 12	CELEBRATION™ SNAP-IN DETAIL	SECTION AT COMPASSO TRIM-CUT PANEL
CS 13	CELEBRATION™ SNAP-IN DETAIL	SECTION AT ISLAND PERIMETER
CS 14	CELEBRATION™ SNAP-IN DETAIL	SECTION THROUGH EXPANSION JOINT
CS 15	CELEBRATION™ SNAP-IN DETAIL	PENETRATION DETAIL



USG Corporation
550 West Adams Street
Chicago, IL 60661
T. 800-USG4YOU

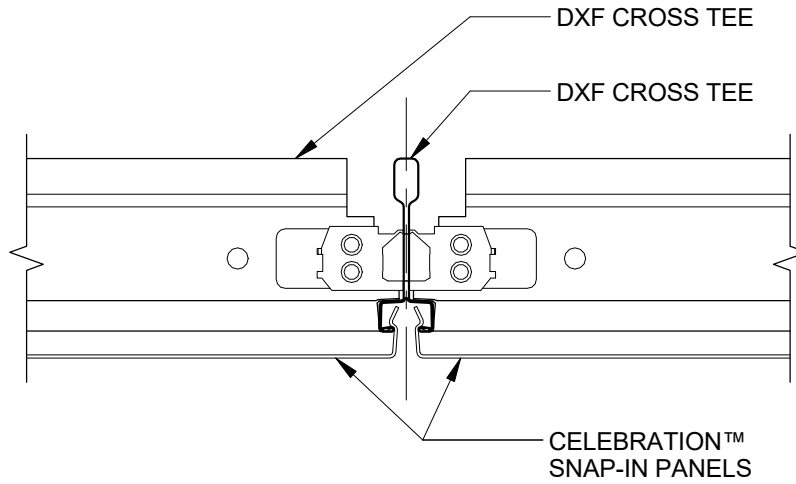
CELEBRATION™
SNAP-IN DETAIL
LIST

ISSUE RECORD: _____

DATE:
3/7/2019 2:02:26 PM

SHEET INFORMATION:

CS 0



CELEBRATION™ SNAP-IN W / DXF GRID
SECTION THROUGH MAIN TEE

①
6" = 1'-0"



USG Corporation
550 West Adams Street
Chicago, IL 60661
T. 800-USG4YOU

CELEBRATION™
SNAP-IN DETAIL

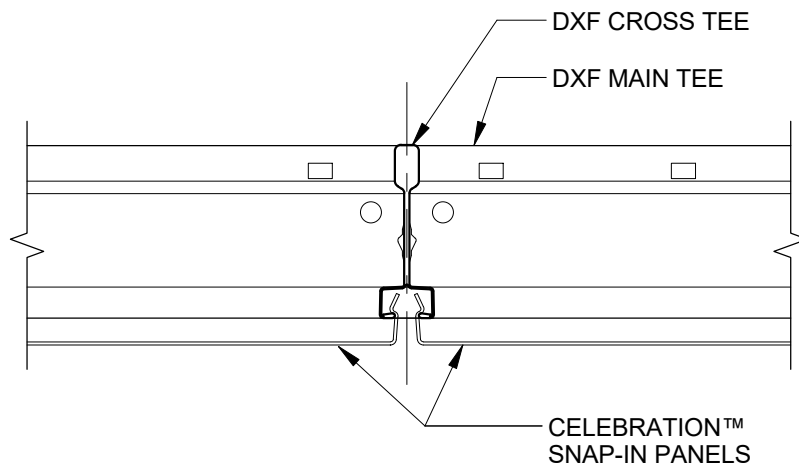
ISSUE RECORD:

DATE:

3/7/2019 2:02:26 PM

SHEET INFORMATION:

CS 1



1 CELEBRATION™ SNAP-IN W / DXF GRID
SECTION THROUGH CROSS TEE
6" = 1'-0"



USG Corporation
550 West Adams Street
Chicago, IL 60661
T. 800-USG4YOU

CELEBRATION™ SNAP-IN DETAIL

ISSUE RECORD:

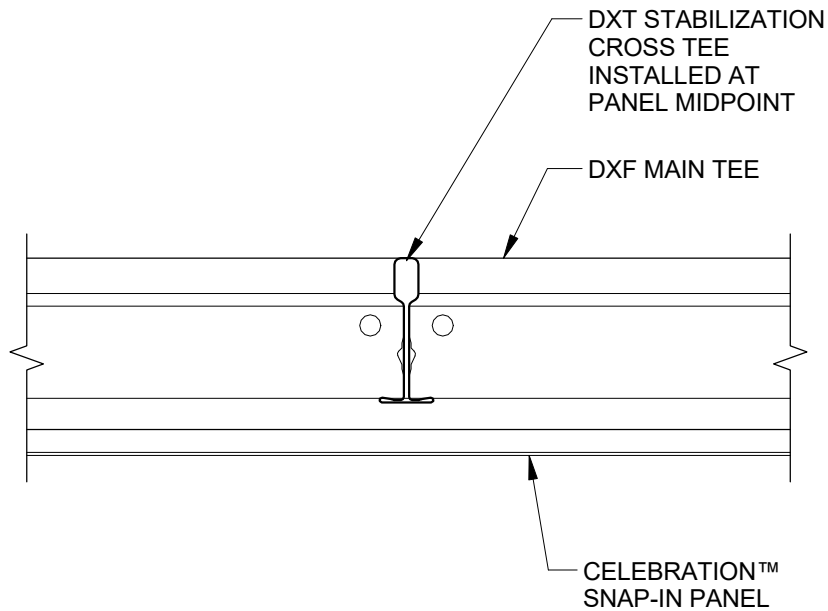
DATE:

3/7/2019 2:02:27 PM

SHEET INFORMATION:

CS 2

DISCLAIMER: THE USG PRODUCT INFORMATION CONTAINED HEREIN ARE INTENDED FOR USE AS PRODUCT REFERENCE MATERIAL BY ARCHITECTS, ENGINEERS, AND OTHER DESIGN PROFESSIONALS, CONTRACTORS, BUILDING CODE OFFICIALS, OR OTHER COMPETENT CONSTRUCTION INDUSTRY TRADE PROFESSIONALS HAVING AN INTEREST IN THE SELECTION, SPECIFICATION, AND USE OF PRODUCTS MANUFACTURED BY THE SUBSIDIARIES OF USG CORPORATION. THE DRAWINGS ARE INTENDED SOLELY AS TECHNICAL SUPPORT INCIDENT TO THE SALE AND USE OF USG PRODUCTS AND NOT INTENDED TO BE A SUBSTITUTE FOR THE DESIGN REVIEW AND APPROVAL OF THE LICENSED DESIGN PROFESSIONALS FOR THE PROJECT. THESE MATERIALS MAY BE PRINTED AND/OR TRANSFERRED ELECTRONICALLY SOLELY AS NEEDED BY THE USER, BECAUSE CAD ELECTRONIC FILES AND BIM (BUILDING INFORMATION MODELING) FILES CAN BE MODIFIED BY OTHER PARTIES, WITHOUT NOTICE OR INDICATION OF SUCH MODIFICATIONS, MODIFICATION OF USG PRODUCT CAD DRAWINGS IS THE SOLE RESPONSIBILITY OF THE DESIGN PROFESSIONAL.



CELEBRATION™ SNAP-IN W / DXF GRID
 SECTION @ STABILIZING CROSS TEE
 1 6" = 1'-0"



USG Corporation
 550 West Adams Street
 Chicago, IL 60661
 T. 800-USG4YOU

CELEBRATION™ SNAP-IN DETAIL

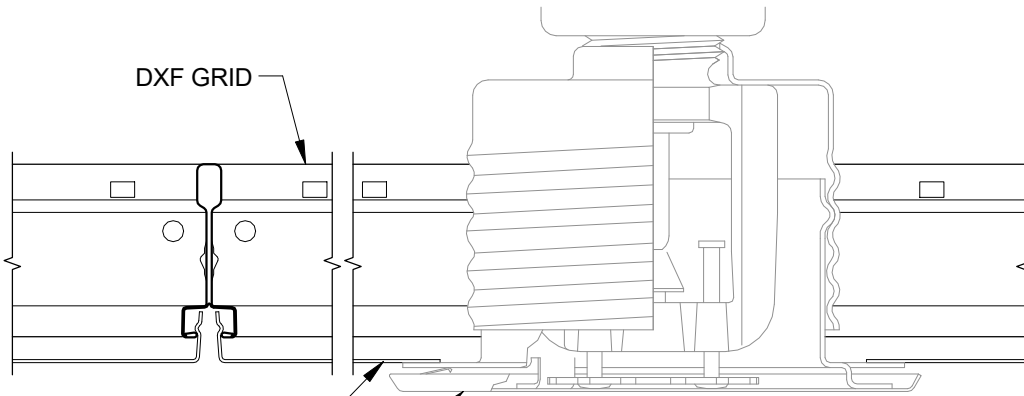
ISSUE RECORD: _____

 DATE:
 3/7/2019 2:02:27 PM

SHEET INFORMATION:

CS 3

DISCLAIMER: THE USG PRODUCT INFORMATION CONTAINED HEREIN ARE INTENDED FOR USE AS PRODUCT REFERENCE MATERIAL BY ARCHITECTS, ENGINEERS, AND OTHER DESIGN PROFESSIONALS, CONTRACTORS, BUILDING CODE OFFICIALS, OR OTHER COMPETENT CONSTRUCTION INDUSTRY TRADE PROFESSIONALS HAVING AN INTEREST IN THE SELECTION, SPECIFICATION, AND USE OF PRODUCTS MANUFACTURED BY THE SUBSIDIARIES OF USG CORPORATION. THE DRAWINGS ARE INTENDED SOLELY AS TECHNICAL SUPPORT INCIDENT TO THE SALE AND USE OF USG PRODUCTS AND NOT INTENDED TO BE A SUBSTITUTE FOR THE DESIGN REVIEW AND APPROVAL OF THE LICENSED DESIGN PROFESSIONALS FOR THE PROJECT. THESE MATERIALS MAY BE PRINTED AND/OR TRANSFERRED ELECTRONICALLY SOLELY AS NEEDED BY THE USER, BECAUSE CAD ELECTRONIC FILES AND BIM (BUILDING INFORMATION MODELING) FILES CAN BE MODIFIED BY OTHER PARTIES, WITHOUT NOTICE OR INDICATION OF SUCH MODIFICATIONS. MODIFICATION OF USG PRODUCT CAD DRAWINGS IS THE SOLE RESPONSIBILITY OF THE DESIGN PROFESSIONAL.



CELEBRATION™ SNAP-IN PANEL.
FIELD CUT AS REQUIRED

SPRINKLER COVER OR
ESCUTCHEON BY OTHERS

CELEBRATION™ SNAP-IN W / DXF GRID
SECTION THROUGH SPRINKLER
① 6" = 1'-0"



USG Corporation
550 West Adams Street
Chicago, IL 60661
T. 800-USG4YOU

CELEBRATION™ SNAP-IN DETAIL

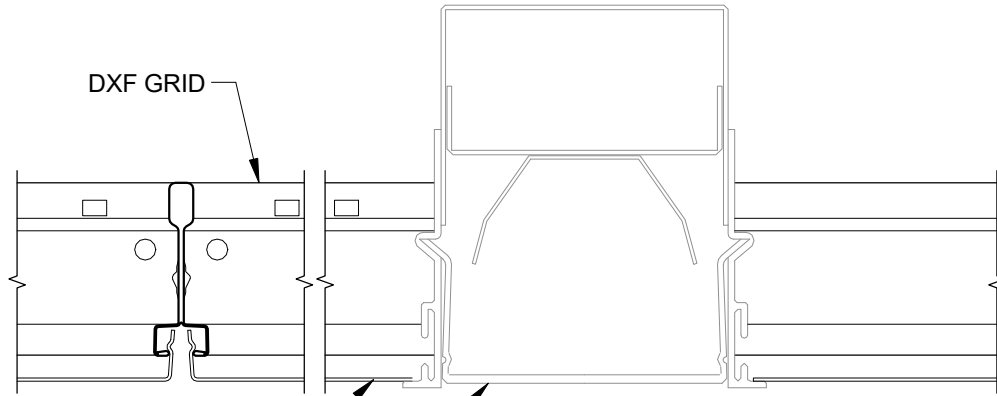
ISSUE RECORD:

DATE:
3/7/2019 2:02:27 PM

SHEET INFORMATION:

CS 4

DISCLAIMER: THE USG PRODUCT INFORMATION CONTAINED HEREIN ARE INTENDED FOR USE AS PRODUCT REFERENCE MATERIAL BY ARCHITECTS, ENGINEERS, AND OTHER DESIGN PROFESSIONALS, CONTRACTORS, BUILDING CODE OFFICIALS, OR OTHER COMPETENT CONSTRUCTION INDUSTRY TRADE PROFESSIONALS HAVING AN INTEREST IN THE SELECTION, SPECIFICATION, AND USE OF PRODUCTS MANUFACTURED BY THE SUBSIDIARIES OF USG CORPORATION. THE DRAWINGS ARE INTENDED SOLELY AS TECHNICAL SUPPORT INCIDENT TO THE SALE AND USE OF USG PRODUCTS AND NOT INTENDED TO BE A SUBSTITUTE FOR THE DESIGN REVIEW AND APPROVAL OF THE LICENSED DESIGN PROFESSIONALS FOR THE PROJECT. THESE MATERIALS MAY BE PRINTED AND/OR TRANSFERRED ELECTRONICALLY SOLELY AS NEEDED BY THE USER, BECAUSE CAD ELECTRONIC FILES AND BIM (BUILDING INFORMATION MODELING) FILES CAN BE MODIFIED BY OTHER PARTIES, WITHOUT NOTICE OR INDICATION OF SUCH MODIFICATIONS, MODIFICATION OF USG PRODUCT CAD DRAWINGS IS THE SOLE RESPONSIBILITY OF THE DESIGN PROFESSIONAL.



DXF GRID

CELEBRATION™ SNAP-IN PANEL.
FIELD CUT AS REQUIRED

LIGHT FIXTURE AND TRIM
BY OTHERS

CELEBRATION™ SNAP-IN W / DXF GRID
SECTION THROUGH CAN LIGHT

1
6" = 1'-0"



USG Corporation
550 West Adams Street
Chicago, IL 60661
T. 800-USG4YOU

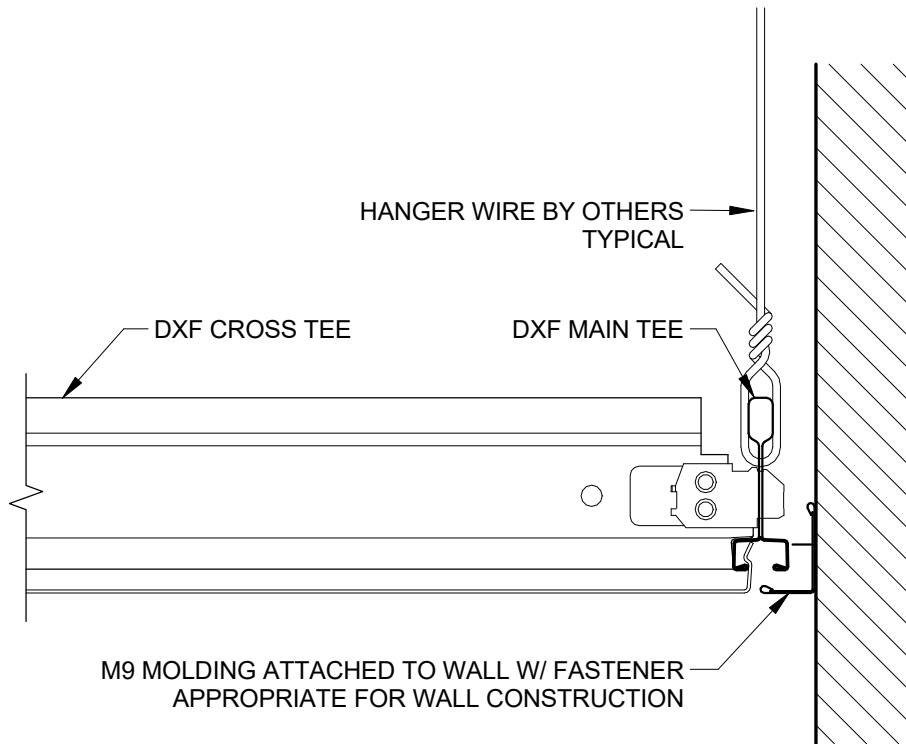
CELEBRATION™
SNAP-IN DETAIL

ISSUE RECORD:

DATE:
3/7/2019 2:02:27 PM

SHEET INFORMATION:

CS 5



CELEBRATION™ SNAP-IN: ON-MODULE PANEL AT MAIN TEE - M9 MOLDING
 PERIMETER WALL CEILING DETAIL-MAIN TEE

1

6" = 1'-0"



USG Corporation
 550 West Adams Street
 Chicago, IL 60661
 T. 800-USG4YOU

CELEBRATION™
 SNAP-IN DETAIL

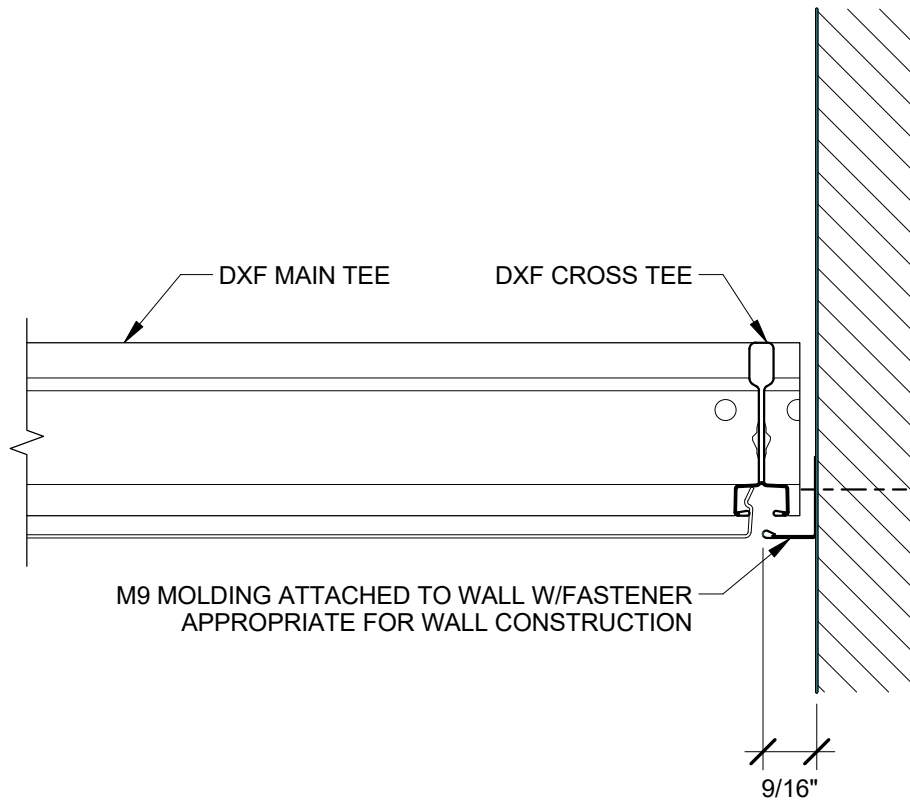
ISSUE RECORD:

DATE:

3/7/2019 2:02:28 PM

SHEET INFORMATION:

CS 6



CELEBRATION™ SNAP-IN: ON-MODULE PANEL @ CROSS TEE - M9 MOLDING
 PERIMETER WALL CEILING DETAIL-CROSS TEE

① 6" = 1'-0"



USG Corporation
 550 West Adams Street
 Chicago, IL 60661
 T. 800-USG4YOU

CELEBRATION™
 SNAP-IN DETAIL

ISSUE RECORD:

 DATE:
 3/7/2019 2:02:28 PM

SHEET INFORMATION:

CS 7

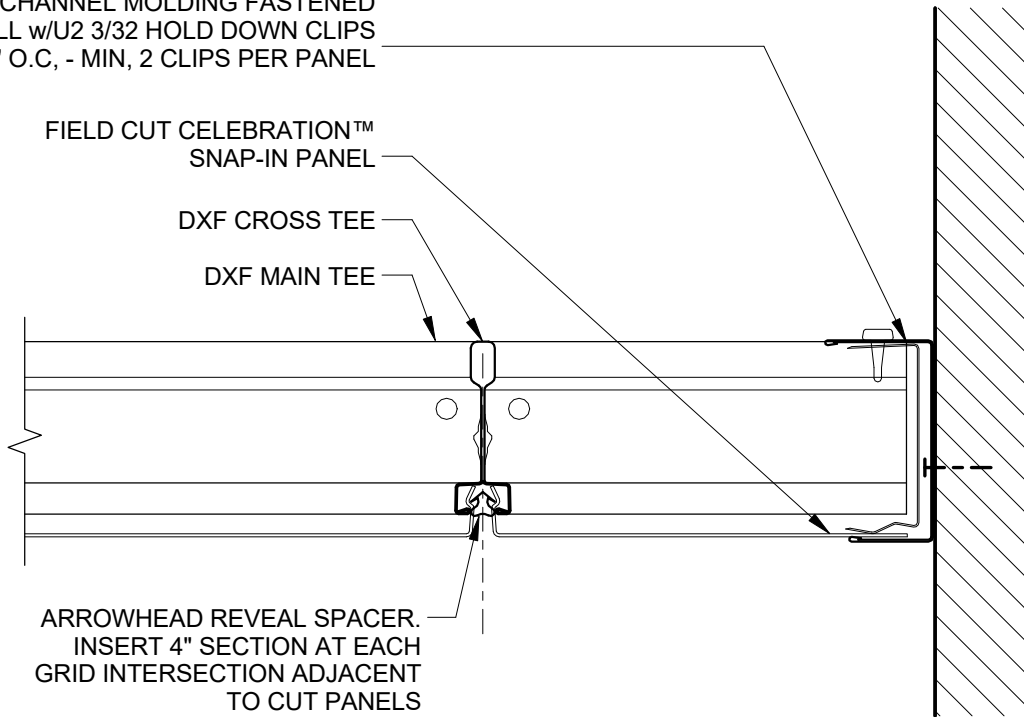
DISCLAIMER: THE USG PRODUCT INFORMATION CONTAINED HEREIN ARE INTENDED FOR USE AS PRODUCT REFERENCE MATERIAL BY ARCHITECTS, ENGINEERS, AND OTHER DESIGN PROFESSIONALS, CONTRACTORS, BUILDING CODE OFFICIALS, OR OTHER COMPETENT CONSTRUCTION INDUSTRY TRADE PROFESSIONALS HAVING AN INTEREST IN THE SELECTION, SPECIFICATION, AND USE OF PRODUCTS MANUFACTURED BY THE SUBSIDIARIES OF USG CORPORATION. THE DRAWINGS ARE INTENDED SOLELY AS TECHNICAL SUPPORT INCIDENT TO THE SALE AND USE OF USG PRODUCTS AND NOT INTENDED TO BE A SUBSTITUTE FOR THE DESIGN REVIEW AND APPROVAL OF THE LICENSED DESIGN PROFESSIONALS FOR THE PROJECT. THESE MATERIALS MAY BE PRINTED AND/OR TRANSFERRED ELECTRONICALLY SOLELY AS NEEDED BY THE USER, BECAUSE CAD ELECTRONIC FILES AND BIM (BUILDING INFORMATION MODELING) FILES CAN BE MODIFIED BY OTHER PARTIES, WITHOUT NOTICE OR INDICATION OF SUCH MODIFICATIONS. MODIFICATION OF USG PRODUCT CAD DRAWINGS IS THE SOLE RESPONSIBILITY OF THE DESIGN PROFESSIONAL.

U2 3-32 CHANNEL MOLDING FASTENED TO WALL w/U2 3/32 HOLD DOWN CLIPS @ 24" O.C. - MIN, 2 CLIPS PER PANEL

FIELD CUT CELEBRATION™ SNAP-IN PANEL

DXF CROSS TEE

DXF MAIN TEE



CELEBRATION™ SNAP-IN: CUT PANEL WITH CHANNEL MOLDING PERIMETER WALL CEILING DETAIL-CHANNEL MOLDING

1 6" = 1'-0"



USG Corporation
550 West Adams Street
Chicago, IL 60661
T. 800-USG4YOU

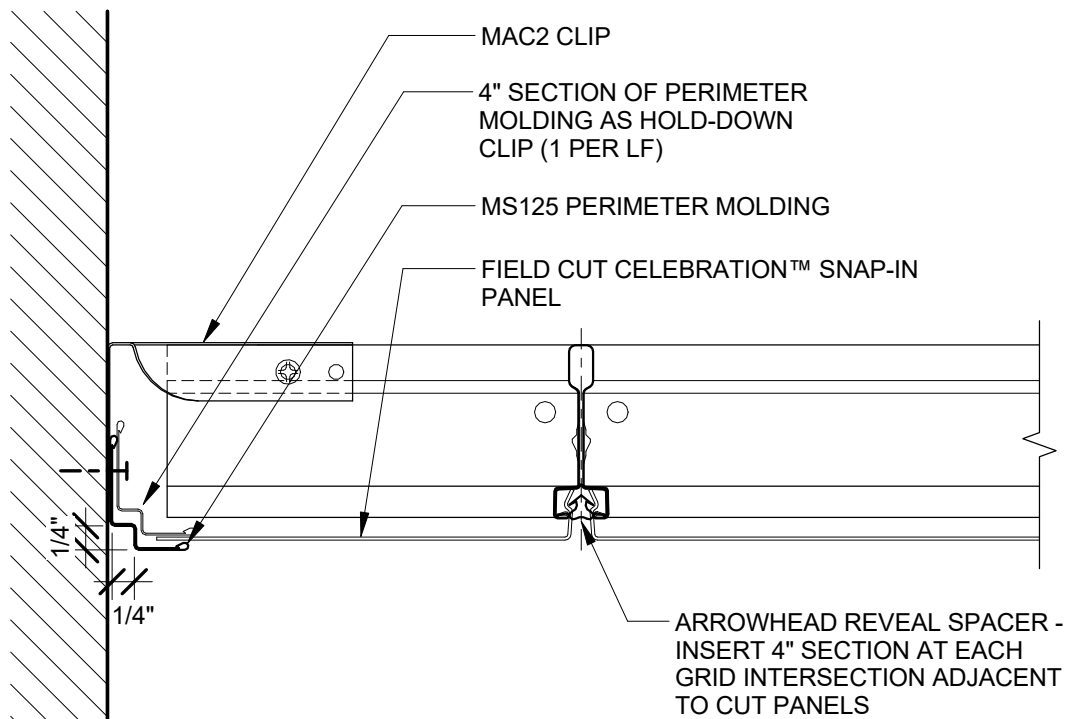
CELEBRATION™
SNAP-IN DETAIL

ISSUE RECORD:

DATE:
3/7/2019 2:02:29 PM

SHEET INFORMATION:

CS 8



1 CELEBRATION™ SNAP-IN: CUT PANEL @ SHADOWLINE MOLDING MS125
 PERIMETER WALL CEILING DETAIL-MOLDING-MS125
 6" = 1'-0"



USG Corporation
 550 West Adams Street
 Chicago, IL 60661
 T. 800-USG4YOU

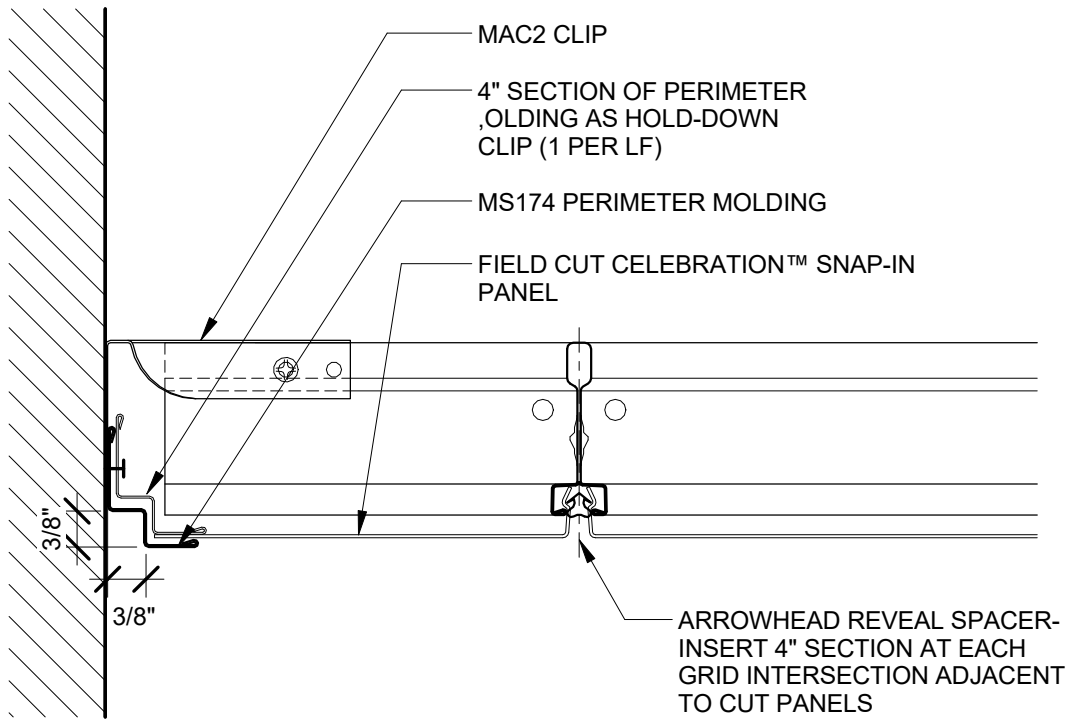
CELEBRATION™ SNAP-IN DETAIL

ISSUE RECORD: _____

 DATE:
 3/7/2019 2:02:29 PM

SHEET INFORMATION:

CS 9



CELEBRATION™ SNAP-IN: CUT PANEL @ SHADOWLINE MOLDING MS174
 PERIMETER WALL CEILING DETAIL-MOLDING-MS174

①
 6" = 1'-0"



USG Corporation
 550 West Adams Street
 Chicago, IL 60661
 T. 800-USG4YOU

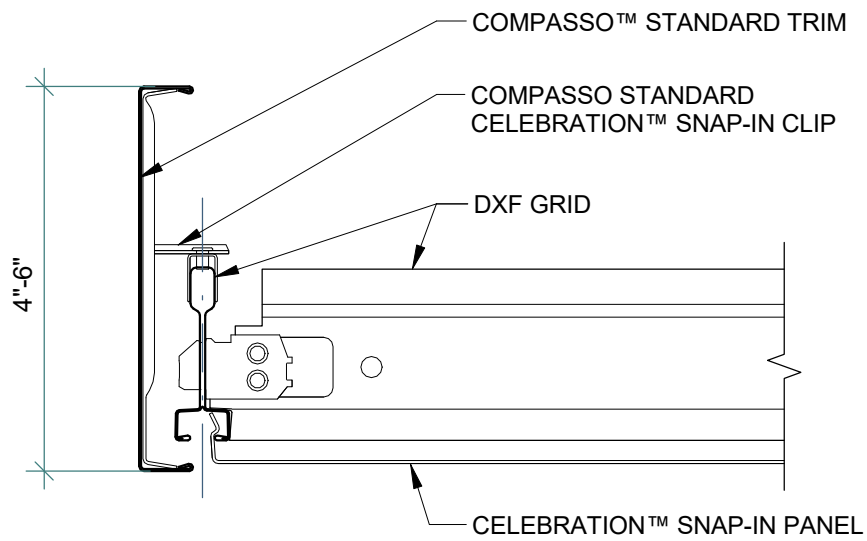
CELEBRATION™
 SNAP-IN DETAIL

ISSUE RECORD:

 DATE:
 3/7/2019 2:02:29 PM

SHEET INFORMATION:
 CS 10

DISCLAIMER: THE USG PRODUCT INFORMATION CONTAINED HEREIN ARE INTENDED FOR USE AS PRODUCT REFERENCE MATERIAL BY ARCHITECTS, ENGINEERS, AND OTHER DESIGN PROFESSIONALS, CONTRACTORS, BUILDING CODE OFFICIALS, OR OTHER COMPETENT CONSTRUCTION INDUSTRY TRADE PROFESSIONALS HAVING AN INTEREST IN THE SELECTION, SPECIFICATION, AND USE OF PRODUCTS MANUFACTURED BY THE SUBSIDIARIES OF USG CORPORATION. THE DRAWINGS ARE INTENDED SOLELY AS TECHNICAL SUPPORT INCIDENT TO THE SALE AND USE OF USG PRODUCTS AND NOT INTENDED TO BE A SUBSTITUTE FOR THE DESIGN REVIEW AND APPROVAL OF THE LICENSED DESIGN PROFESSIONALS FOR THE PROJECT. THESE MATERIALS MAY BE PRINTED AND/OR TRANSFERRED ELECTRONICALLY SOLELY AS NEEDED BY THE USER, BECAUSE CAD ELECTRONIC FILES AND BIM (BUILDING INFORMATION MODELING) FILES CAN BE MODIFIED BY OTHER PARTIES, WITHOUT NOTICE OR INDICATION OF SUCH MODIFICATIONS, MODIFICATION OF USG PRODUCT CAD DRAWINGS IS THE SOLE RESPONSIBILITY OF THE DESIGN PROFESSIONAL.



CELEBRATION SNAP-IN: ON MODULE PANEL w/ PERIMETER TEE
SECTION AT COMPASSO TRIM-PERIMETER TEE

①
6" = 1'-0"



USG Corporation
550 West Adams Street
Chicago, IL 60661
T. 800-USG4YOU

CELEBRATION™ SNAP-IN DETAIL

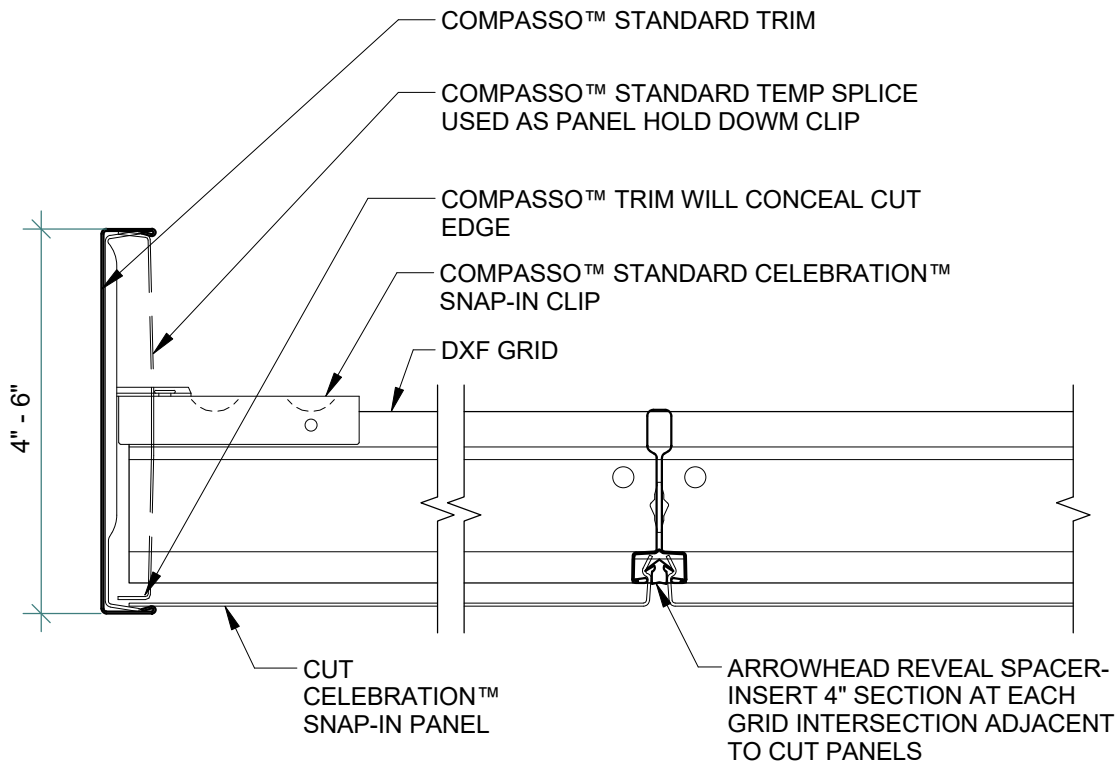
ISSUE RECORD:

DATE:

3/7/2019 2:02:30 PM

SHEET INFORMATION:

CS 11



CELEBRATION™ SNAP-IN: CUT PANEL
 SECTION AT COMPASSO TRIM-CUT PANEL
 1
 6" = 1'-0"



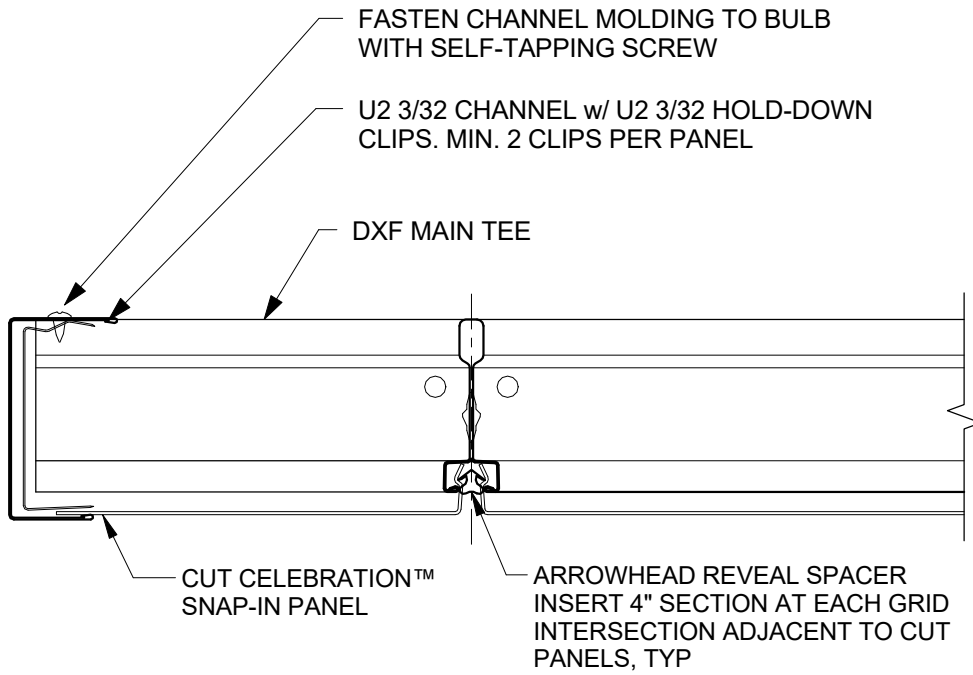
USG Corporation
 550 West Adams Street
 Chicago, IL 60661
 T. 800-USG4YOU

CELEBRATION™ SNAP-IN DETAIL

ISSUE RECORD:

 DATE:
 3/7/2019 2:02:30 PM

SHEET INFORMATION:
 CS 12



CELEBRATION™ SNAP-IN WITH EXPOSED CHANNEL MOLDING
SECTION AT ISLAND PERIMETER

1
6" = 1'-0"



USG Corporation
550 West Adams Street
Chicago, IL 60661
T. 800-USG4YOU

CELEBRATION™
SNAP-IN DETAIL

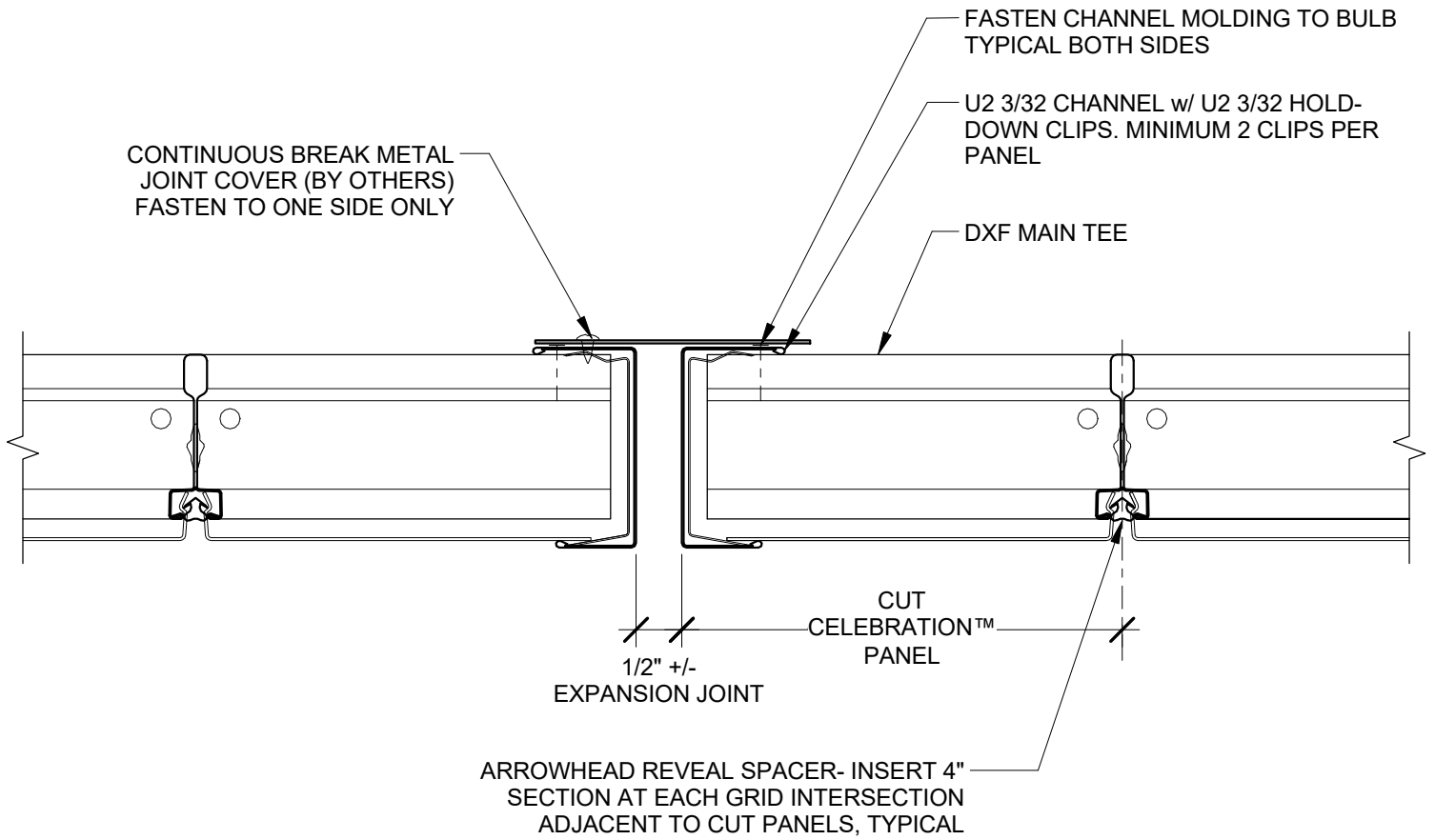
ISSUE RECORD:

DATE:

3/7/2019 2:02:30 PM

SHEET INFORMATION:

CS 13



CELEBRATION™ SNAP-IN
 SECTION THROUGH EXPANSION JOINT
 6" = 1'-0"

1



USG Corporation
 550 West Adams Street
 Chicago, IL 60661
 T. 800-USG4YOU

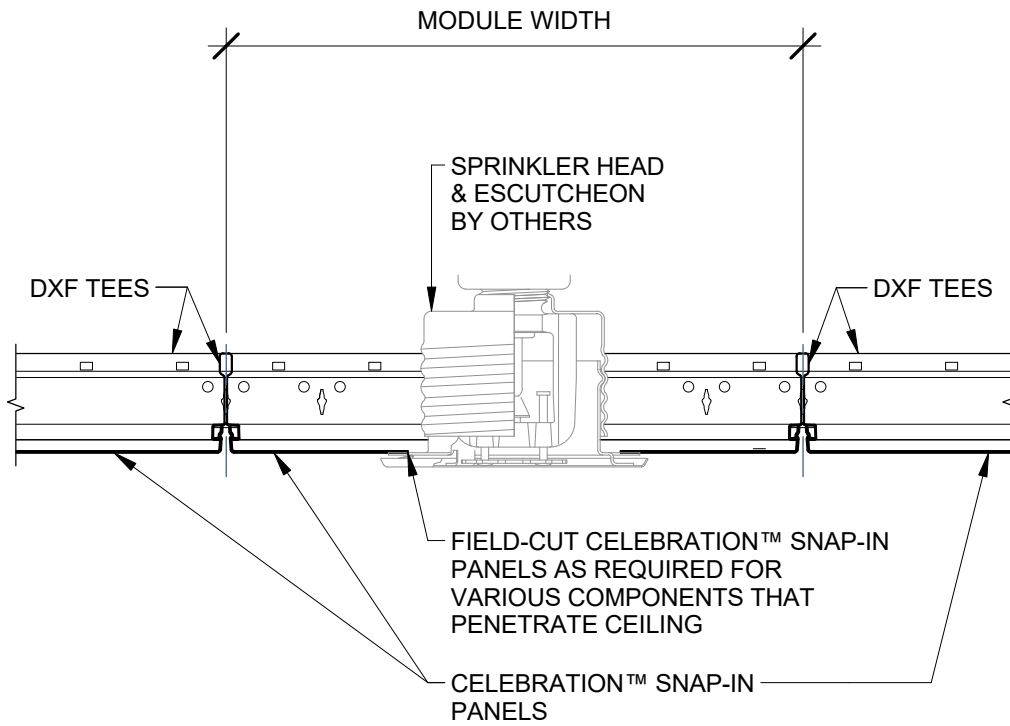
CELEBRATION™ SNAP-IN DETAIL

ISSUE RECORD:

 DATE:
 3/7/2019 2:02:31 PM

SHEET INFORMATION:
 CS 14

DISCLAIMER: THE USG PRODUCT INFORMATION CONTAINED HEREIN ARE INTENDED FOR USE AS PRODUCT REFERENCE MATERIAL BY ARCHITECTS, ENGINEERS, AND OTHER DESIGN PROFESSIONALS, CONTRACTORS, BUILDING CODE OFFICIALS, OR OTHER COMPETENT CONSTRUCTION INDUSTRY TRADE PROFESSIONALS HAVING AN INTEREST IN THE SELECTION, SPECIFICATION, AND USE OF PRODUCTS MANUFACTURED BY THE SUBSIDIARIES OF USG CORPORATION. THE DRAWINGS ARE INTENDED SOLELY AS TECHNICAL SUPPORT INCIDENT TO THE SALE AND USE OF USG PRODUCTS AND NOT INTENDED TO BE A SUBSTITUTE FOR THE DESIGN REVIEW AND APPROVAL OF THE LICENSED DESIGN PROFESSIONALS FOR THE PROJECT. THESE MATERIALS MAY BE PRINTED AND/OR TRANSFERRED ELECTRONICALLY SOLELY AS NEEDED BY THE USER, BECAUSE CAD ELECTRONIC FILES AND BIM (BUILDING INFORMATION MODELING) FILES CAN BE MODIFIED BY OTHER PARTIES, WITHOUT NOTICE OR INDICATION OF SUCH MODIFICATIONS. MODIFICATION OF USG PRODUCT CAD DRAWINGS IS THE SOLE RESPONSIBILITY OF THE DESIGN PROFESSIONAL.



SPRINKLER HEAD SHOWN
PENETRATION DETAIL

1

3" = 1'-0"



USG Corporation
550 West Adams Street
Chicago, IL 60661
T. 800-USG4YOU

CELEBRATION™ SNAP-IN DETAIL

ISSUE RECORD:

DATE:

3/7/2019 2:02:31 PM

SHEET INFORMATION:

CS 15

DISCLAIMER: THE USG PRODUCT INFORMATION CONTAINED HEREIN ARE INTENDED FOR USE AS PRODUCT REFERENCE MATERIAL BY ARCHITECTS, ENGINEERS, AND OTHER DESIGN PROFESSIONALS, CONTRACTORS, BUILDING CODE OFFICIALS, OR OTHER COMPETENT CONSTRUCTION INDUSTRY TRADE PROFESSIONALS HAVING AN INTEREST IN THE SELECTION, SPECIFICATION, AND USE OF PRODUCTS MANUFACTURED BY THE SUBSIDIARIES OF USG CORPORATION. THE DRAWINGS ARE INTENDED SOLELY AS TECHNICAL SUPPORT INCIDENT TO THE SALE AND USE OF USG PRODUCTS AND NOT INTENDED TO BE A SUBSTITUTE FOR THE DESIGN REVIEW AND APPROVAL OF THE LICENSED DESIGN PROFESSIONALS FOR THE PROJECT. THESE MATERIALS MAY BE PRINTED AND/OR TRANSFERRED ELECTRONICALLY SOLELY AS NEEDED BY THE USER, BECAUSE CAD ELECTRONIC FILES AND BIM (BUILDING INFORMATION MODELING) FILES CAN BE MODIFIED BY OTHER PARTIES, WITHOUT NOTICE OR INDICATION OF SUCH MODIFICATIONS, MODIFICATION OF USG PRODUCT CAD DRAWINGS IS THE SOLE RESPONSIBILITY OF THE DESIGN PROFESSIONAL.