

USG
Ceiling
Solutions

**USG CELEBRATION™
TORSION SPRING**
CEILING SYSTEM

SYSTEM GUIDE



IT'S YOUR WORLD. BUILD IT.®

USG CELEBRATION™ TORSION SPRING

CEILING SYSTEM

SYSTEM GUIDE

USG Celebration™ Torsion Spring Ceiling System is an engineered design that combines a monolithic appearance with easy access to the plenum through downward accessible panels. USG Celebration Torsion Spring panels provide a clean, no reveal look that completely hides the suspension system as well as maintain superior alignment throughout the ceiling system. The well-thought-out system is a sensible choice to demonstrate the beauty and precision of your design while still providing the ease of usability that the torsion spring system provides.

INTRODUCTION

2 System Overview

SYSTEM DESIGN

3 Panel Sizes
4 Components
5 Assembly
6 Finishes
7 Perforations
11 Grid Layout
14 Details

FOR MORE INFORMATION

Technical Service
800 USG.4YOU (874-4968)

Web Site
usg.com or cgcinc.com

SYSTEM OVERVIEW

USG CELEBRATION™ TORSION SPRING CEILING SYSTEM

USG Celebration™ Torsion Spring System allows you to create a monolithic ceiling design that is both easy to install and easy to maintain. As part of the Celebration family of downward accessible ceiling systems, you would be able to choose from a wide variety of finishes and perforation patterns. Available in wall-to-wall or cloud designs, the USG Celebration Torsion Spring System is engineered to use multiple panel sizes together to further expand your creative design.

FEATURES AND BENEFITS

- Aluminum panels provide a monolithic appearance
 - Full 90 degree swing-down motion provides easy downward access to plenum areas
 - Spring clip design provides superior alignment
 - No reveal
 - Wind load tested and approved for exterior applications with proper bracing and exterior framing
-

SIZES

24" x 24", 24" x 48", 24" x 72", 24" x 96", 48" x 48"

MATERIALS

Aluminum

SUSPENSION SYSTEM

Standard USG Donn® Brand DX® main tees are used in conjunction with slotted cross tees. The slotted cross tees are available in 2', 4' and 6' lengths with the 6' cross tees specifically designed for use with the 24" x 72" panels. USG Donn® Brand ZXLA™ main tees used with slotted ZXA™ cross tees are recommended for exterior applications.

PERIMETER DETAILS

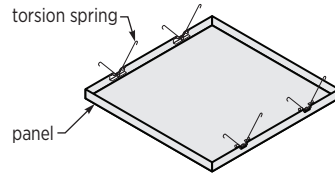
USG Compäso® Standard trim may be used with the USG Celebration Torsion Spring ceiling system for a finished appearance at exposed edges. Please refer to USG Compäso® Standard/Elite (IC309) datasheet for additional information.

ACOUSTICAL PERFORMANCE

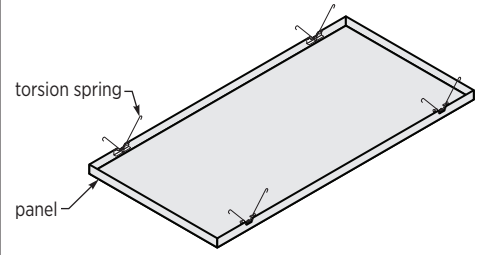
Perforated panels with an Acoustibond sound backer achieve a range of 0.35-0.75 NRC, dependent on the perforation pattern, when installed in an enclosed plenum. Available fiberglass filled polybags provide even greater acoustical performance.

PANEL SIZES

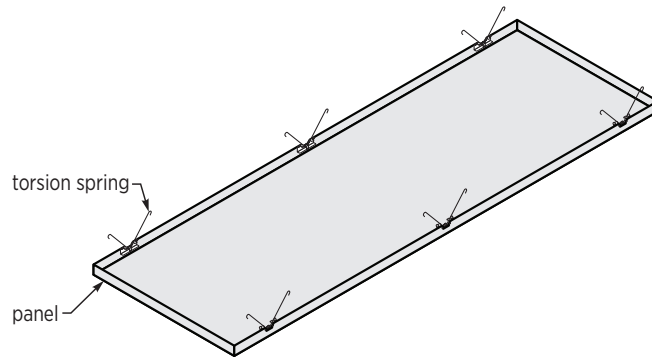
24" x 24"



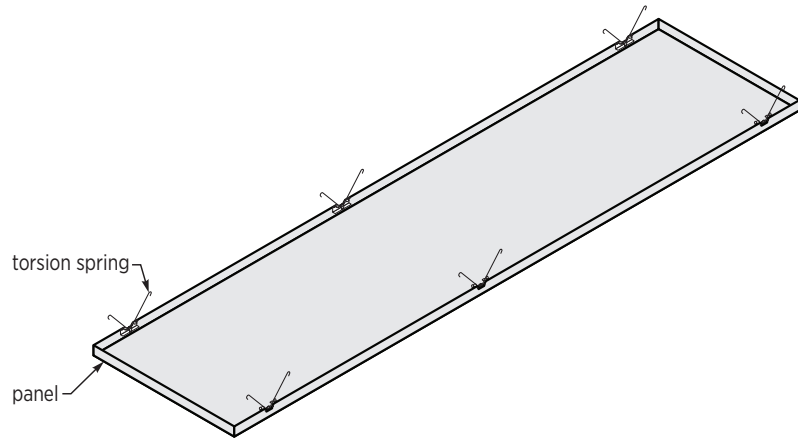
24" x 48"



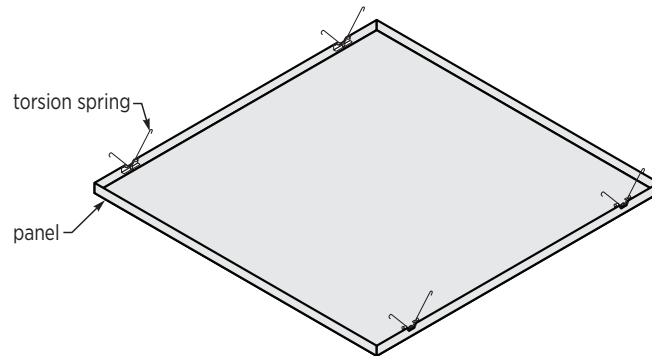
24" x 72"



24" x 96"



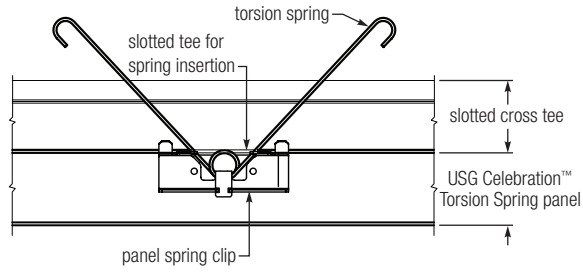
48" x 48"



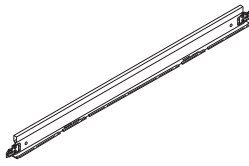
COMPONENTS

DETAILS

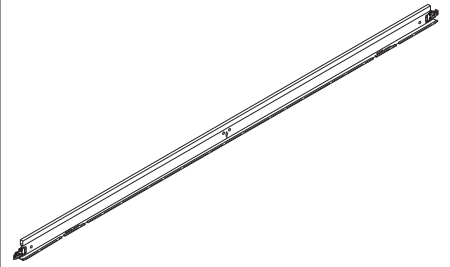
Torsion Spring with spring clip



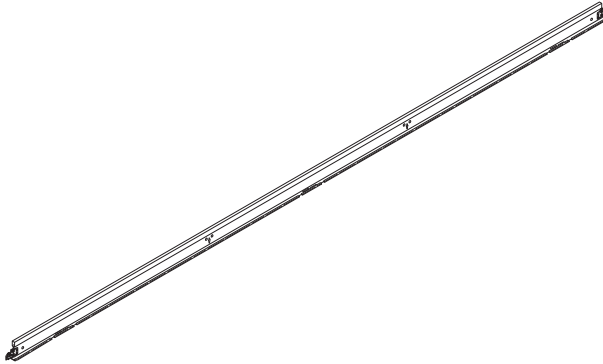
2' Cross Tee



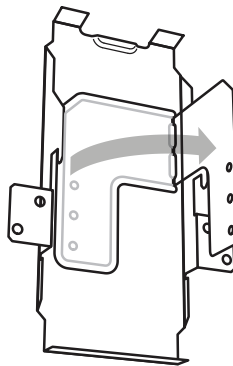
4' Cross Tee



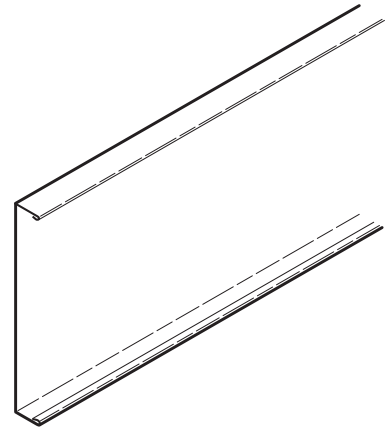
6' Cross Tee



TS Trim Clip



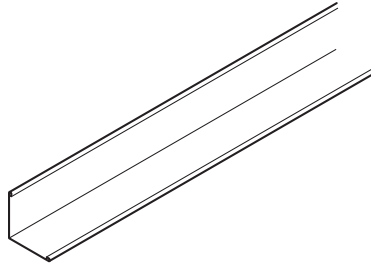
USG Compasso® Standard



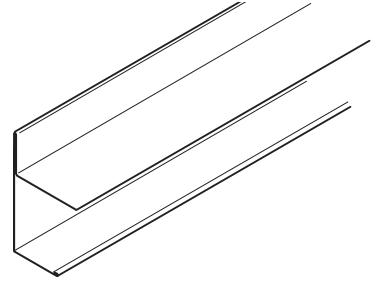
COMPONENTS

DETAILS

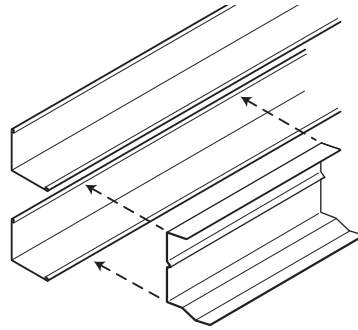
M7 Wall Angle



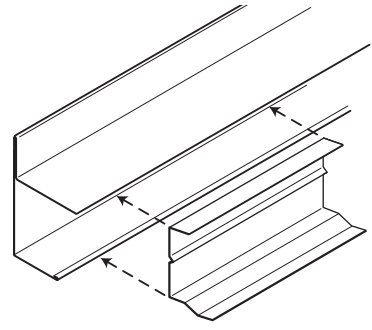
F-Mold



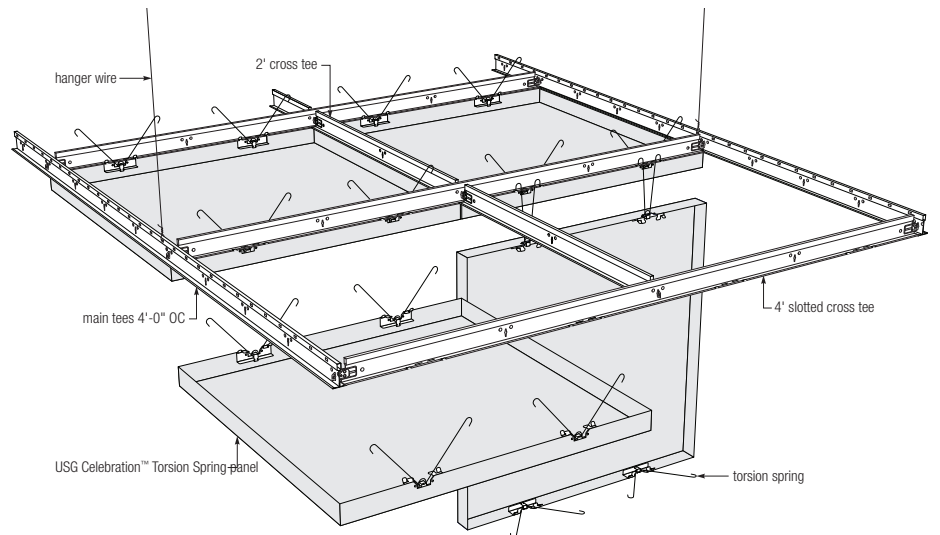
T-15 Hold Down Clip with Double M7



T-15 Hold Down Clip with F-Mold



ASSEMBLY



FINISHES

PAINTED METALS

Metallic finishes shown²

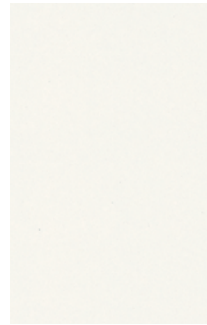
Flat White (050)



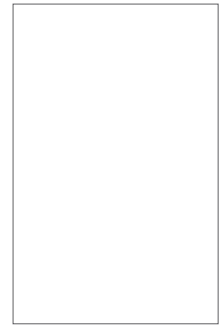
Silver Satin (002)



Metallic Oyster (1652)



Matte White (3708)



ANODIZED METALS¹

USG Paraline® only;
PII—Black Reveal not available with these finishes

Brushed Aluminum (PIA12)



Polished Brass (PM21)



Polished Chrome (PM61)



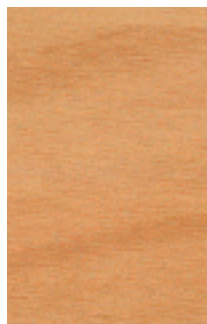
Satin Chrome (PM614)



WOOD TONES³

USG Celebration™ and Panz®, 1'x4', 1'x5', 20"x60",
2'x2' and 2'x4' panels. Coordinating suspension and/
or trim color available.

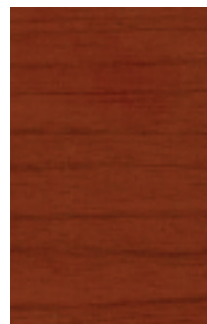
Beech



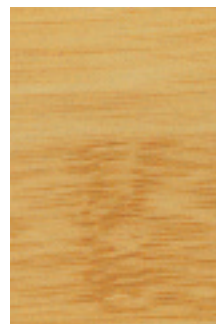
Dark Bamboo



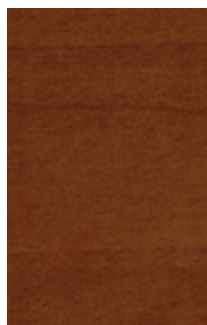
Dark Cherry



Light Bamboo



Light Cherry



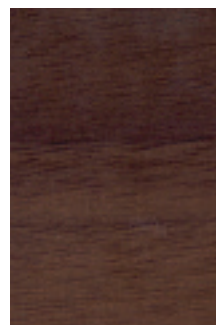
Maple



Red Oak



Walnut



STANDARD PERFORATIONS¹

FINISHES

Please call 866 528-7089 to request a sample.

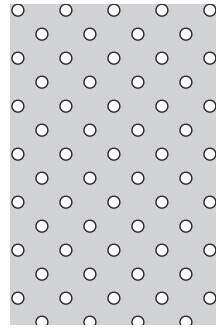
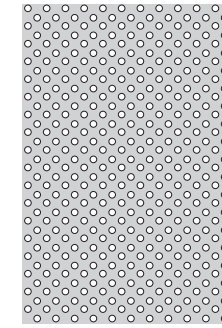
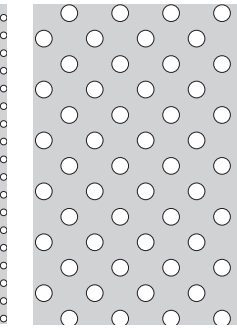
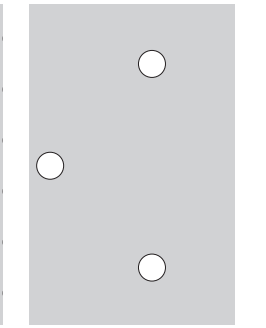
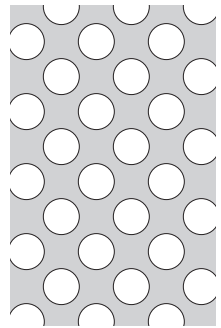
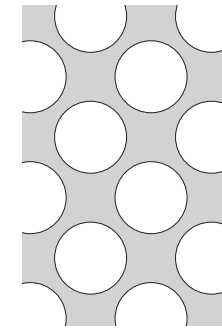
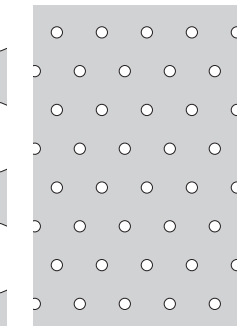
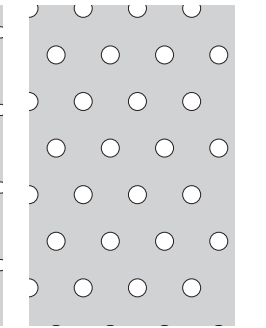
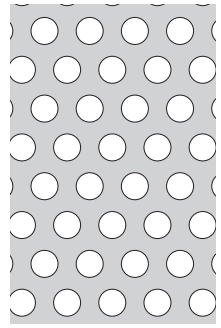
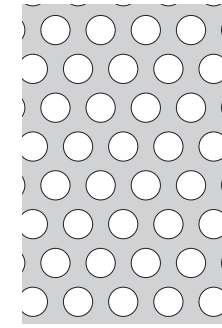
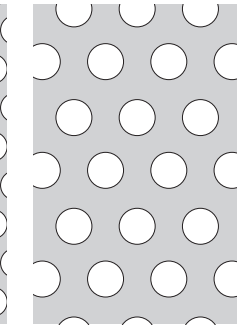
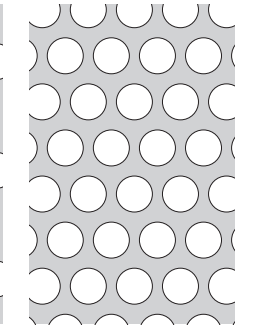
Pattern Number	Perforation Pattern	Open Area % ⁵
A062	Round 1/16" Perforations, 0.25" o.c. (without border)	5%
A062A	Round 1/16" Perforations, 0.25" o.c.	5%
A062D (Micro perf.)	Round .062" Perforations, 0.124" o.c.	19%
A116	Round 15/128" Perforations, 0.354" o.c.	17%
A188	Round 3/16" Perforations, 1" o.c.	3%
A250	Round 1/4" Perforations, 0.5" o.c.	39%
A500 ⁵	Round 1/2" Perforations, 0.848" o.c.	55%
B079	Round 5/64" Perforations, 0.312" o.c.	6%
B125	Round 1/8" Perforations, 0.375" o.c.	10%
B188A	Round 3/16" Perforations, 0.312" o.c.	33%
B197	Round 13/64" Perforations, 0.316" o.c.	35%
B250	Round 1/4" Perforations, 0.437" o.c.	30%
B250H (Formerly H250) ⁵	Round 1/4" Perforations, 0.32" o.c.	58%
B312	Round 5/16" Perforations, 0.437" o.c.	46%
B500 ⁵	Round 1/2" Perforations, 0.600" o.c.	63%
C030 ⁶	Round 1/32" Perforations, 0.197" o.c.	1.8%
C062 ²	Round 1/16" Perforations, 0.351" o.c.	2%
C062A ²	Round 1/16" Perforations, 0.175" o.c.	10%
C116	Round 15/128" Perforations, 0.344" o.c.	8%
C188	Round 3/16" Perforations, 1.414" o.c.	1%
C250A	Round 1/4" Perforations, 0.65" o.c.	12%
C375 ²	Round 3/8" Perforations, 1.125" o.c.	9%
C500	Round 1/2" Perforations, 1.5" o.c.	9%
D250 ²	Square 1/4" Perforations, 0.75" o.c.	11%
D375 ²	Square 3/8" Perforations, 1.125" o.c.	11%
D500	Square 1/2" Perforations, 1.5" o.c.	17%
D500D ³	Square 1/2" Perforations, 0.595" o.c.	70%
EC25D ³	Round 1/4" dia. x 1/16" Embossing, 1.18" o.c.; No Perforation	0%
EC25U ³	Round 1/4" dia. x 1/16" Embossing, 1.18" o.c.; No Perforation	0%
EM25D ³	Round 1/4" dia. x 1/16" Embossing, 1/4" Perforations, 1.14" o.c.	2%
EM25U ³	Round 1/4" dia. x 1/16" Embossing, 1/4" Perforations, 1.14" o.c.	2%

Notes

1. Refer to IC425 USG Perforations Selection Guide for more information.
2. Also standard for USG Geometrix panels.
3. 2'x2' USG Celebration™ and Panz® panels only.
4. Perforation patterns shown at 75% of actual size. When ordering, please refer to the pattern number for perforation samples (for example, "A062"). (All samples are 6"x6".)
5. Panels with an open area ≥ 50% offered in 2'x2' only.
6. 2' wide USG Celebration™ Snap-In, Celebration Torsion Spring, Panz® and Curvatura™ panels up to 6' long only.

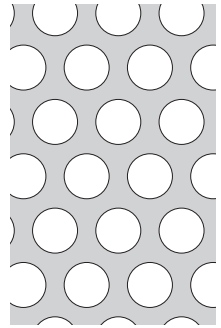
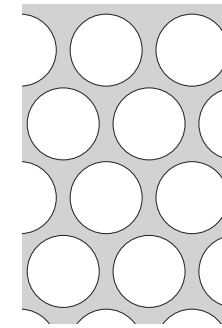
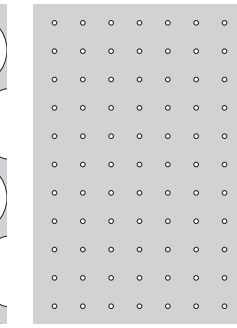
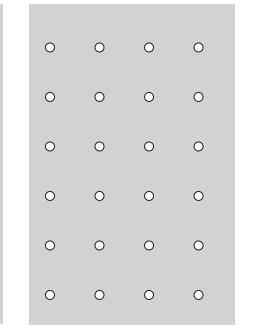
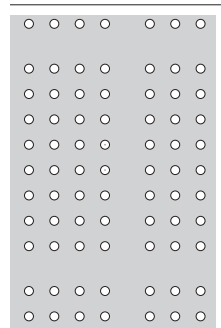
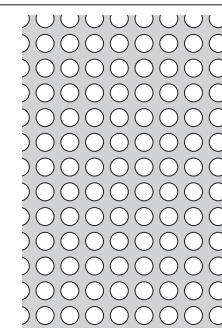
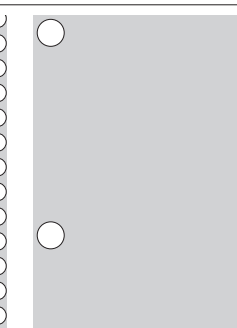
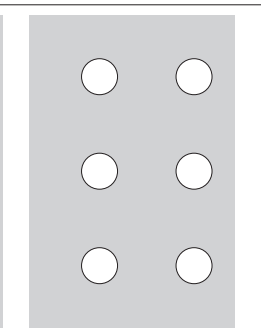
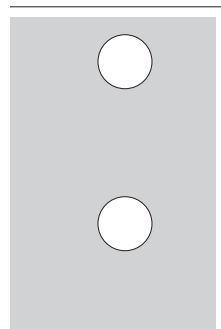
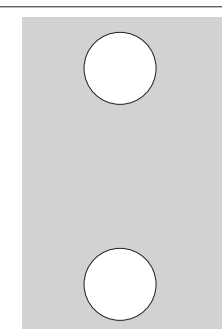
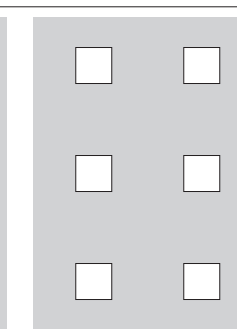
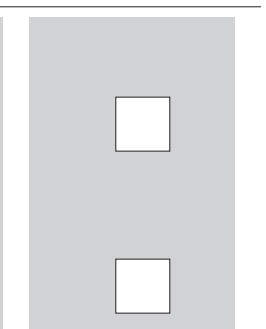
STANDARD PERFORATIONS⁴

METAL PERFORATIONS

<p>Pattern No. A062/A062A</p> 	<p>Pattern No. A062D</p> 	<p>Pattern No. A116</p> 	<p>Pattern No. A188</p> 
<p>Round—1/16" perforations 0.25" o.c., 5% open area</p>	<p>Round—0.062" perforations 0.124" o.c., 19% open area Micro perf.</p>	<p>Round—15/128" perforations 0.354" o.c., 17% open area</p>	<p>Round—3/16" perforations 1" o.c., 3% open area</p>
<p>Pattern No. A250</p> 	<p>Pattern No. A500</p> 	<p>Pattern No. B079</p> 	<p>Pattern No. B125</p> 
<p>Round—1/4" perforations 0.5" o.c., 39% open area</p>	<p>Round—1/2" perforations 0.848" o.c., 55% open area not to be used with the USG Curvatura™ One-Directional Ceiling System</p>	<p>Round—5/64" perforations 0.312" o.c., 6% open area</p>	<p>Round—1/8" perforations 0.375" o.c., 10% open area</p>
<p>Pattern No. B188A</p> 	<p>Pattern No. B197</p> 	<p>Pattern No. B250</p> 	<p>Pattern No. B250H (formerly H250)</p> 
<p>Round—3/16" perforations 0.312" o.c., 33% open area</p>	<p>Round—13/64" perforations 0.316" o.c., 35% open area</p>	<p>Round—1/4" perforations 0.437" o.c., 30% open area</p>	<p>Round—1/4" perforations 0.32" o.c., 58% open area</p>

STANDARD PERFORATIONS⁴

METAL PERFORATIONS

<p>Pattern No. B312</p> 	<p>Pattern No. B500</p> 	<p>Pattern No. C030</p> 	<p>Pattern No. B500</p> 
<p>Round—5/16" perforations 0.437" o.c., 46% open area</p>	<p>Round—1/2" perforations 0.600" o.c., 63% open area not to be used with the USG Curvatura™ One-Directional Ceiling System</p>	<p>Round—1/32" perforations 0.197" o.c., 1.8% open area</p>	<p>Round—1/16" perforations 0.351" o.c., 2% open area</p>
<p>Pattern No. C062A</p> 	<p>Pattern No. C116</p> 	<p>Pattern No. C188</p> 	<p>Pattern No. C250A</p> 
<p>Round—1/16" perforations 0.175" o.c., 10% open area</p>	<p>Round—15/128" perforations 0.344" o.c., 8% open area</p>	<p>Round—3/16" perforations 1.414" o.c., 1% open area</p>	<p>Round—1/4" perforations 0.65" o.c., 12% open area</p>
<p>Pattern No. C375</p> 	<p>Pattern No. C500</p> 	<p>Pattern No. D250</p> 	<p>Pattern No. D375</p> 
<p>Round—3/8" perforations 1.125" o.c., 9% open area</p>	<p>Round—1/2" perforations 1.5" o.c., 9% open area</p>	<p>Square—1/4" perforations 0.75" o.c., 11% open area</p>	<p>Square—3/8" perforations 1.125" o.c., 11% open area</p>

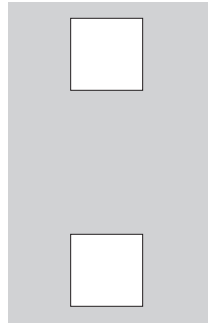
Notes

1. Do not use with USG Curvatura™ One-Directional Ceiling System.
2. Standard for USG Geometrix® panels.
3. 2'x2' USG Celebration™ and Panz® panels only.
4. USG Perforation patterns shown at 75% of actual size. When ordering, please refer to the pattern number for perforation samples (for example, "A062"). (All samples are 6"x6".)
5. Panels with an open area ≥ 50% offered in 2'x2' only.
6. 2" wide USG Celebration™ Snap-In, Celebration Torsion Spring, Panz® and Curvatura™ panels up to 6' long only.

STANDARD PERFORATIONS⁴

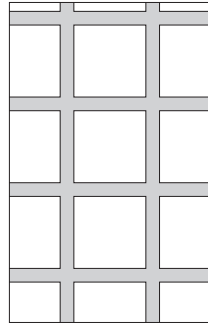
METAL PERFORATIONS

Pattern No. D500



Square—1/2" perforations
1.5" o.c., 17% open area

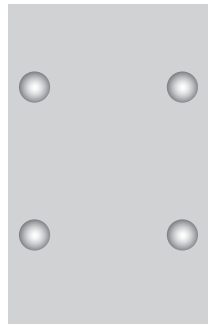
Pattern No. B312



Square—1/2" perforations
0.595" o.c., 70% open area
(70% open area required for
sprinklers above ceiling)

EMBOSSING ONLY⁴

Pattern No. EM25D

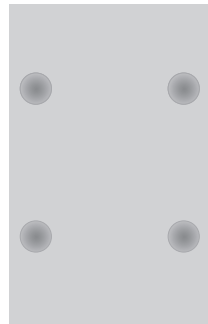


Round—1/4" dia. x 1/16"
embossing 1.18" o.c., no
perforation



Face side

Pattern No. EM25U



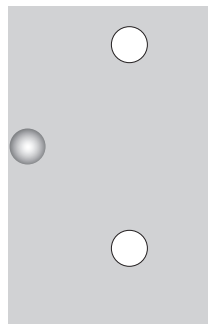
Round—1/4" dia. x 1/16"
embossing 1.18" o.c., no
perforation



Face side

EMBOSSING AND PERFORATIONS⁴

Pattern No. EC25D

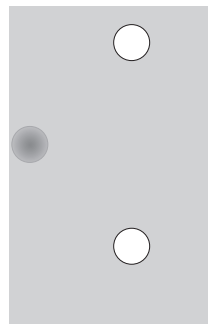


Round—1/4" perforations
1.41" o.c., 2% open area
Black Acoustibond™ backer
standard



Face side

Pattern No. EC25U



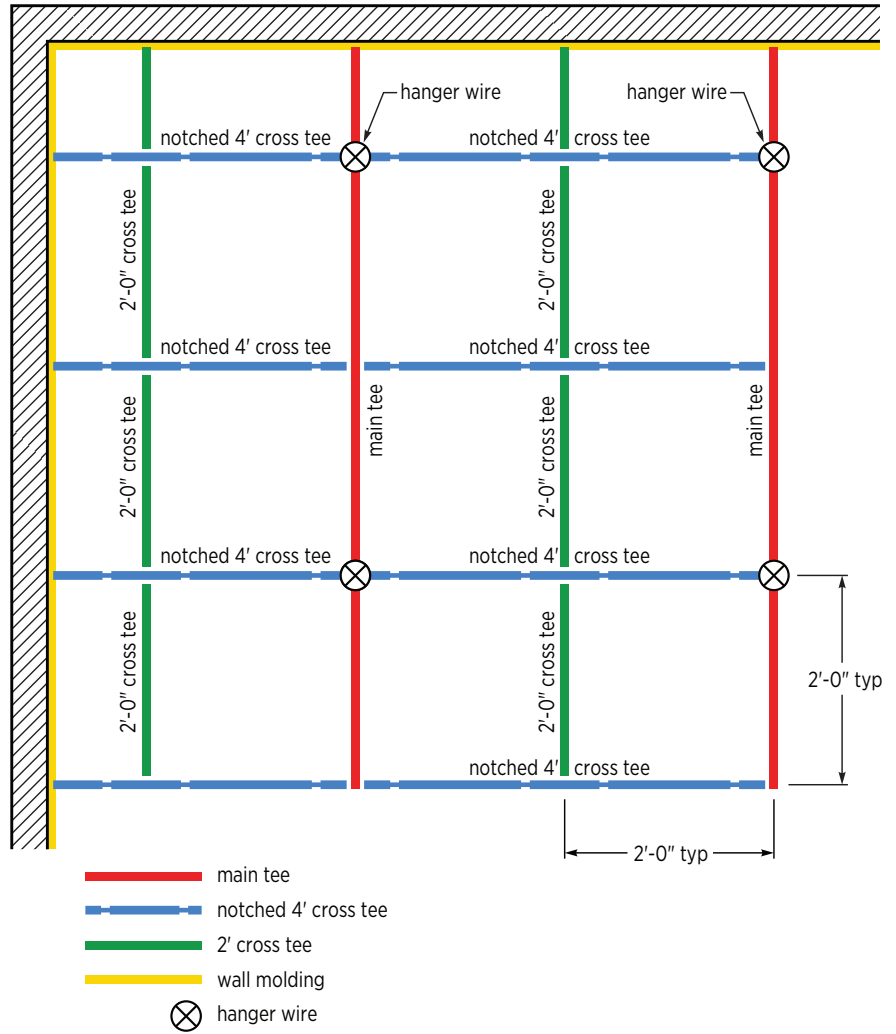
Round—1/4" perforation
1.41" o.c., 2% open area
Acoustibond™ backer not
available



Face side

**2' X 2' LAYOUT TYPICAL
GRID FRAMING PLAN**

GRID LAYOUT

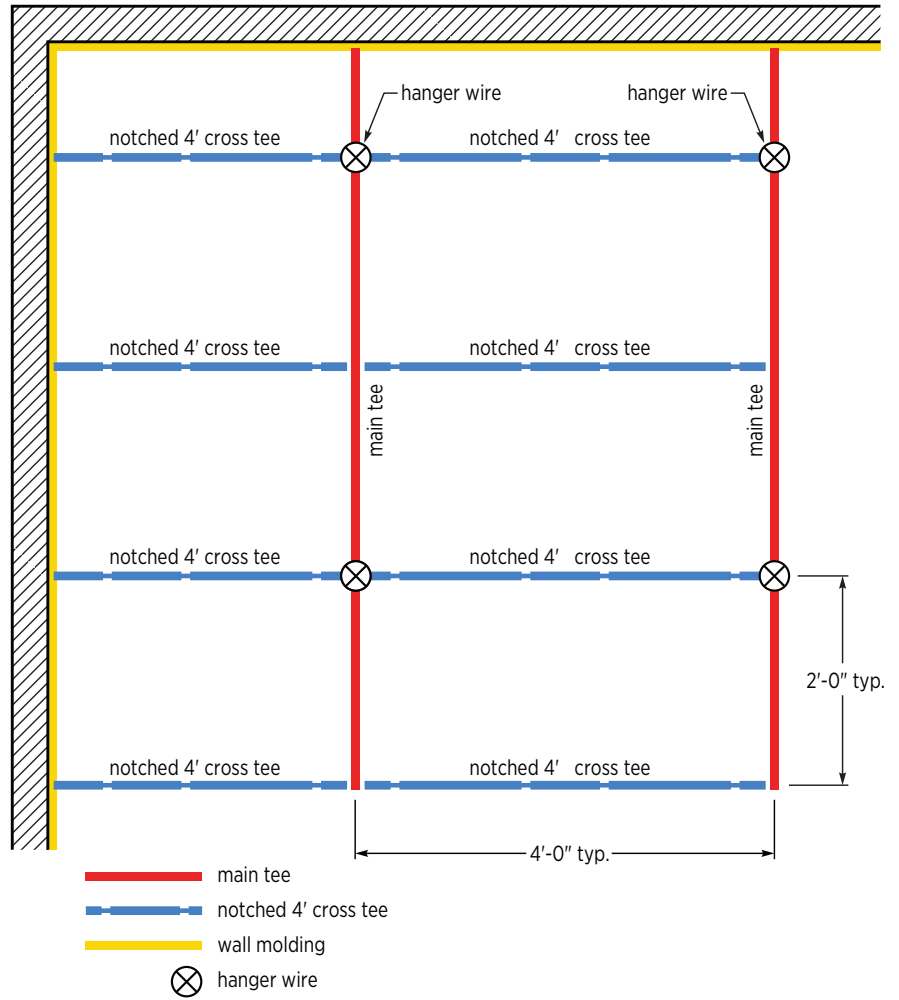


Notes

1. Reference USG publication *Celebration Torsion Spring Installation Guide* (IC637) for more information.
2. For exterior applications, contact your local USG representative for more information.

**2' X 4' LAYOUT TYPICAL
GRID FRAMING PLAN**

GRID LAYOUT

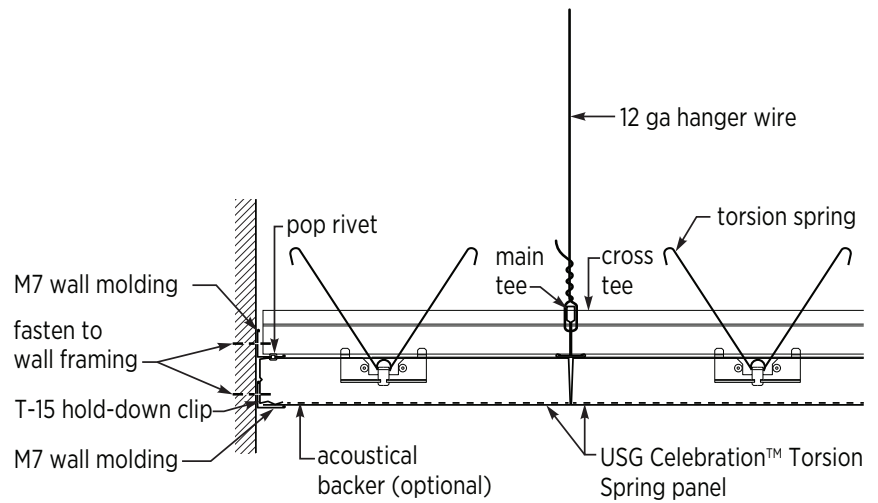
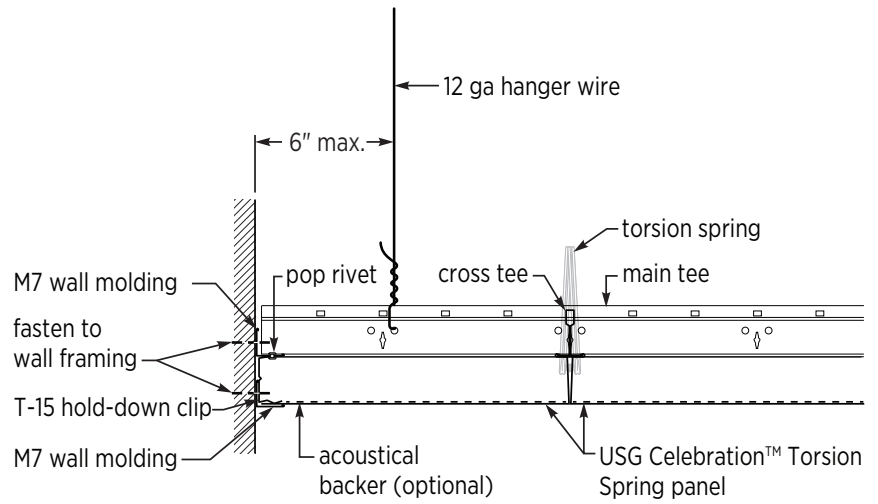


Notes

1. Reference USG publication *Celebration Torsion Spring Installation Guide* (IC637) for more information.
2. For exterior applications, contact your local USG representative for more information.

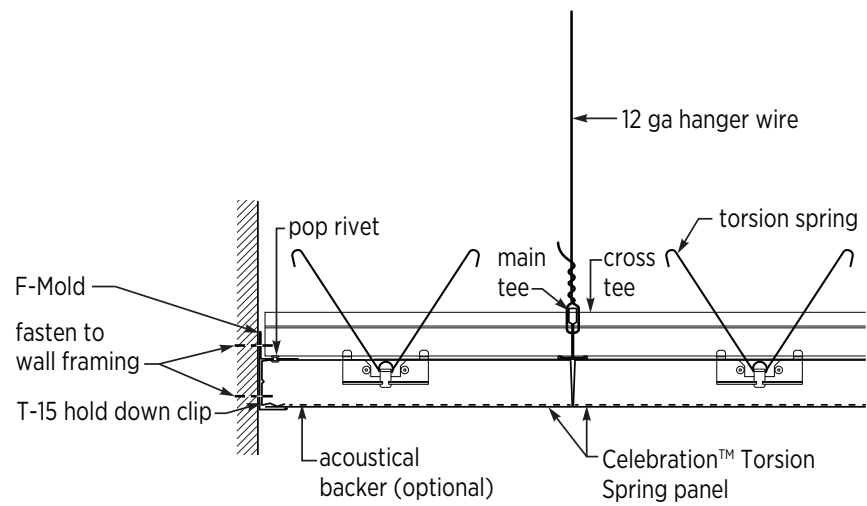
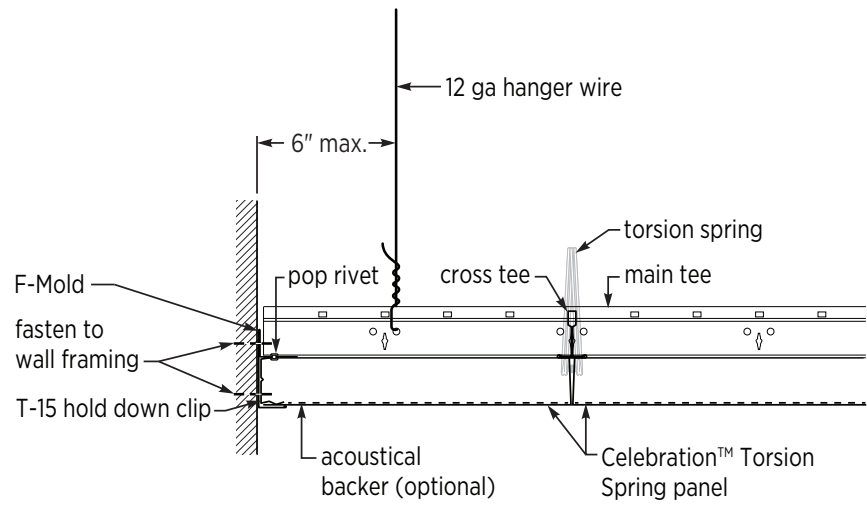
DETAILS

CUT PANEL PERIMETER WALL INTERFACE (WITH M7 WALL MOLDINGS)



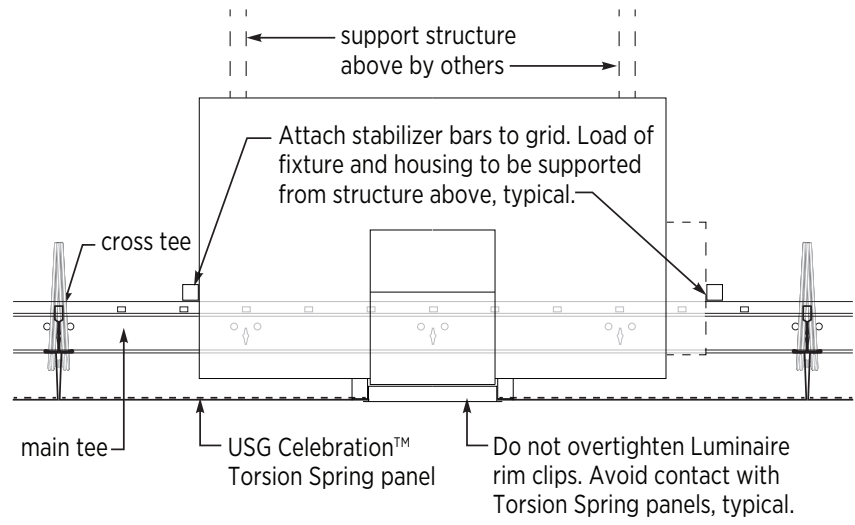
DETAILS

CUT PANEL PERIMETER WALL INTERFACE (WITH F-MOLD)



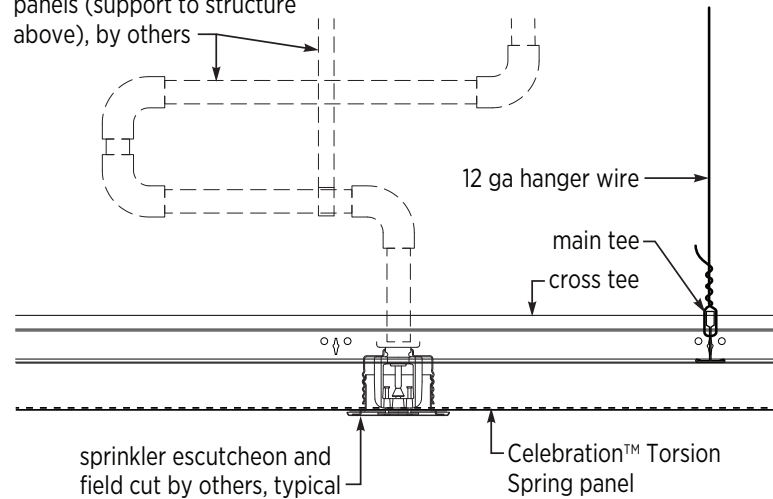
DETAILS

PANEL AT LIGHT FIXTURE



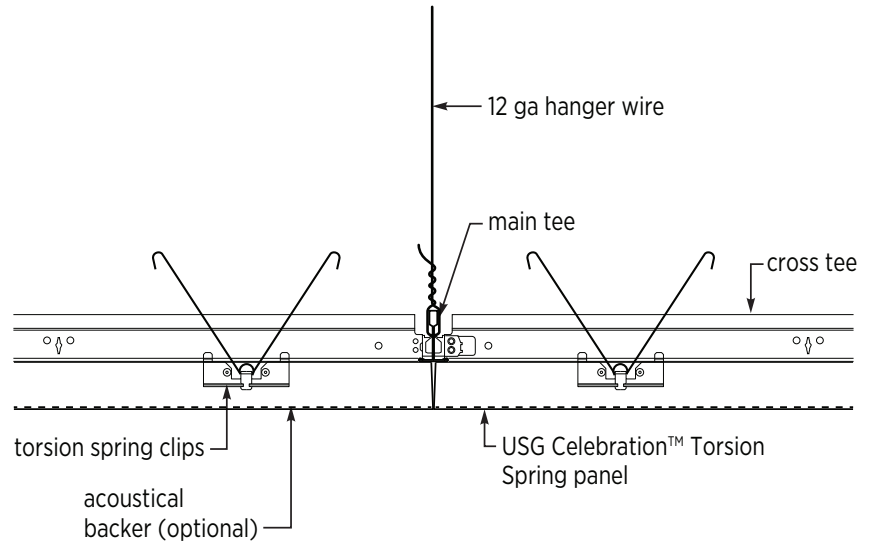
PANEL AT SPRINKLER

swing-arm assembly is recommended to allow centering in torsion spring panels (support to structure above), by others



DETAILS

FULL PANEL AT CROSS TEE



PRODUCT INFORMATION

See usg.com for the most up-to-date product information.

CUSTOMER SERVICE

USG 800 950-3839
CGC 800 387-2690

TECHNICAL SERVICE

800 USG.4YOU (874-4968)

WEBSITES

usg.com
cgcinc.com
usgdesignstudio.com
cgcdesignstudio.com

PRODUCT INFORMATION

Data Page: IC622
Installation Guide: IC637
See usg.com or cgcinc.com for the most up-to-date product information.

INSTALLATION

Must be installed in compliance with ASTM C636, ASTM E580, CISCA and standard industry practices, within all applicable code requirements. Alternative assemblies and installation methods may be utilized when approved by the authority having jurisdiction. USG recommends checking with the authority having jurisdiction prior to designing and installing a suspended ceiling system.

CODE COMPLIANCE

The information presented is correct to the best of our knowledge at the date of issuance. Because codes continue to evolve, check with a local official prior to designing and installing a ceiling system. Other restrictions and exemptions may apply.

NOTICE

We shall not be liable for incidental and consequential damages, directly or indirectly sustained, nor for any loss caused by application of these goods not in accordance with current printed instructions or for other than the intended use. Our liability is expressly limited to replacement of defective goods. Any claim shall be deemed waived unless made in writing to us within thirty (30) days from date it was or reasonably should have been discovered.

COLOR VARIATIONS

Some commercially acceptable color variation may occur between lots and between different size canopies of the same color.

SEISMIC APPLICATIONS

Refer to *Seismic Technical Guide, Specialty Decorative Ceilings (SC2494)* for more information on architectural components.

SAFETY FIRST!

Follow good safety/industrial hygiene practices during installation. Wear appropriate personal protective equipment. Read SDS and literature before specification and installation.

WARRANTY

One (1) year limited warranty. See *USG Ceilings Commercial Application Warranty (SC2102)* for additional details. For Canadian product needs, please contact your local sales representative.

IC638/2-20

© 2020 USG Corporation and/or its affiliates. All rights reserved.

The trademarks USG, ACOUSTIBOND CELEBRATION, COMPÁSSO, CURVATURA, DONN, DX, GEOMETRIX, PANZ, PARALINE, ZXLA, IT'S YOUR WORLD. BUILD IT., the USG logo, the design elements and colors, and related marks are trademarks of USG Corporation or its affiliates.

NOTICE

The information in this document is subject to change without notice. CGC Inc. or USG Corp. assumes no responsibility for any errors that may inadvertently appear in this document.



IT'S YOUR WORLD. BUILD IT.®