

COMPÄSSO™ ELITE BUILDING PERIMETER SYSTEMS: CURTAIN POCKETS



TO ORDER SAMPLES, GO TO USG.COM OR CGCINC.COM

PAINTED METAL



Flat White
050

FEATURES AND BENEFITS

- High aesthetic appeal for integrating utilities at building perimeters .
- Fast efficient installation with multiple mounting options.
- Made with the precision of extruded aluminum.
- Seamless integration with USG Ceiling Systems.

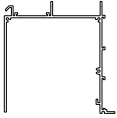
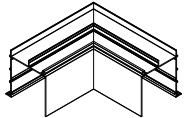
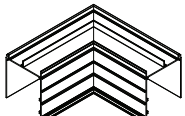
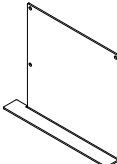
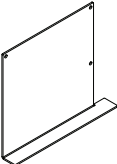
APPLICATIONS

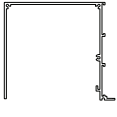
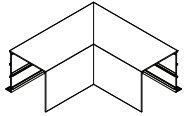
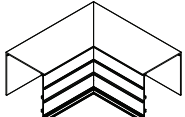
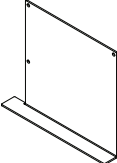
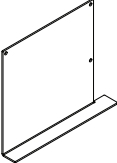
- Interior Applications
- Wall to Wall Ceilings
- Wall Applications
- New Construction

COMPÄSSO™ ELITE BUILDING PERIMETER SYSTEMS: CURTAIN POCKETS

ORDER SAMPLES/LITERATURE
 USG: usg.com or samplitt@usg.com
 CGC: contact Sales Representative
TECHNICAL SERVICES
 800 USG.4YOU (874-4968)

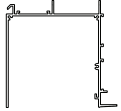
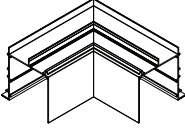

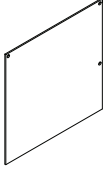
FOR MOST UP-TO-DATE
**TECHNICAL INFORMATION
 AND LEED REPORT TOOL**
 usgdesignstudio.com
 cgcdesignstudio.com

3-Sided Curtain Pocket with Acoustical Flange with Integrated Framing Channel				
Item	Description	Size	Length	
277996	3-Sided Pocket with Acoustical Flange	5" x 5" x 5"	120"	
277997	Outside Corner with Acoustical Flange	12" x 5" x 12"	12"	
277998	Inside Corner with Acoustical Flange	12" x 5" x 12"	12.75"	
278071	Right Hand End Cap with Acoustical Flange	5" x 5"		
278072	Left Hand End Cap with Acoustical Flange	5" x 5"		

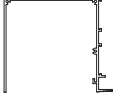
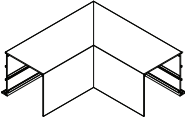
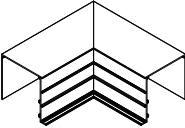
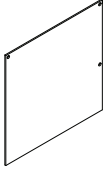
3-Sided Curtain Pocket with Acoustical Flange for Traditional Metal Framing				
Item	Description	Size	Length	
278001	3-Sided Pocket with Acoustical Flange	5" x 5" x 5"	120"	
278002	Outside Corner with Acoustical Flange	12" x 5" x 12"	12"	
278003	Inside Corner with Acoustical Flange	12" x 5" x 12"	12.75"	
278071	Right Hand End Cap with Acoustical Flange	5" x 5"		
278072	Left Hand End Cap with Acoustical Flange	5" x 5"		

 **Low Emissions (VOC)**
 CDPH 01350 v1.2-2017 compliance on select finishes, see usg.com for more details and documentation.

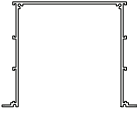
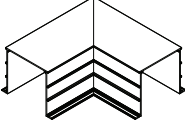
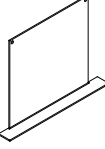
3-Sided Curtain Pocket with Drywall Flange with Integrated Framing Channel

Item	Description	Size	Length	
278008	3-Sided Pocket with Drywall Flange	5" x 5" x 5"	120"	
278009	Outside Corner with Drywall Flange	12" x 5" x 12"	12"	
278010	Inside Corner with Drywall Flange	12" x 5" x 12.75"	12"	
278000	End Cap for Drywall Flange	5" x 5"		

3-Sided Curtain Pocket with Drywall Flange for Traditional Metal Framing

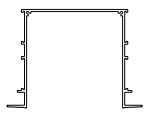
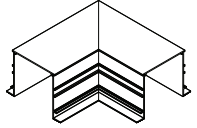
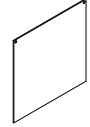
278014	3-Sided Pocket with Drywall Flange	5" x 5" x 5"	120"	
278015	Outside Corner with Drywall Flange	12" x 5" x 12"	12"	
278031	Inside Corner with Drywall Flange	12" x 5" x 12"	12.75"	
278000	End Cap for Drywall Flange	5" x 5"		

3-Sided Curtain Pocket with Dual Acoustical Flanges for Traditional Metal Framing

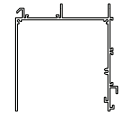
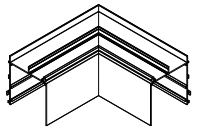
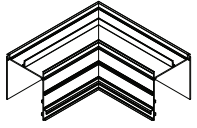
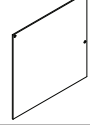
278032	3-Sided Pocket with Dual Acoustical Flanges	5" x 5" x 5"	120"	
278070	Interchangeable Corner with Dual Acoustical Flange	12" x 5" x 12"	12"	
278034	End Cap for Dual Acoustical Flanges	5" x 5"		

 **Low Emissions (VOC)**
CDPH 01350 v1.2-2017 compliance on select finishes, see usg.com for more details and documentation.

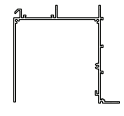
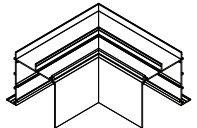
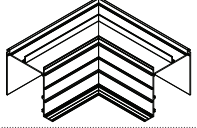
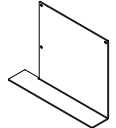
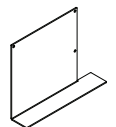
3-Sided Curtain Pocket with Dual Drywall Flanges for Traditional Metal Framing

Item	Description	Size	Length	
278035	3-Sided Pocket with Dual Drywall Flanges	5" x 5" x 5"	120"	
278069	Interchangeable Corner with Dual Drywall Flanges	12" x 5" x 12"	12"	
278033	End Cap for Dual Drywall Flanges	5" x 5"		

3-Sided Curtain Pocket with Extension Connector Flange with Integrated Framing Channel

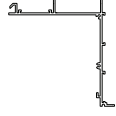


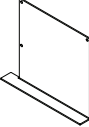
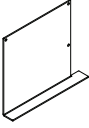
278047	3-Sided Pocket with Extension Connector Flange	5" x 5" x 5"	120"	
278048	Outside Corner with Extension Connector Flange	12" x 5" x 12"	12"	
278049	Inside Corner with Extension Connector Flange	12" x 5" x 12"	12.75"	
278011	End Cap for Extension Connector Flange	5" x 5"		

3-Sided Curtain Pocket with Acoustical Flange with Integrated Framing Channel

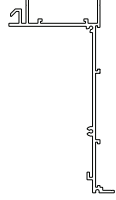


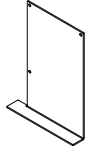
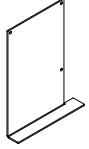
278616	3-Sided Seismic Pocket with Acoustical Flange	5" x 5" x 5"	120"	
278617	Seismic Outside Corner with Acoustical Flange	12" x 5" x 12"	12"	
278618	Seismic Inside Corner with Acoustical Flange	12" x 5" x 12"	12.75"	
278619	Seismic Right-Hand End Cap with Acoustical Flange	5" x 5"		
278620	Seismic Left-Hand End Cap with Acoustical Flange	5" x 5"		

 **Low Emissions (VOC)**
CDPH 01350 v1.2-2017 compliance on select finishes, see usg.com for more details and documentation.

2-Sided Curtain Pocket with Acoustical Flange with Integrated Framing Channel

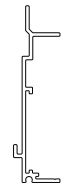
278036	2-Sided Pocket with Acoustical Flange	5" x 5" x 5"	120"	
278044	Outside Corner with Acoustical Flange	12" x 5" x 12"	12"	
278045	Inside Corner with Acoustical Flange	12" x 5" x 12"	12.75"	
278071	Right Hand End Cap with Acoustical Flange	5" x 5"		
278072	Left Hand End Cap with Acoustical Flange	5" x 5"		

2-Sided Curtain Pocket with Acoustical Flange with Integrated Framing Channel

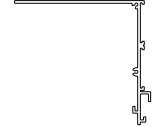
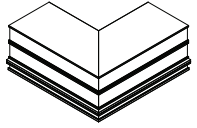
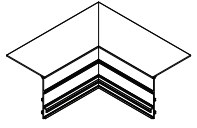
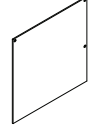
Item	Description	Size	Length	
278046	2-Sided Pocket with Acoustical Flange	3" x 6"	120"	
278068	Outside Corner with Acoustical Flange	12" x 6" x 12"	12"	
278067	Inside Corner with Acoustical Flange	12" x 6" x 12"	12.75"	
278013	Right Hand End Cap with Acoustical Flange	3" x 6"		
277999	Left Hand End Cap with Acoustical Flange	3" x 6"		

 **Low Emissions (VOC)**
CDPH 01350 v1.2-2017 compliance on select finishes, see usg.com for more details and documentation.







1-Sided Curtain Pocket with Acoustical Flange


278066	1-Sided Pocket with Acoustical Flange	3-1/2"	120"	
--------	---------------------------------------	--------	------	---

2-Sided Curtain Pocket with Extension Connector Flange for Traditional Metal Framing


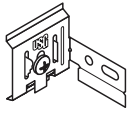
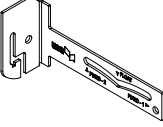
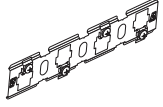
278050	2-Sided Pocket with Extension Connector Flange	5" x 5"	120"	
278051	Outside Corner with Extension Connector Flange	12" x 5" x 12"	12"	
278052	Inside Corner with Extension Connector Flange	12" x 5" x 12"	12.75"	
278011	End Cap for Extension Connector Flange	5" x 5"		

Accessories

Closure Plates	2"	3"	4"
Item Number	277981	277994	277995
			
Pocket Extensions	4"	6"	8"
Item Number	277976	277977	277978
			

 **Low Emissions (VOC)**
CDPH 01350 v1.2-2017 compliance on select finishes, see usg.com for more details and documentation.

Accessories

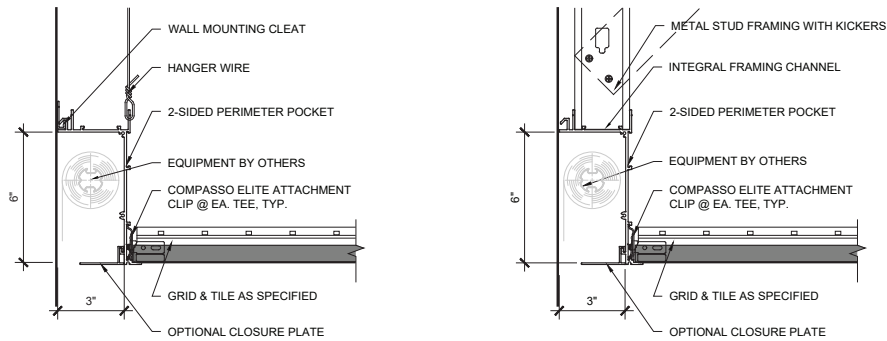
Mounting Cleat	277980		
Attachment Clip	279543		
Seismic Attachment Clip	278621		
Splice Plate	279540		

Sample Submittal Kits

Item	Description
600859	3-Sided Curtain Pocket with Acoustical Flange
600939	3-Sided Seismic Curtain Pocket with Acoustical Flange
600879	3-Sided Curtain Pocket with Drywall Flange
600898	3-Sided Curtain Pocket with Extension Connector Flange for Acoustical Flange
600899	2-Sided Curtain Pocket with Acoustical Flange
600929	2-Sided Curtain Pocket with Extension Connector Flange for Acoustical Flange

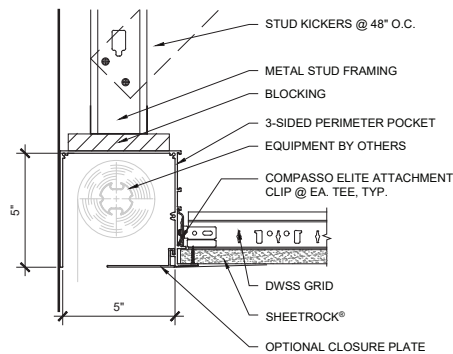
Typical Application Details:

2-Sided Curtain Pocket with Acoustical Flange and Integrated Framing Channel



Typical Application Details:

3-Sided Curtain Pocket with Acoustical Flange for Traditional Metal Framing

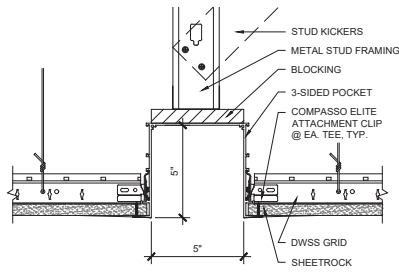


Low Emissions (VOC)

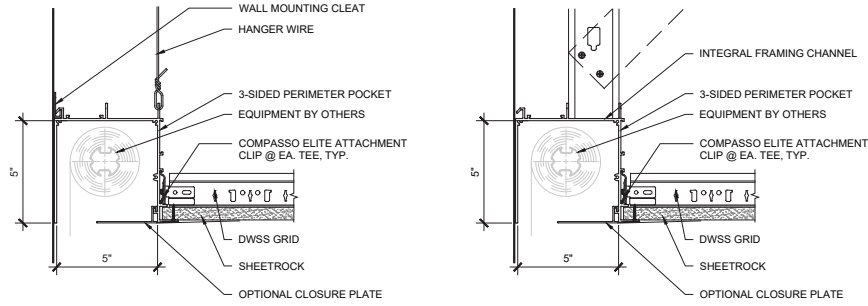
CDPH 01350 v1.2-2017 compliance on select finishes, see usg.com for more details and documentation.

Typical Application Details:

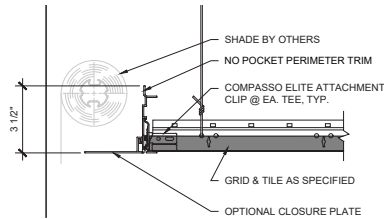
3-Sided Curtain Pocket with Dual Drywall Flanges for Traditional Metal Framing



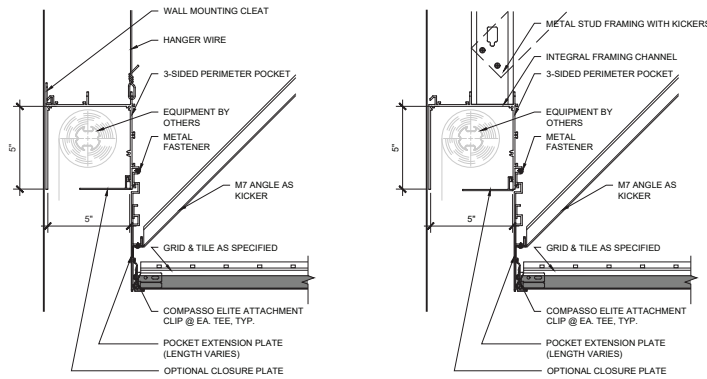
3-Sided Curtain Pocket with Drywall Flange and Integrated Framing Channel



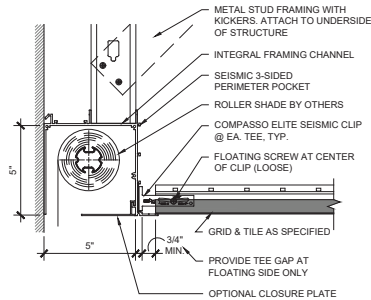
1-Sided Curtain Pocket with Acoustical Flange



3-Sided Curtain Pocket with Extension Connector with Acoustical Flange and Integrated Framing Channel



3-Sided Seismic Curtain Pocket with Extension Connector with Acoustical Flange and Integrated Framing Channel



In Seismic Categories C, D-F, USG Curtain Pockets need to be installed on the floating side. Spaced should be configured to ensure wall with USG Curtain Pockets is floating.

Notice

The information in this document is subject to change without notice. CGC Inc. or USG Corp. assumes no responsibility for any errors that may inadvertently appear in this document.