

USG COMPÄSSO™ STANDARD

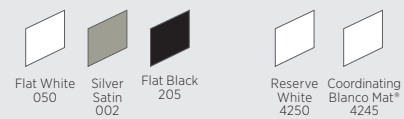
PERIMETER TRIMS



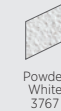
USG Compasso™ Standard Perimeter Trim with USG Halcyon™ Acoustical Panels/USG Donn® Brand Finline® DXF™ Acoustical Suspension System

TO ORDER SAMPLES, GO TO USG.COM OR CGCINC.COM

PAINTED METALS



POWDER-COATED METAL



ANODIZED METAL



TIMBRE™



CUSTOM COLORS AVAILABLE



FEATURES AND BENEFITS

- Creates free-form ceiling islands or fascias to define space and provide visual impact.
- Available in variable trim heights.
- Made to order; arrives on-site pre-engineered.
- Strong, durable and long-lasting steel construction.

APPLICATIONS

- Interior Applications
- Pods, Islands, and Clouds
- Sloped Ceilings
- Custom Curved Radius and Length
- Quick Ship Straights
- New Construction or Renovation



USG COMPASSO™ STANDARD

PERIMETER TRIMS

ORDER SAMPLES/LITERATURE
USG: usg.com or samplitt@usg.com
CGC: contact Sales Representative

FOR MOST UP-TO-DATE
TECHNICAL INFORMATION
AND LEED REPORT TOOL
usgdesignstudio.com
cgcdesignstudio.com
usg.ecomedes.com

TECHNICAL SERVICES
800.USG.4YOU (874-4968)

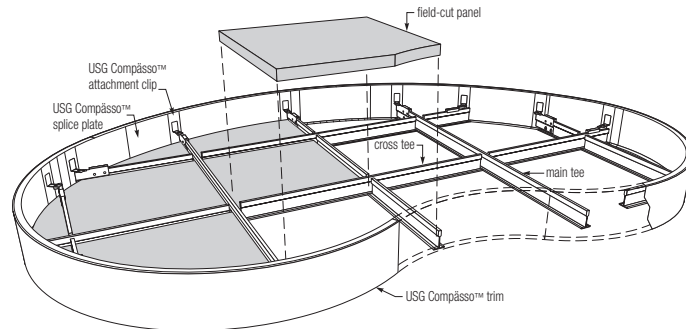
Declare. Declare® Labels on select finishes, see usg.ecomedes.com for more details and documentation.

PRODUCT INFORMATION

Perspective

Materials	Finishes
Steel (10" & 12" Aluminum)	Painted, anodized, plated, powder coated

USG Compasso™ Standard

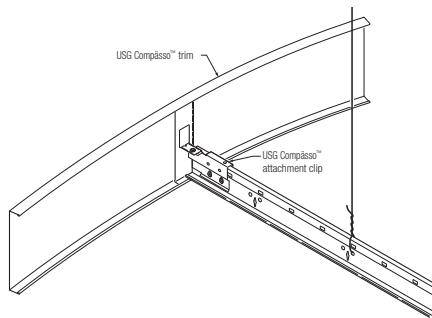


USG Compasso™ Standard

2-1/4"	4"	6"	8"	10"	12"

Attachment Clip

USG Compasso™ Standard



PHYSICAL DATA

Low Emissions (VOC)

Certified low emitting performance for select finishes, meets CDPH 01350 v1.2 - 2017. Certificates of Compliance for Low VOC Emissions are available on usg.com and at usg.ecomedes.com.

High Recycled Content

USG classifies High Recycled Content as greater than 50%. Methodology of calculation based on FTC guidelines.

Additional Documents and Resources

System Guide: IC400
Warranty: SC2102
Handling Guide: IC518
Installation Guide: IC464
Trim Systems Design Guide

Online Tools

usgdesignstudio.com, cgcdesignstudio.com
or usg.ecomedes.com

The Timbre™ finish used on Compasso™ Standard incorporates a coating manufactured by a third party manufacturer which provides a 30-year limited warranty under the circumstances set forth in the warranty. This limited warranty is issued to USG Ceilings Plus, LLC and USG Interiors, LLC ("USG"). In the event our customer experiences a problem with the coating covered by the third party manufacturer's limited warranty, USG will use the information you provide to file a claim under the limited warranty.

- Minimum Radius (2-1/4", 4", 6" and 8") is 18".
- Minimum Radius (10" and 12") is 24".

Notice

The information in this document is subject to change without notice. CGC Inc. or USG Corp. assumes no responsibility for any errors that may inadvertently appear in this document.

IC5404/rev. 12-25

© 2025 USG Corporation and/or its affiliates. All rights reserved. Printed in USA

Manufactured by
USG Interiors, LLC
550 West Adams Street
Chicago, IL 60661

The trademarks USG, CGC, BLANCO MAT, COMPASSO, DONN, DXF, FINELINE, HALCYON, TIMBRE, IT'S YOUR WORLD. BUILD IT., the USG/CGC logo, the design elements and colors, and related marks are trademarks of USG Corporation or its affiliates.

Safety First! Follow good safety/industrial hygiene practices during installation. Wear appropriate personal protective equipment. Read SDS and literature before specification and installation.

