

USG
Ceiling
Solutions

**USG COMPASSO™ ELITE
TRANSITIONS**
EXTRUDED ALUMINUM
TRANSITION TRIMS—STRAIGHT

INSTALLATION GUIDE



IT'S YOUR WORLD. BUILD IT.®

USG COMPÄSSO™ ELITE TRANSITIONS

EXTRUDED ALUMINUM TRANSITION TRIMS—STRAIGHT

USG Compasso™ Elite Transitions are extruded aluminum trims that are used to create fascias between ceilings that are on different horizontal planes. There are two types available: acoustical lower to acoustical upper and drywall lower to acoustical upper. Existing USG Compasso Elite splice plates and tee attachment clips are compatible with USG Compasso Elite Transitions. No other special hardware is required.

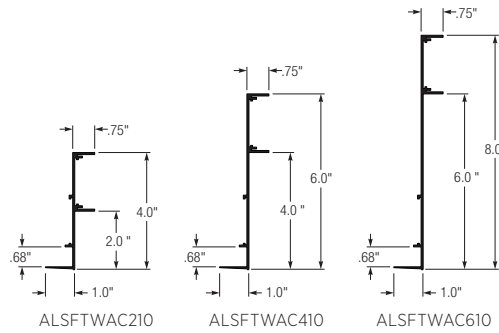
GENERAL

Before installing the USG Compasso Transitions Trims, check the materials to ensure that all parts are present and undamaged. Read all installation instructions first and familiarize yourself with the system components. This is important because parts will become permanently damaged if installed incorrectly.

COMPONENTS

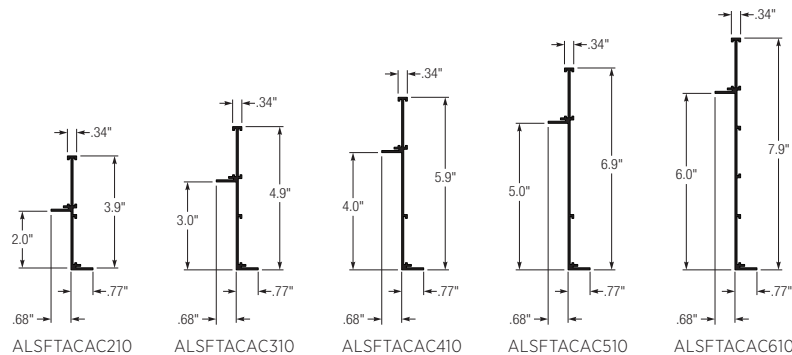
USG Compasso™ Elite DAS Transitions Trim – Drywall Lower to Acoustical Upper

Available in 2", 4" and 6" profiles. For use with 5/8" thick panels only.

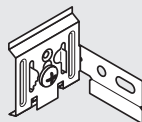


USG Compasso™ Elite AAS Transitions Trim – Acoustical Lower to Acoustical Upper

Available in 2", 3", 4", 5" and 6" profiles.

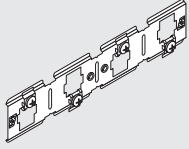


TEE ATTACHMENT CLIPS



- Part no. – 279542 for USG Celebration™ systems, 279543 for all other USG Donn® Brand acoustical suspension systems and USG Drywall Suspension Systems.
- Tee attachment clips are used to connect main and cross tee suspension members to the USG Compasso Elite Transitions Trims. A preinstalled set screw is used to lock the clip onto the transition trim.
- Two framing screws (#6 x 7/16", supplied by the installer) are required to attach the clip to the tees. One attachment clip is required at each tee that abuts the transition trim.

SPLICE PLATES



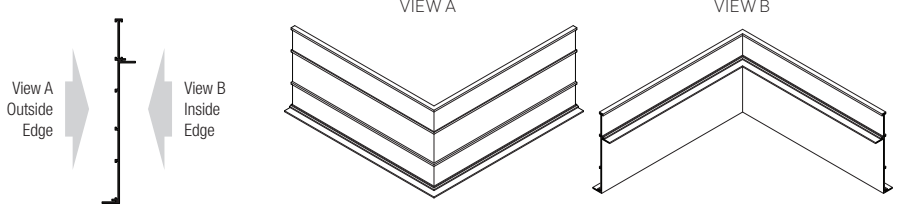
- Part no. – 279540. Splice plates are used to join USG Compässä Elite Transitions Trim sections together.
- The splice plates slide into the end of each channel boss, and preinstalled set screws are tightened to lock the plates in place and securely align the joints.
- See tables below for number of splice plates required per joint depending on the trim profile and size.

Splice Plates Required per Joint

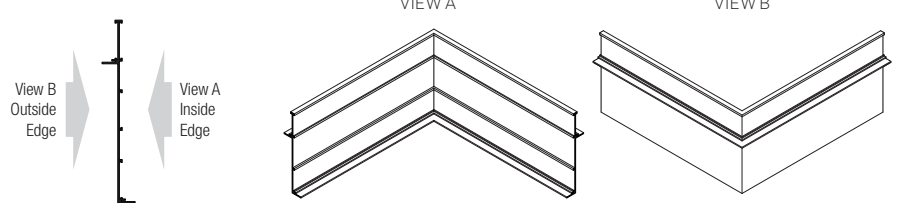
USG Compässä™ Elite AAS Soffit Trim	ALSFTACAC210	2
	ALSFTACAC310	2
	ALSFTACAC410	2
	ALSFTACAC510	2
	ALSFTACAC610	3
USG Compässä™ Elite DAS Soffit Trim	ALSFTDWAC210	2
	ALSFTDWAC410	2
	ALSFTDWAC610	2

FACTORY-WELDED INSIDE AND OUTSIDE CORNERS

Inside Corner Dimensions: 12 -3/4" x 12-3/4"



Outside Corner Dimensions: 12" x 12"



HANGER WIRES/SUPPORT CLIPS

- No. 12 gauge galvanized soft annealed for standard installations.
- Hanger wires must be installed according to all local codes and standards, which may vary depending on geographic location and seismic zones.
- All main tees must be supported with hanger wires at 4' o.c. max unless otherwise engineered by a design professional and approved by the local code jurisdiction.
- All main and cross tees must be supported by a hanger wire located within 8" from the USG Compässä Elite Transitions Trim.
- Some seismic zones may require that the USG Compässä Elite Transitions Trims be independently supported by the building structure. This can be accomplished by drilling holes at 4' o.c. at the top of the trim and installing hanger wires to the structure as normal.

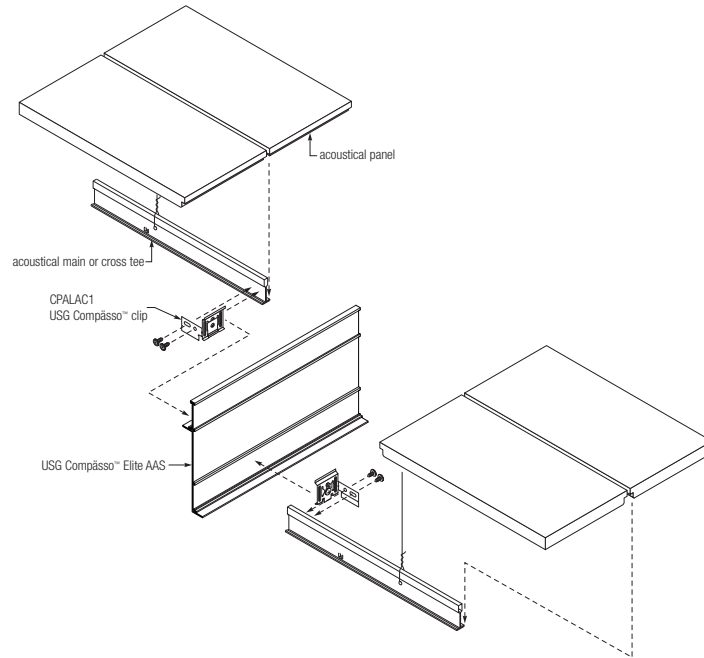
Note: Support clips that are designed specifically to attach main tees to carrying channels can be used in lieu of hanger wires.

GENERAL INSTALLATION GUIDELINES

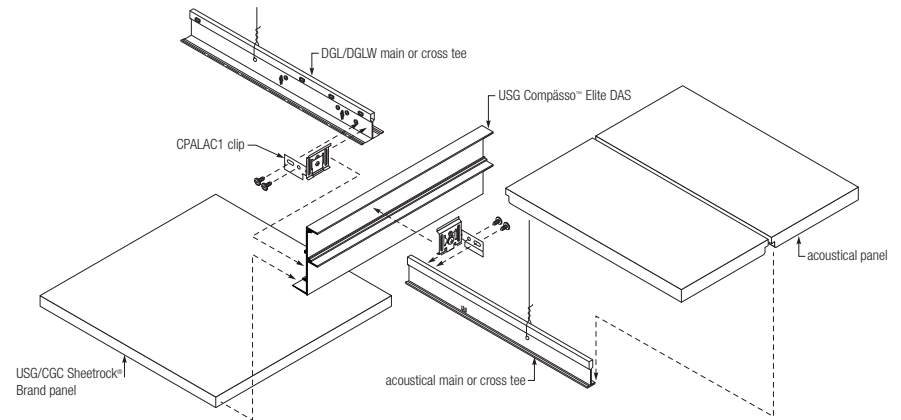
Install the suspension system according to the reflected ceiling plan. For USG Drywall Suspension Systems, do not install 5/8" USG Sheetrock® Brand gypsum panels until after the USG Compásso Elite Transitions Trim is installed.

- After the grid is installed, for each grid end that meets the transition trim, insert one tee attachment clip into the lower and upper bosses and secure the set screw. Leave enough tension for adjustment.

Exploded – USG Compásso™ Elite Acoustical to Acoustical Transition



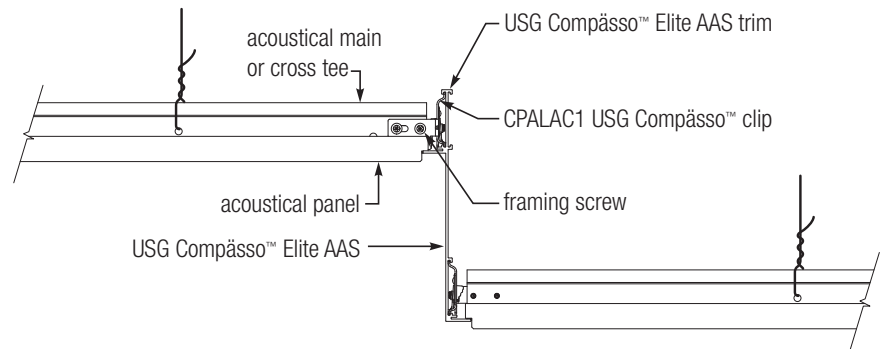
Exploded – USG Compásso™ Elite Drywall to Acoustical Transition



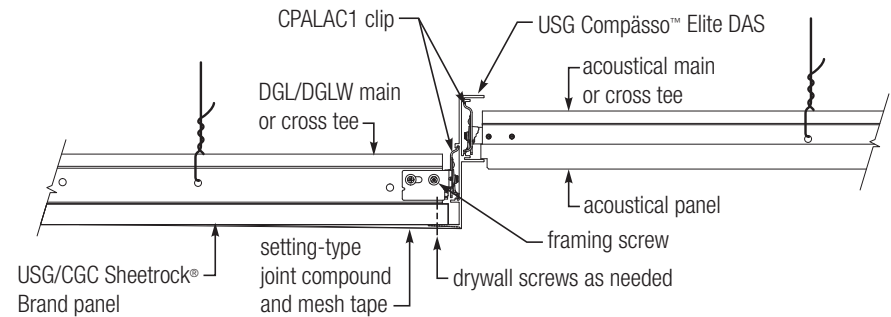
**GENERAL INSTALLATION GUIDELINES
CONT.**

- Secure a tee attachment clip to each grid member that will connect to the transition trim. Install one framing screw into the center of the slotted screw hole. Leave enough tension so the attachment clip can be adjusted if needed. Use a piece of 5/8" gypsum board as needed to maintain proper spacing between trim and grid when aligning the attachment clip.
- Install the splice plates by sliding them into the bosses at the end of each transition trim joint. Loosely tighten the set screws and align the system square and true.

USG Compásso™ Elite Acoustical to Acoustical Transition



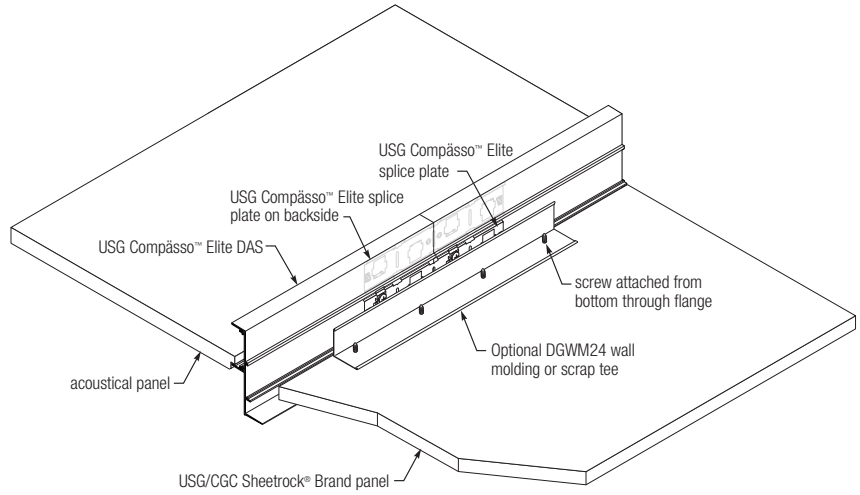
Elevation – USG Compásso™ Elite Drywall to Acoustical



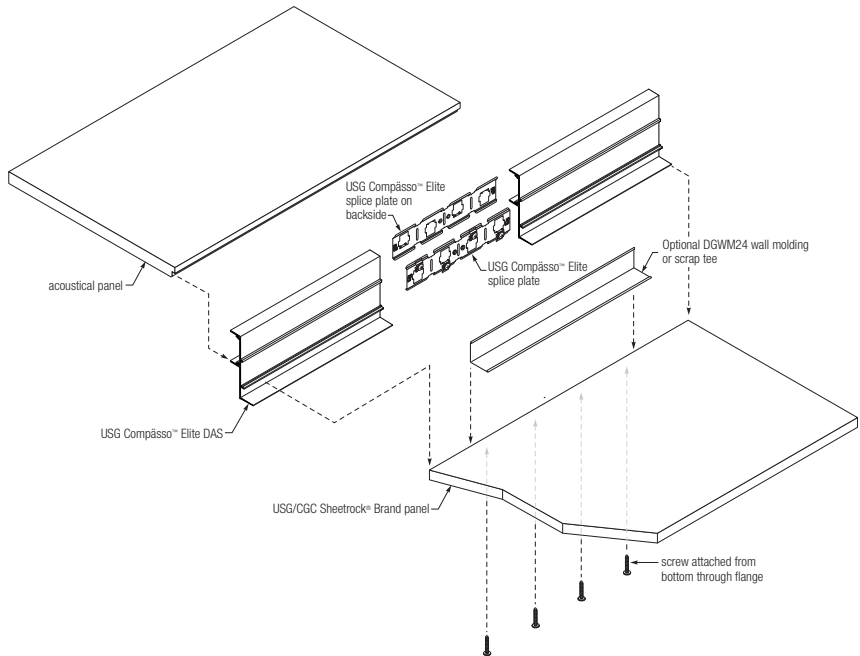
**GENERAL INSTALLATION GUIDELINES
CONT.**

- Optional: For USG Compässä Elite DAS trim splices, the joints can be reinforced by screw attaching a 12" nominal scrap tee or angle on top of the gypsum panels through the bottom flange at the splice location. While not required, this method helps minimize the possibility of cracking through the joint compound at the splice.

ISO Above – DAS Drywall Lower to Acoustical Upper Assembly Splice



ISO Exploded – DAS Drywall Lower to Acoustical Upper Assembly Splice



**GENERAL INSTALLATION GUIDELINES
CONT.**

**USG COMPÄSSO™ ELITE DAS TRIM
FINISHING RECOMMENDATIONS**

-
- After final alignment and the system is square and true, tighten all set screws and install a second framing screw into the tee attachment clips.
 - Install the gypsum panels as required.
-

- Important! To ensure proper joint treatment adhesion, lightly sand the taping flange before applying joint compound.
- Embed mesh tape over the taping flange with setting-type joint compound such as USG Sheetrock® Brand Easy Sand™ Lightweight Setting-Type Joint Compounds. Setting-type joint compound is recommended for added strength and less shrinkage.
- Apply a second coat of either ready-mixed or setting-type joint compound.
- Apply a third coat as needed.
- For level 5 finishes, after all joints have been taped and finished, apply a thin skim coat of joint compound and drywall primer over the entire gypsum panel surface, or use a product specifically designed for this purpose such as USG Sheetrock® Brand Tuff-Hide™ Primer-Surfacer.

PRODUCT INFORMATION

For the most up-to-date product information, visit usg.com or cgcinc.com

CUSTOMER SERVICE

USG: 800 950-3839

CGC: 800 387-2690

TECHNICAL SERVICE

800 USG.4YOU (874-4968)

WEBSITES

usg.com

cgcinc.com

PRODUCT LITERATURE

Data Sheet AC3325

LIMITATIONS

Interior applications only

NOTICE

We shall not be liable for incidental and consequential damages, directly or indirectly sustained, nor for any loss caused by application of these goods not in accordance with current printed instructions or for other than the intended use. Our liability is expressly limited to replacement of defective goods. Any claim shall be deemed waived unless made in writing to us within thirty (30) days from date it was or reasonably should have been discovered.

SAFETY FIRST!

Follow good safety/industrial hygiene practices during installation. Wear appropriate personal protective equipment. Read SDS and literature before specification and installation.