

USG COMPÄSSO™ ELITE

EXTRUDED ALUMINUM PERIMETER TRIMS

USG Compässo™ Elite Perimeter Trim with USG Halcyon™ Acoustical Panels/USG Donn® Brand Fineline® DXF™ Acoustical Suspension System

TO ORDER SAMPLES, GO TO USG.COM OR CGCINC.COM

POWDER-COATED METAL



Flat White
050



Silver Satin
002



Flat Black
205



Powder
White 3767

PAINTED METAL



Coordinating
Blanco Mat®
4245

CUSTOM COLORS AVAILABLE



FEATURES AND BENEFITS

- Creates free-form ceiling islands or fascias to define space and provide visual impact.
- Available in variable trim heights.
- Made to order; arrives on-site pre-engineered.
- Strong, durable and long-lasting extruded aluminum construction.
- Compässo™ Elite for DXI™ available (straight only).
- Compässo™ Elite for DXI™ is recommended for use with full-size ceiling panels only.

APPLICATIONS

- Interior Applications
- Pods, Islands, and Clouds
- Sloped Ceilings
- Custom Curved Radius and Length
- Quick Ship Straights
- New Construction or Renovation

USG COMPASSO™ ELITE

EXTRUDED ALUMINUM PERIMETER TRIMS

ORDER SAMPLES/LITERATURE
 USG: usg.com or samplitt@usg.com
 CGC: contact Sales Representative

TECHNICAL SERVICES
 800.USG.4YOU (874-4968)

FOR MOST UP-TO-DATE TECHNICAL INFORMATION AND LEED REPORT TOOL
 usgdesignstudio.com
 cgcdesignstudio.com
 usg.ecomedes.com

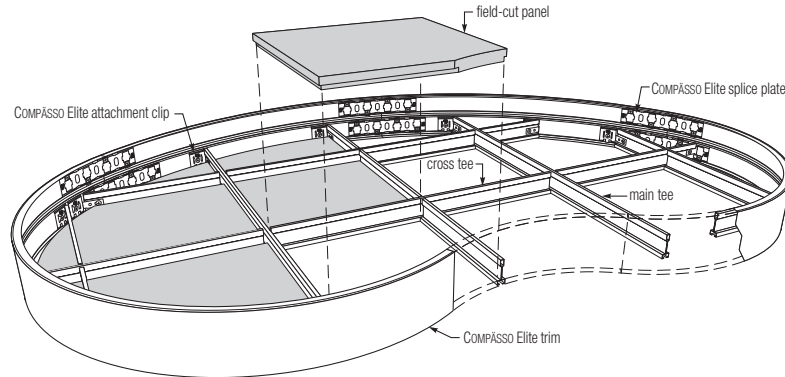
Declare. Declare® Labels on select finishes, see usg.ecomedes.com for more details and documentation.

PRODUCT INFORMATION

Perspective

Materials	Finishes
Extruded Aluminum	Painted, powder coated

USG Compasso™ Elite



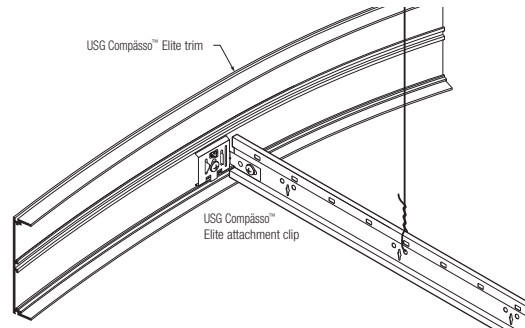
USG Compasso™ Elite and USG Compasso™ Elite for DXI™

2"	4"	6"	8"	10"

USG Compasso™ Elite for DXI™ available in 4" and 6", straight only.

Attachment Clip

USG Compasso™ Elite



Low Emissions (VOC)

Certified low emitting performance for select finishes, meets CDPH 01350 v1.2 - 2017. Certificates of Compliance for Low VOC Emissions are available on usg.com and at usg.ecomedes.com.

High Recycled Content

USG classifies High Recycled Content as greater than 50%. Methodology of calculation based on FTC guidelines.

PHYSICAL DATA

Additional Documents and Resources

System Guide: IC400
 Warranty: SC2102
 Handling Guide: IC518
 Installation Guide: IC464
 Trim Systems Design Guide

Online Tools

usgdesignstudio.com, cgcdesignstudio.com or usg.ecomedes.com

Recycled Content

See the USG Sustainability Tool on usgdesignstudio.com or cgcdesignstudio.com.

- Minimum radius is 18".

Notice

The information in this document is subject to change without notice. CGC Inc. or USG Corp. assumes no responsibility for any errors that may inadvertently appear in this document.

IC309/rev. 6-25
 © 2025 USG Corporation and/or its affiliates. All rights reserved. Printed in USA

Manufactured by USG Interiors, LLC
 550 West Adams Street
 Chicago, IL 60661

The trademarks USG, CGC, COMPASSO, BLANCO MAT, DONN, DXI, DXF, FINELINE, HALCYON, IT'S YOUR WORLD. BUILD IT., the USG/CGC logo, the design elements and colors, and related marks are trademarks of USG Corporation or its affiliates.

Safety First! Follow good safety/industrial hygiene practices during installation. Wear appropriate personal protective equipment. Read SDS and literature before specification and installation.

