

USG
Ceiling
Solutions

UNOPPOSED TEE ATTACHMENT CLIP (UTAC)

INSTALLATION GUIDE

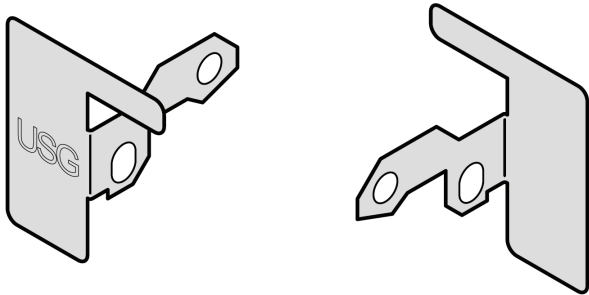


IT'S YOUR WORLD. BUILD IT.™

UNOPPOSED TEE ATTACHMENT CLIP (UTAC) INSTALLATION GUIDE

DESCRIPTION

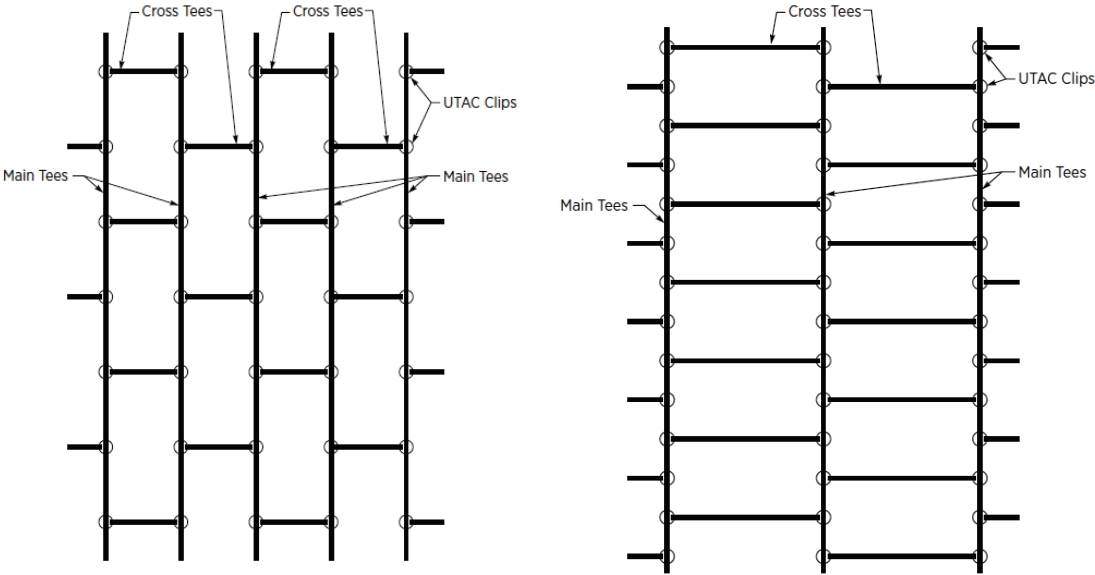
The Unopposed Cross Tee Clip is used to create code compliant cross tee connections when a cross tee is installed in a main tee without another cross tee directly opposite. The UTAC complies with ASTM E580 for category C, and D-F seismic installations. Requires a pop rivet for installation.



ADVANTAGES

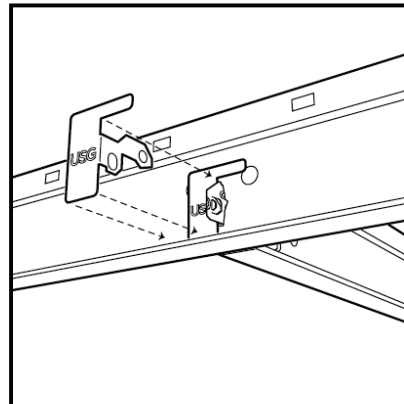
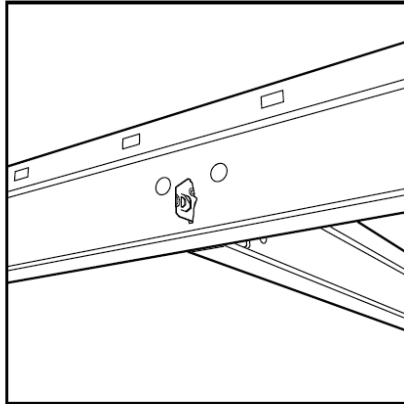
- Useful for running bond and other off module layouts
- Complies with ASTM E580 for category C, and D-F installations
- Helps keep cross tees square during installation
- Won't interfere with panel installation or removal
- Works with all Donn brand suspension systems
- Ensures the Donn suspension system warranty will apply

Typical Running Bond Patterns

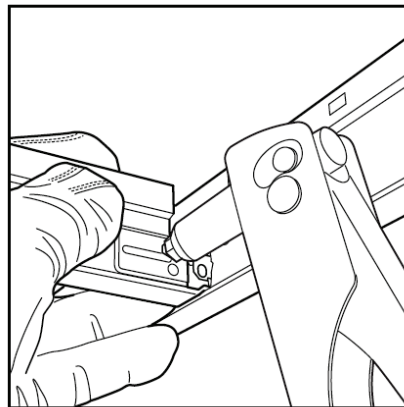
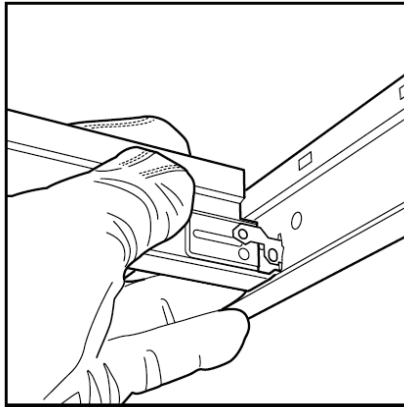


INSTALLATION

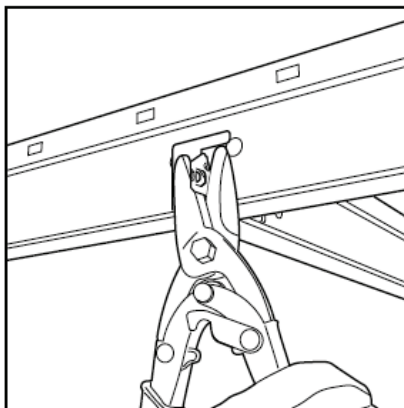
At the cross tee locations without an opposite cross tee, slide the UTAC clip in to the cross tee route on the **left side** of the existing cross tee clip.



On the cross tee side of the main tee, install a pop rivet through the upper cross tee clip rivet hole and the hole in the UTAC clip. Steel shank pop rivets must be used for category D-F installations.



Using snips, trim the cross tee clip as required in order to minimize interference with ceiling panel and fixture installation.



PRODUCT INFORMATION

See usg.com for the most up-to-date product information.

CUSTOMER SERVICE

USG 800 950-3839
CGC 800 387-2690

TECHNICAL SERVICE

800 USG.4YOU (874-4968)

WEBSITES

usg.com
cgcinc.com
usgdesignstudio.com
cgcdesignstudio.com

PRODUCT INFORMATION

See usg.com or cgcinc.com for the most up-to-date product information.

INSTALLATION

Must be installed in compliance with ASTM C363, ASTM E580, CISCA and standard industry practices, with all applicable code requirements. Alternative assemblies and installation methods may be utilized when approved by the Authority Having Jurisdiction. USG recommends checking with the Authority Having Jurisdiction prior to designing and installing a suspended ceiling system.

CODE COMPLIANCE

The information presented is correct to the best of our knowledge at the date of issuance.

NOTICE

We shall not be liable for incidental and consequential damages, directly or indirectly sustained, nor for any loss caused by application of these products not in accord with current instructions or for other than the intended use. Our liability is expressly limited to replacement of defective products except where provided otherwise in a product specific warranty.

TRADEMARKS

The trademarks USG, DONN, IT'S YOUR WORLD, BUILD IT., the USG logo, the design elements and colors, and related marks are trademarks of USG Corporation or its affiliates.

SAFETY FIRST!

Follow good safety and industrial hygiene practices during handling and installing all products and systems. Take necessary precautions and wear the appropriate personal protective equipment as needed. Read material safety data sheets and related literature on products before specification and/or installation.

800 USG.4YOU
800 (874-4968)
usg.com

Manufactured for
United States Gypsum Company
550 West Adams Street
Chicago, IL 60661

AC3330-USA-ENG/rev. 4-19
© 2019 USG Corporation and/or
its affiliates.
All rights reserved.
Printed in U.S.A.