

# USG ENSEMBLE® ACOUSTICAL DRYWALL CEILING—SUSPENDED SYSTEM

SEAMLESS APPEARANCE WITH EXCELLENT ACOUSTIC PERFORMANCE



TO ORDER SAMPLES, GO TO [USG.COM](http://USG.COM) OR [CGCINC.COM](http://CGCINC.COM)

#### STANDARD COLOR



Flat White  
050

#### CUSTOM COLORS AVAILABLE



Unlimited  
Color Options

#### FEATURES AND BENEFITS

- Monolithic appearance with fine finish in standard white and custom colors.
- System installed on economical, suspended USG Drywall T-Bar grid.
- Perforated USG Sheetrock® Brand Ensemble® Four-Sided Taper™ Panels, USG High-NRC Backer Panels and acoustically transparent USG Ensemble™ Spray-Applied Finish optimize sound absorption - NRC 0.80, CAC 40.
- Installs and finishes using traditional drywall techniques and USG Ensemble™ Spray-Applied Finish.
- Up to 50 % lower installed cost versus acoustical plaster systems.
- Backed by USG's advanced design and engineering, certified installer and sales support network, and full system warranty.

#### APPLICATIONS

- Lobbies
- Atria
- Concourses
- Museums
- Performing arts spaces
- Corporate interiors
- Board rooms/  
executive offices
- Classrooms/  
higher education
- Hospitality
- Restaurants



# USG ENSEMBLE® ACOUSTICAL DRYWALL CEILING—SUSPENDED SYSTEM

**ORDER SAMPLES/LITERATURE**  
 USG: usg.com or samplif@usg.com  
 CGC: contact Sales Representative

**TECHNICAL SERVICES**  
 800 USG.4YOU (874-4968)

**TECHNICAL INFORMATION**  
 usg.com/ensemble

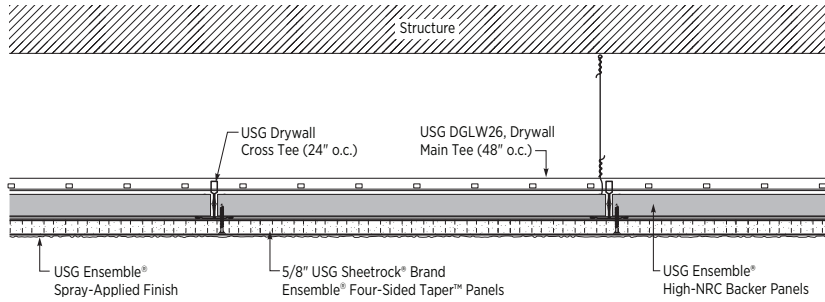


PRODUCT CERTIFIED FOR LOW CHEMICAL EMISSIONS:  
 UL.COM/GG  
 UL 2818

## SYSTEM DETAILS



**Declare.**



## PERFORMANCE DATA

Base Panel	Backer Panel	NRC	CAC	LR	Fire Performance
USG Sheetrock® Brand Ensemble™ Four-Sided Taper™ Panels	1" USG Ensemble® High-NRC	0.80	40	.85	Class A

## SYSTEM COMPONENTS

Products	Item Number	Sizes	Packaging	Quantity	Notes
USG Drywall Suspension Main Tees	<b>DGLW26</b>	12'	16-pc. carton	192 LF/ctn	Main tees 48" o.c.
USG Drywall Suspension Cross Tees	<b>DGLW424</b>	4'	48-pc. carton	192 LF/ctn	Cross tees 24" o.c.
5/8" USG Sheetrock® Brand Ensemble™ Four-Sided Taper™ Panels	<b>ENSPNL96, ENSPNL120</b>	5/8" x 4' x 8', 5/8" x 4' x 10'	26-pc. unit	8'-832 sq. ft./unit 10'-1040 sq. ft./unit	Gypsum panel highly engineered to perform like an acoustical ceiling panel
1" USG Ensemble® High-NRC Backer Panels	<b>ENSHINRC</b>	1" x 23.5" x 47.75" 1" x 15.5" x 47.75"	4-pc. unit	31.3 sq. ft./carton 21.33 sq. ft./carton	Acoustical base mat for High-NRC/High-CAC
USG Sheetrock® Brand Paper Joint Tape	—	250' roll	20 rolls per carton	5,000 LF/ctn	Specially formulated paper tape
USG Sheetrock® Brand All Purpose Joint Compound	<b>USAPJC</b>	4.5-gal. pail	Single pail 48-pail pallet	216 gal./pallet	Coverage 100 sq. ft./gal. 450 sq. ft./4.5-gal. pail
USG Sheetrock® Brand Ensemble™ Ceiling Compound	<b>ENSCJC</b>	4.5-gal. pail	Single pail 48-pail pallet	216 gal./pallet	Coverage 106 sq. ft./gal. 480 sq. ft./4.5-gal. pail
USG Ensemble™ Spray-Applied Finish, White, Custom Colors	<b>ENSSPRAF</b>	4.5-gal. pail	Single pail 48-pail pallet	216 gal./pallet	Coverage 80-100 sq. ft./4.5-gal. pail

### Custom Color Matching - Specifier to provide a color number from one of the following:

- Benjamin Moore® Recommended Instructions
  - Sherwin-Williams®
  - PANTONE®
1. Minimum order quantity for USG Ensemble™ Spray-Applied Finish is 8 pails.
  2. Request customer color samples through your local USG Ensemble® sales representative.
  3. Allow three weeks to receive custom color sample.
  4. Once the color sample is approved and the order is placed by the purchaser, allow three weeks for the custom-colored USG Ensemble™ Spray-Applied Finish to ship with the USG Ensemble® Acoustical Drywall order.
  5. The USG Ensemble™ Spray-Applied Finish is similar to flat finish paint in sheen. Different sheens are not offered at this time.
  6. Certain very deep tone colors or certain very bright colors may not be possible to match. USG will be able to determine at the time of the custom color sample request.

## USG ENSEMBLE® ACOUSTICAL DRYWALL COLOR PROGRAM



## PHYSICAL DATA

### Design Guide

Download SC5075 at usg.com/ensemble

### ASTM E1264 Classification

Type XX - Gypsum, Pattern G  
 Fire Class A

### Weight

Total System weight 3.2 lb/ft<sup>2</sup>

### Maintenance

Download SC5048 at usg.com/ensemble

### ASTM E84 and CAN/ULC S102 surface-burning characteristics

Class A  
 Flame Spread: 25 or less  
 Smoke developed: 50 or less

### Limitations

1. For interior ceilings only.
2. Not for use in areas subject to continuous high-heat and/or humid conditions.
3. The Ensemble® system shown above not for use in return-air plenums. For active return-air plenum ceiling, use Ensemble® Direct Mount Z-Furring System on a suspended drywall ceiling. See data sheet (SC3237 AND SC5443).
4. Return air ducts shall be installed according to ASHRAE standards and guidelines.
5. Install according to Section 5 Environmental Conditions listed in ASTM C840.
6. In order to ensure installed performance, component substitutions should not be permitted.

**Notice**  
 The information in this document is subject to change without notice. CGC Inc. or USG Corp. assumes no responsibility for any errors that may inadvertently appear in this document.

SC2791/rev. 6-22  
 © 2022 USG Corporation and/or its affiliates. All rights reserved. Printed in USA

Manufactured by USG Interiors, LLC  
 550 West Adams Street  
 Chicago, IL 60661

The trademarks USG, CGC, ENSEMBLE, FOUR-SIDE TAPER, SHEETROCK, IT'S YOUR WORLD. BUILD IT., the USG and CGC logos, the design elements and colors, and related marks are trademarks of USG Corporation or its affiliates.

Declare is a trademark of International Living Future Institute. The trademark BENJAMIN MOORE is a registered trademark of Benjamin Moore & Co. The trademark SHERWIN-WILLIAMS is a registered trademark of The Sherwin-Williams Company. The trademark PANTONE is the property of Pantone LLC.

Safety First! Follow good safety/industrial hygiene practices during installation. Wear appropriate personal protective equipment. Read SDS and literature before specification and installation.

