

# USG ENSEMBLE™ ACOUSTICAL DRYWALL CEILING

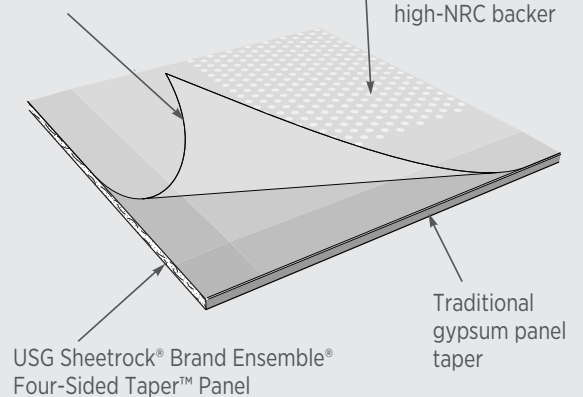
NEW SYSTEM ENHANCEMENTS TO IMPROVE PRODUCTIVITY



## USG SHEETROCK® BRAND ENSEMBLE® FOUR-SIDED TAPER™ PANEL DETAIL

Acoustically transparent  
scrim covers perforations  
and enables finishing similar  
to standard gypsum board

Perforations allow  
sound through  
panel to be  
absorbed by  
high-NRC backer



## USG ENSEMBLE® ACOUSTICAL DRYWALL SYSTEM

New system enhancements **reduce complexity** and **lower installed cost**

- **New 10 ft. Panels and High-NRC Backer Panels**  
Reduces material costs and labor
- **New USG Sheetrock® Brand Ensemble Four-Sided Taper™ Panels**  
Eliminates Butt Joints and reduce taping and sanding labor by 20%
- **New Standard Framing (DGLW Mains & Cross Tees)**  
Reduces complexity and eliminates non-standard components  
(ISB109, ISBAC, Fiberock® end-joint backer)
- **New Customer Experience**  
Online estimating system simplifies material take-offs and ordering  
([usg.com/ensemble-estimator](http://usg.com/ensemble-estimator))

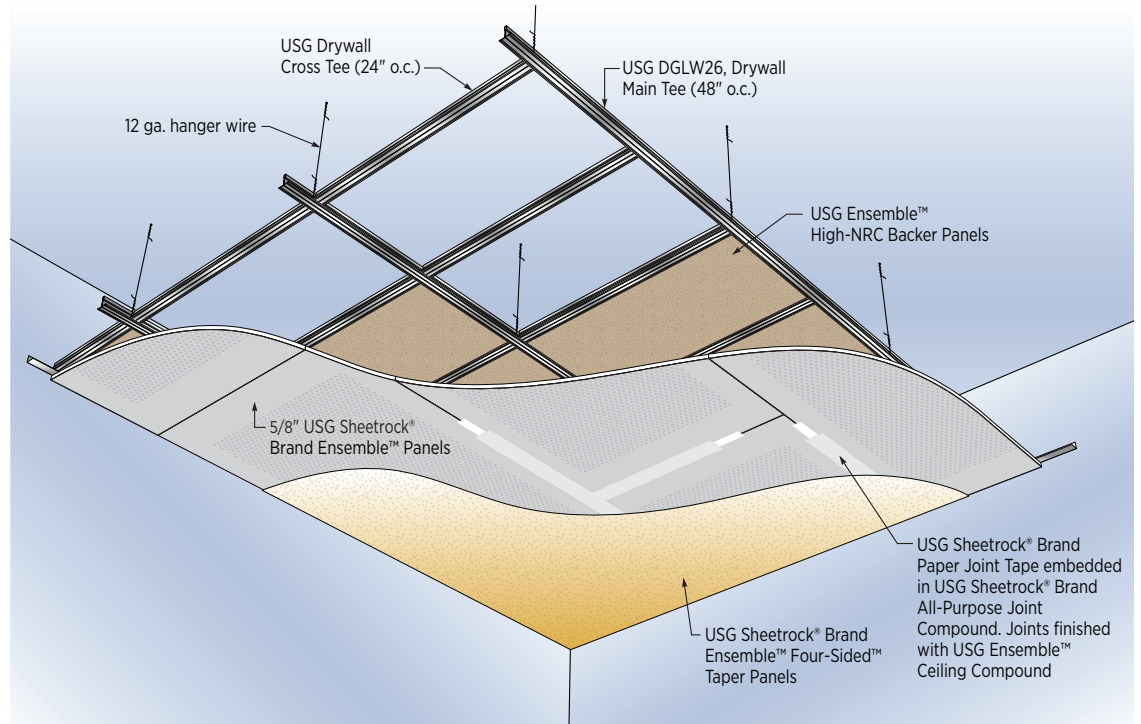
**Lead Time:** 1 Week FOB Walworth, WI

# USG ENSEMBLE® ACOUSTICAL DRYWALL CEILING

**ORDERSAMPLES/LITERATURE**  
 USG: [samplif@usg.com](mailto:samplif@usg.com)  
 fax: 888 874-2348 | [usg.com](http://usg.com)  
 CGC: contact Sales Representative

**TECHNICAL SERVICES**  
 800 USG.4YOU (874-4968)

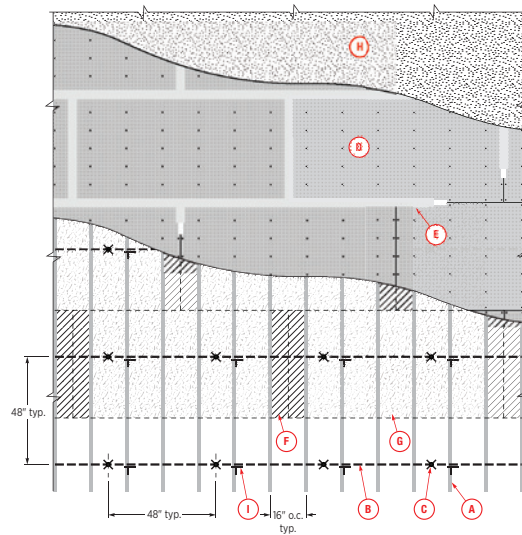
**TECHNICAL INFORMATION**  
[usg.com/ensemble](http://usg.com/ensemble)



**USG Sheetrock® Brand Ensemble® Four-Sided Taper™ Panels With Standard Framing**

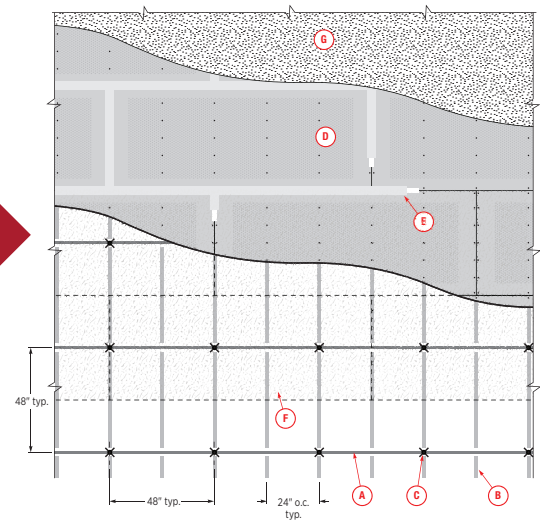
## NEW SYSTEM: REDUCES MATERIALS AND INSTALLATION TIME

### OLD SYSTEM



- (A)** DGLW26 main tee
- (B)** IISB109 Indexed Support Bar
- (C)** 12-gauge hanger wire
- (D)** Sheetrock Ensemble Perforated Panels
- (E)** joints
- (F)** 5/8" Fiberock Panels (used at floating end joints)
- (G)** Ensemble Backer Panel
- (H)** Ensemble Spray Applied Finish
- (I)** ISBAC Attachment Clip 4" OC

### NEW SYSTEM



- (A)** DGLW26 main tee
- (B)** cross tee
- (C)** 12-gauge hanger wire
- (D)** USG Sheetrock Brand Ensemble™ Panels
- (E)** joints
- (F)** USG Ensemble™ High-NRC Backer Panels
- (G)** USG Ensemble™ Spray-Applied Finish

- Non standard components eliminated
- Reduces finish labor by 20%
- New 24" module lowers material cost

**Notice**  
 The information in this document is subject to change without notice. CGC Inc. or USG Corp. assumes no responsibility for any errors that may inadvertently appear in this document.

**SC3272/rev. 1-20**  
 © 2020 USG Corporation and/or its affiliates. All rights reserved. Printed in USA

Manufactured by USG Interiors, LLC  
 550 West Adams Street  
 Chicago, IL 60661

The trademarks USG, CGC, ENSEMBLE, FIBEROCK, FOUR-SIDED TAPER, SHEETROCK, IT'S YOUR WORLD. BUILD IT., the USG and CGC logos, the design elements and colors, and related marks are trademarks of USG Corporation or its affiliates.

Safety First! Follow good safety/industrial hygiene practices during installation. Wear appropriate personal protective equipment. Read SDS and literature before specification and installation.

Link to Material Estimator:  
[usg.com/ensemble-estimator](http://usg.com/ensemble-estimator)

