

USG CLEANROOM ACOUSTICAL CEILING

INSTALLATION GUIDE



The following products have been designed and tested to meet International Standards ISO14644. Developing an assembly with the instructions below will make your cleanroom ceiling system compliant with ISO 14644-1 Class 5-8.

USG CEILING PANELS

USG Sheetrock® Brand Lay-In Ceiling Panels Clean Room™

USG Clean Room™ Class 100 (ISO 5) Panels

USG Clean Room™ Class 10M-100M (ISO 7) Panels

USG Acoustical Suspension Systems

USG Donn® Brand AXCE™

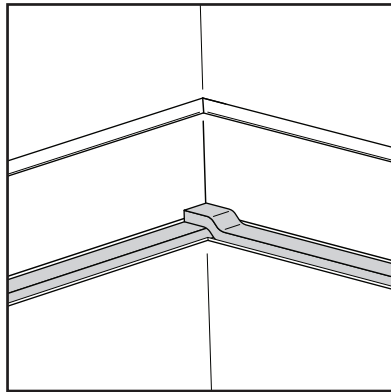
USG Donn® Brand DXCE™

USG Donn® Brand DXACE™

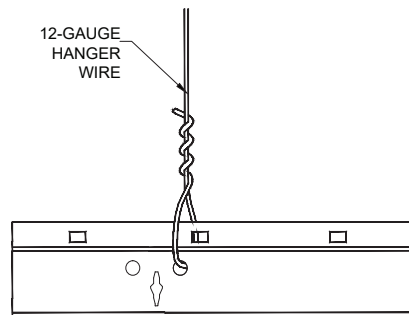
USG Donn® Brand DXWCE™

For more information on Cleanroom definitions and testing, please review the USG Cleanroom Ceilings Guide - IC759

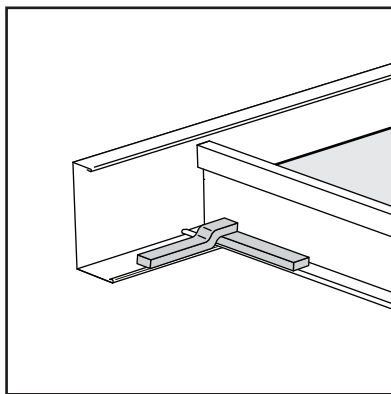
STANDARD CLEAN ROOM ISO 5-8 CEILING INSTALLATION STEPS



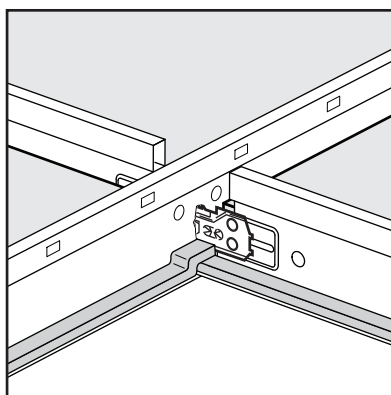
1. Install Gasketed Channel Molding along perimeter, spacing screws every 2 ft. on center.
 - a. Miter the channel at intersection of walls
 - b. Cut gasket and overlap tape joints to prevent dust and loss of air pressure to the surrounding area



2. Install hanger wires.
 - a. Install lag screws at 4 ft. intervals along the main-tee, or other designated layout spacing
 - b. Attach a hanger wire to each screw and cut 6 in. below the string line.
 - c. Bend each hanger wire to a 90-degree angle 3/4 in. above the string line.

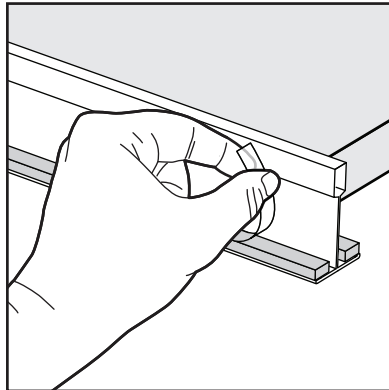


3. Install Gasketed Main Tees per prescribed layout needs
 - a. Cut channel gasket at perimeter intersection and overlap tee gasket

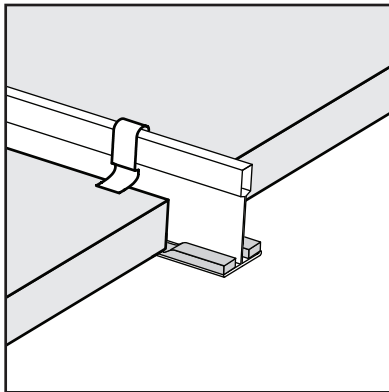


4. Install Gasketed Cross Tees into ceiling system
 - a. Insert tabs into slots in the Main Tee. Where two cross tees occupy the same slot, insert the second Cross Tee to the left of the first Cross Tee.
 - b. At intersection of Main Tee, overlap Cross Tee gasket with perpendicular Main Tee Gasket

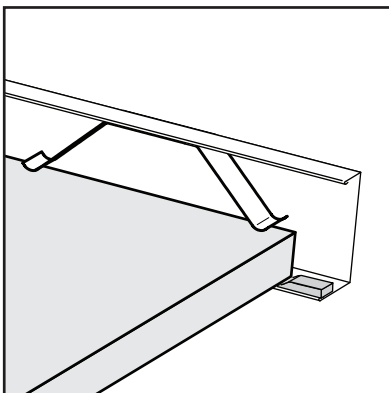
STANDARD CLEAN ROOM ISO 5-8 CEILING INSTALLATION STEPS (CONTINUED)



5. Remove gasket protective strip on face of all flanges before panel installation



6. Install USG Clean Room Ceiling Panels
- Ensure panel is compressing gasket flange on all four sides
 - To keep positive pressure within ceiling system, hold down clips (L15 or L15CE) should be placed within 3" of each corner panel
 - For a 2' x 4' system install an additional L15 hold down clip should be installed at the center of the 4' side.



7. Install perimeter USG Clean Room panels
- Ensure panel is compressing gasket flange on all four sides
 - Border panels shall have a C-8 hold down clip install within 3" of each panel corner
 - For a 2' x 4' system install, an additional C-8 Hold Down clip should be installed at the center of the 4' side.
 - Use square edge panels for all lay-in field cut perimeter panels

Additional Steps if Needed:

- Field cut edges of ceiling panels must be sealed with a white latex paint.
- Take care not to scratch or perforate the sealed surfaces of the panel which could lead to shedding of particulate from the core of the panel.

Notice

The information in this document is subject to change without notice. CGC Inc. or USG Corp. assumes no responsibility for any errors that may inadvertently appear in this document.

AC5421/rev. 8-20

© 2020 USG Corporation and/or its affiliates. All rights reserved. Printed in U.S.A.

Manufactured by
USG Interiors, LLC
550 West Adams Street
Chicago, IL 60661

The trademarks USG, CGC, DONN, DX, DXL, FIRECODE, RADAR, IT'S YOUR WORLD. BUILD IT., the USG/CGC logo, the design elements and colors, and related marks are trademarks of USG Corporation or its affiliates.

Safety First! Follow good safety/industrial hygiene practices during installation. Wear appropriate personal protective equipment. Read SDS and literature before specification and installation.