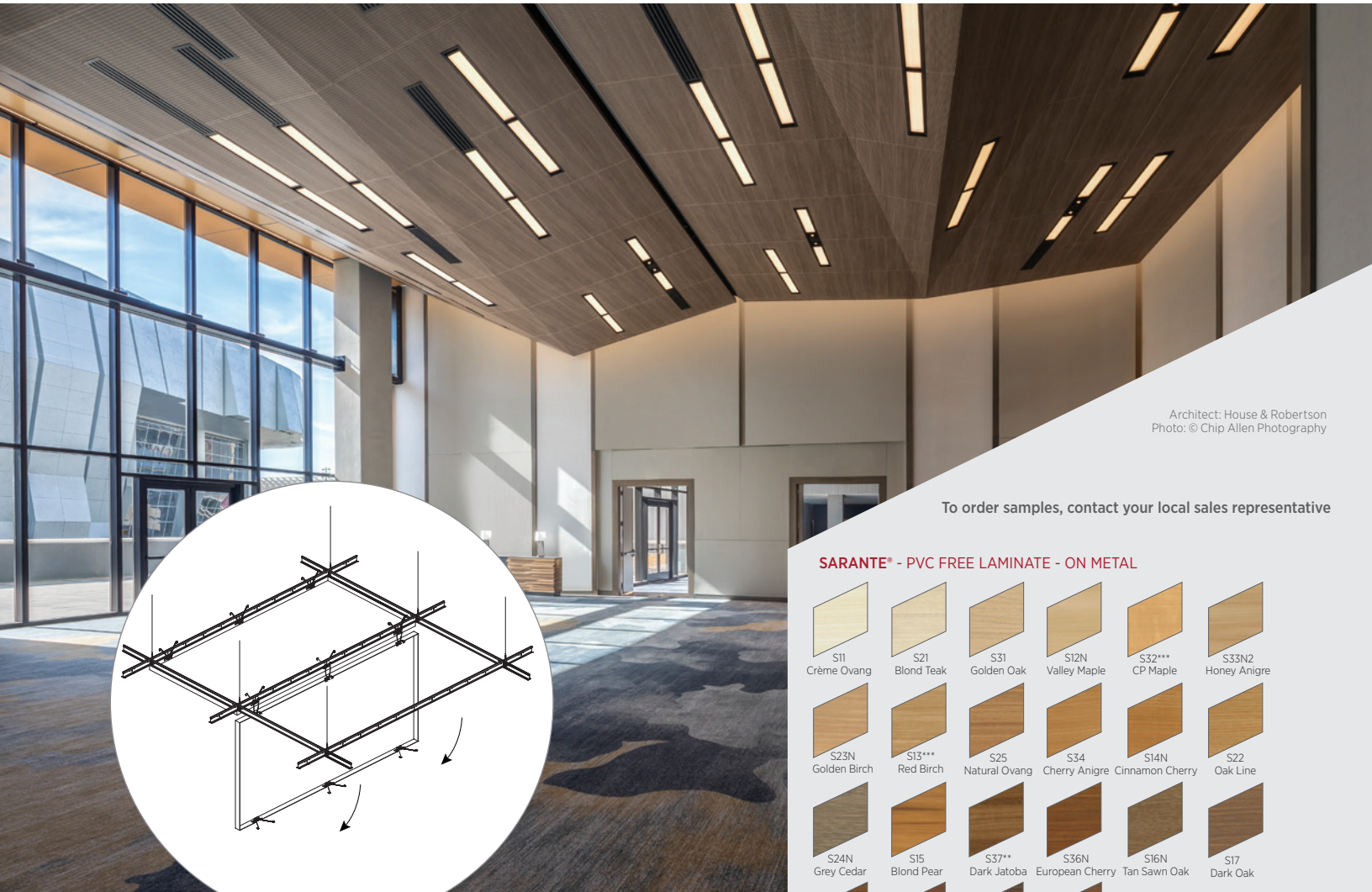


# USG Ceilings Plus® ILLUSIONS®

## FORMED METAL PANEL SYSTEM



Architect: House & Robertson  
Photo: © Chip Allen Photography

To order samples, contact your local sales representative



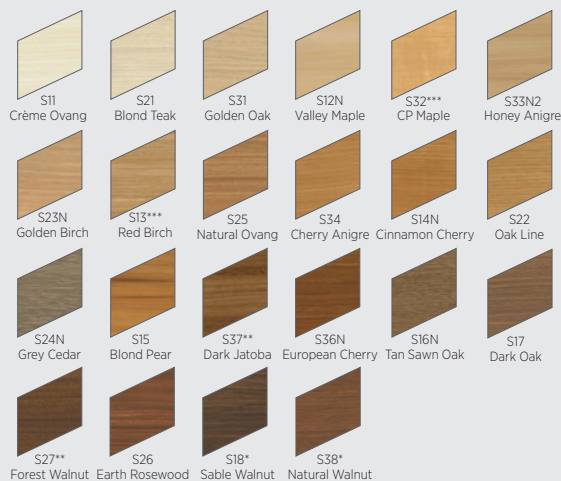
### FEATURES AND BENEFITS

- Fully accessible system allowing access at every panel location.
- Third party integration of diffusers, lights, speakers, sprinklers, wifi, etc (independently suspended).
- Acoustical performance utilizing perforations and sound absorbing materials including Acoustibond and Ultrasorb.
- Standard and customizable perforations are available in to create visual patterns and acoustic performance.
- Design flexibility with panel sizes and layout options.
- Varied mounting arrangements are available to respond to any installation requirements or conditions.
- Class A per ASTM E84, Zero Flame Spread, non-combustible aluminum core Fire Classification.

### APPLICATIONS

- Interior and Exterior Applications
- Pods, Islands, and Clouds
- Wall to Wall Ceilings
- Sloped Ceilings
- Curved Ceilings
- New Construction
- Downward Accessible
- Concealed Grid

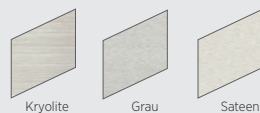
### SARANTE® - PVC FREE LAMINATE - ON METAL



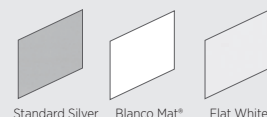
### ARBOREAL® - REAL WOOD VENEER - INTERIOR ONLY - ON METAL



### ANODIZED - ON METAL



### PAINTED - ON METAL



# USG Ceilings Plus® ILLUSIONS®

## FORMED METAL PANEL SYSTEM

**ORDER SAMPLES/LITERATURE**  
Contact your local sales rep.

**FOR MOST UP-TO-DATE  
TECHNICAL INFORMATION  
AND LEED REPORT TOOL**  
Contact your local sales rep.

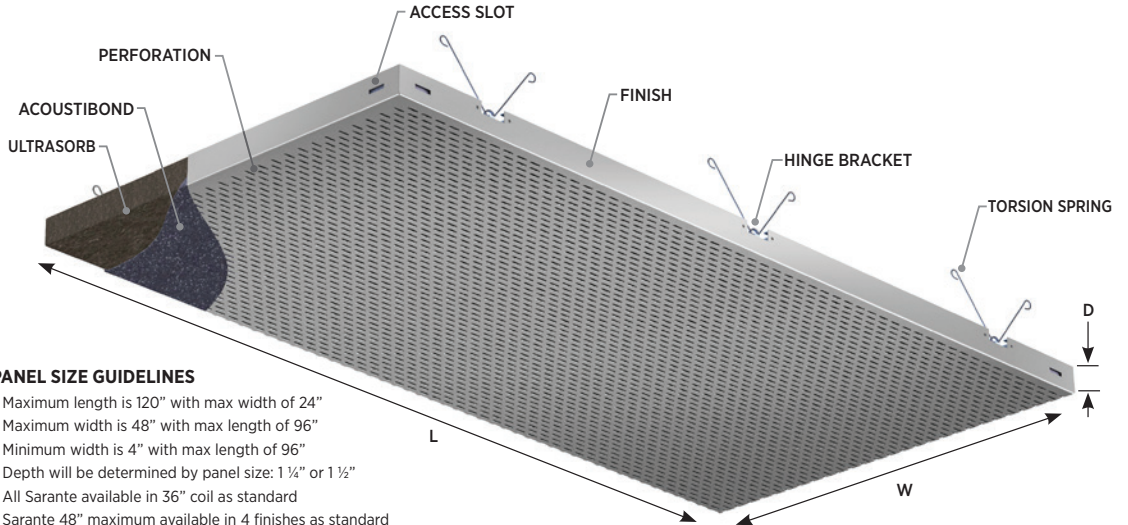
**TECHNICAL SERVICES**  
Contact your local sales rep.

**Declare.** Declare® Labels on select finishes, see usg.com for more details and documentation.

### PERFORMANCE OPTIONS

| Application        | Grid Options            | Finish                                  | Accessibility | Item No. | Acoustics              | NRC   | Perforation      | Fire Rating                    | Recycled Content            | Maintenance                     |
|--------------------|-------------------------|---|---------------|----------|------------------------|---|------------------|--------------------------------|-----------------------------|---------------------------------|
| Interior, Exterior | Torsion Spring Tee Grid | Arboreal*, Sarante**, Anodized, Painted | Full Downward | ---      | Acoustibond, Ultrasorb | 0.70 - 0.95 (Requires perforations and acoustic backfill) | Standard, Custom | Class A, ASTM E84 CAN/ULC S102 | Up to 90%, finish dependent | See architectural specification |

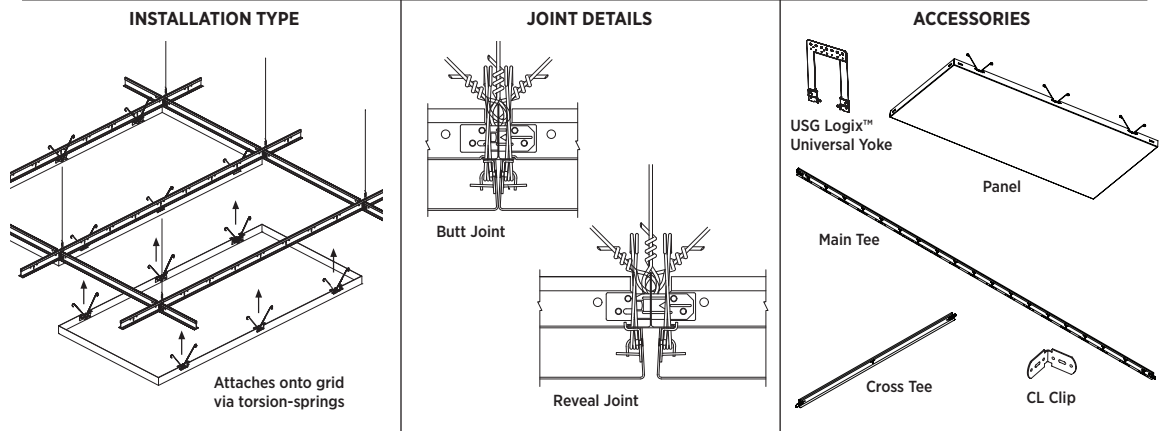
### DESIGN PARAMETERS



#### PANEL SIZE GUIDELINES

- Maximum length is 120" with max width of 24"
- Maximum width is 48" with max length of 96"
- Minimum width is 4" with max length of 96"
- Depth will be determined by panel size: 1 1/4" or 1 1/2"
- All Sarante available in 36" coil as standard
- Sarante 48" maximum available in 4 finishes as standard
- Consult factory for custom panel size possibilities

### DETAIL & ACCESSORIES



#### Low Emissions (VOC)

CDPH 01350 v1.2-2017 compliance on select finishes, see usg.com for more details and documentation.

### PHYSICAL DATA

#### Product Literature

Please contact your local sales representative for the following documents:

- ◆ Architectural Specification
- ◆ Installation Manual: IC5488
- ◆ Cleaning Instructions: IC518
- ◆ Warranty: SC2102
- ◆ System Guide

#### Footnotes

\*Arboreal is for interior only.  
\*\*Select Sarante finishes available for Interior and Exterior.

#### Fire Classification

ASTM E84 and CAN/ULC S102 Surface burning characteristics  
Class A  
Flame Spread: 25 or less  
Smoke development: 50 or less

#### Suspension System

Illusions suspension system is ICC approved in accordance with International Building Code standards for seismic categories A, B, C, D, E, F. Calculations to support slotted grid and "heavy duty" rating is available upon request.

#### Seismic Compliance

USG Ceiling Plus designs, engineers and manufactures ceiling systems using heavy duty rated tee bar suspension components as outlined in ASTM C635 for all of its ceiling systems (as applicable). Full report is available upon request.

#### Structural Test Reports

USG Ceilings Plus has developed Illusions ceiling systems to meet ASTM 635, ASTM 636 and typical local building code requirements. Test reports for suspension system performance may be available upon written request.

#### Integration

Illusions can accommodate a full range of Third-Party systems for any design intent. Air diffusers, speakers, sprinklers and other ceiling attached accessories can be independently attached to deck within our ceilings. CAD details are available online at [www.ceilingplus.com](http://www.ceilingplus.com).

#### Modification

Panels are easily modified in the field with standard tools. See our full list of CAD details.

#### Acoustics

Utilizing perforations and sound absorbing materials, we can meet your NRC requirement with Acoustibond and/or Ultrasorb. Fiberglass batts and duct liner are available upon request.

#### Footnotes

\* Available in exterior  
\*\* Available in 48" wide  
\*\*\* Available in both exterior and 48" wide

#### Notice

The information in this document is subject to change without notice. CGC Inc. or USG Corp. assumes no responsibility for any errors that may inadvertently appear in this document.

#### IC5399/rev. 6-22

© 2022 USG Corporation and/or its affiliates. All rights reserved. Printed in U.S.A.

Manufactured by USG Interiors, LLC  
550 West Adams Street  
Chicago, IL 60661

The trademarks USG, CEILINGS PLUS, CGC, ARBOREAL, ILLUSIONS, BLANCO MAT, LOGIX, SARANTE the USG/CGC logo, the USG Ceilings Plus logo, the design elements and colors, and related marks are trademarks of USG Corporation or its affiliates.

Safety First! Follow good safety/industrial hygiene practices during installation. Wear appropriate personal protective equipment. Read SDS and literature before specification and installation.

