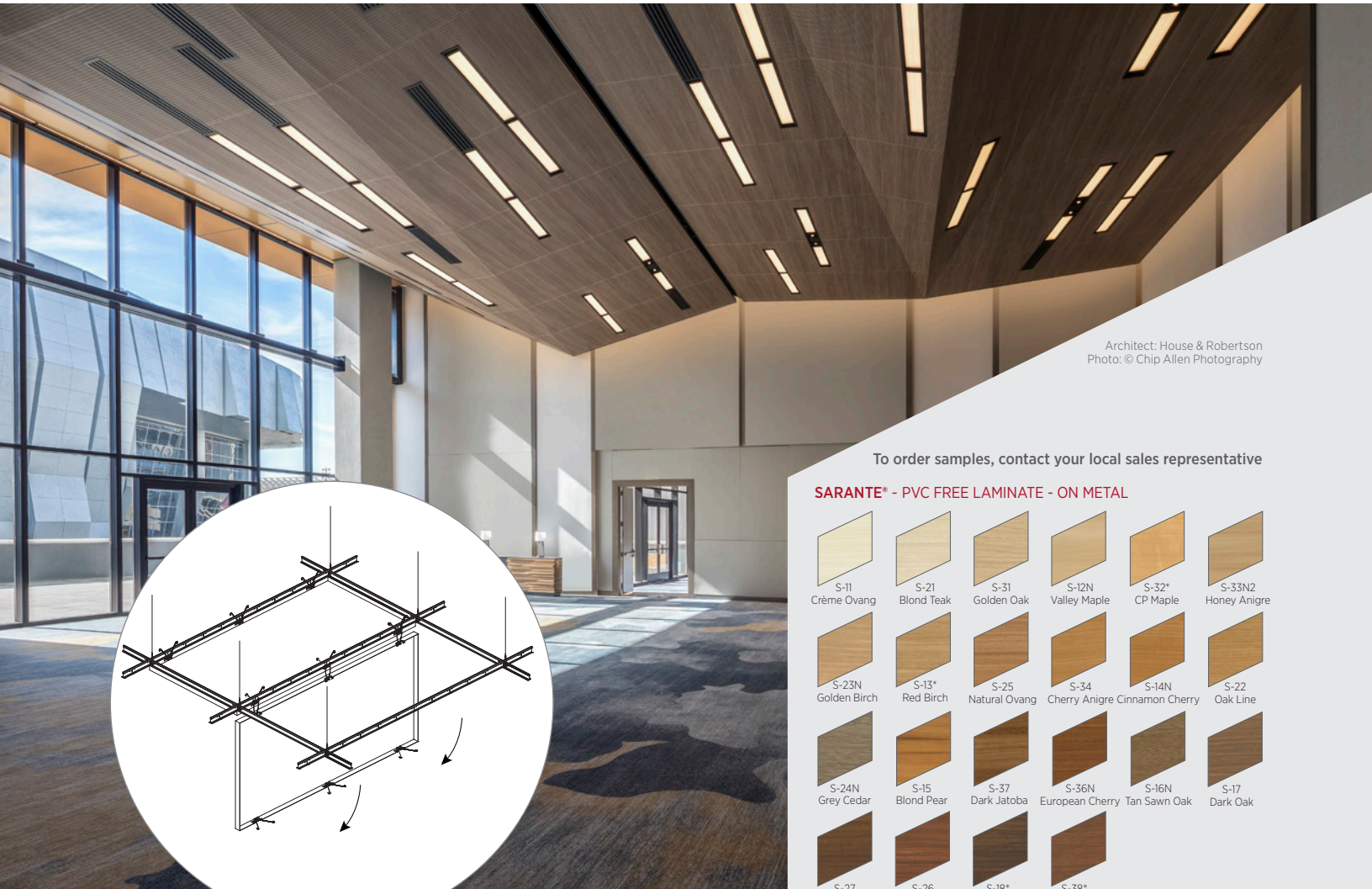


# USG Ceilings Plus® ILLUSIONS®

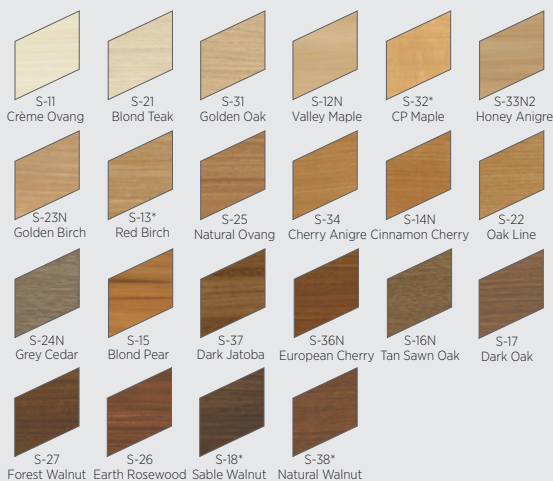
## METAL PANEL SYSTEM



Architect: House & Robertson  
Photo: © Chip Allen Photography

To order samples, contact your local sales representative

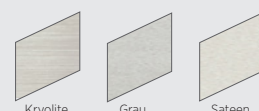
### SARANTE® - PVC FREE LAMINATE - ON METAL



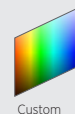
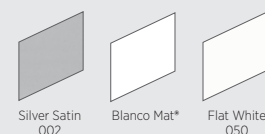
### TIMBRE™ - PRINTED WOOD GRAIN



### ANODIZED - ON METAL



### PAINTED - ON METAL



\*Available in exterior

### FEATURES AND BENEFITS

- Fully accessible system allowing access at every panel location.
- Third party integration of diffusers, lights, speakers, sprinklers, wifi, etc. (independently suspended).
- Acoustical performance utilizing perforations and sound absorbing materials including Acoustibond™ and Ultrasorb.
- Standard and customizable perforations are available to create visual patterns and acoustic performance.
- Design flexibility with panel sizes and layout options.
- Varied mounting arrangements are available to respond to any installation requirements or conditions.
- Class A per ASTM E84, Zero Flame Spread, non-combustible aluminum core Fire Classification.

### APPLICATIONS

- Interior and Exterior Applications
- Pods, Islands, and Clouds
- Wall to Wall Ceilings
- Sloped Ceilings
- Curved Ceilings
- New Construction
- Downward Accessible
- Concealed Grid

# USG Ceilings Plus® ILLUSIONS®

## METAL PANEL SYSTEM

**ORDER SAMPLES/LITERATURE**  
Contact your local sales rep.

**TECHNICAL SERVICES**  
Contact your local sales rep.

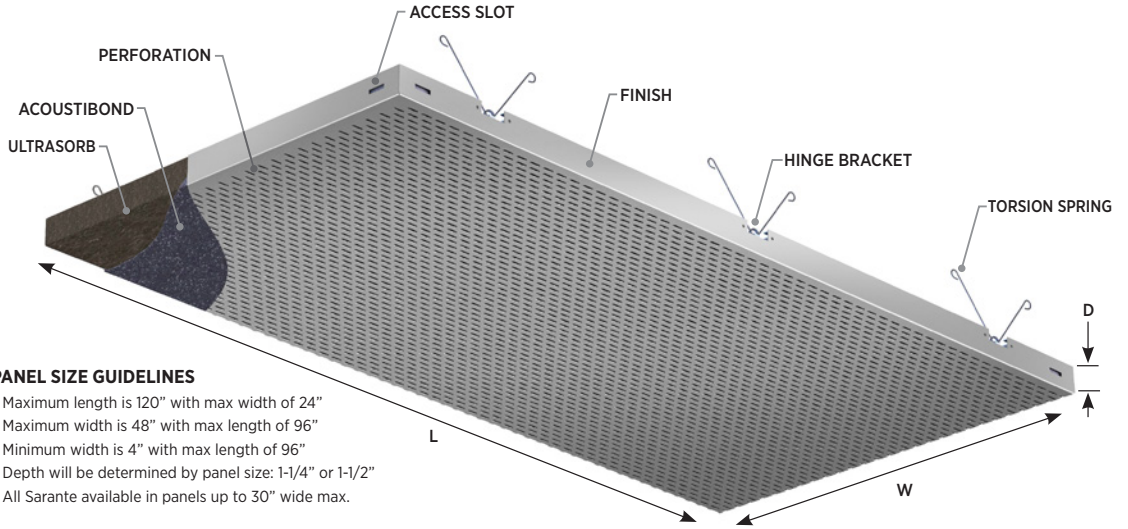
**FOR MOST UP-TO-DATE TECHNICAL INFORMATION AND LEED REPORT TOOL**  
Contact your local sales rep.

**Declare.** Declare® Labels on select finishes, see usg.ecomedes.com for more details and documentation.

### PERFORMANCE OPTIONS

Application	Grid Options	Finish	Accessibility	Ceiling Open %	Acoustics	NRC	Perforation	Fire Class	Recycled Content	Maintenance	Weight
Interior, Exterior	Torsion Spring Tee Grid	Sarante™, Timbre™, Anodized, Painted	Full Downward	Varies	Acoustibond™, Ultrasorb	Up to 0.95 (Requires perforations and acoustic backfill)	Standard, Custom	Class A, ASTM E84 CAN/ULC S102	Up to 95%, finish dependent	See architectural specification	Varies

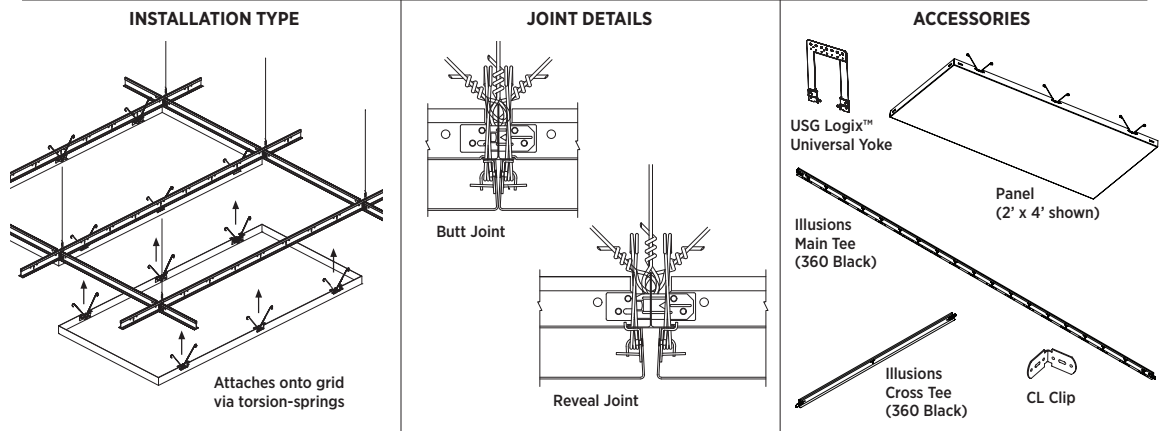
### DESIGN PARAMETERS



#### PANEL SIZE GUIDELINES

- Maximum length is 120" with max width of 24"
- Maximum width is 48" with max length of 96"
- Minimum width is 4" with max length of 96"
- Depth will be determined by panel size: 1-1/4" or 1-1/2"
- All Sarante available in panels up to 30" wide max.

### DETAIL & ACCESSORIES



#### Low Emissions (VOC)

Certified low emitting performance for select finishes, meets CDPH 01350 v1.2 - 2017. Certificates of Compliance for Low VOC Emissions are available on usg.com and at usg.ecomedes.com.

### PHYSICAL DATA

#### Additional Documents and Resources

Architectural Specification  
Installation Manual: IC5488  
Handling Guide: IC518  
Warranty: SC2102

#### Fire Classification

ASTM E84 and CAN/ULC S102 Surface burning characteristics  
Class A  
Flame Spread: 25 or less  
Smoke development: 50 or less

#### Suspension System

Supporting main tees are classified as Heavy Duty as classified per ASTM C635 when tested in accordance with ASTM E3090 and AC368.

#### Seismic Compliance

Suspension System is included in ICC ES ESR 1222 for use in Seismic Design Categories A through F when installed according to ASTM C636 and ASTM E580. Alternate installation methods may be used when designed by a registered engineer and approved by the authority having jurisdiction. Test reports for suspension system performance may be available upon request.

#### Integration

Illusions can accommodate a full range of Third-Party systems for any design intent. Air diffusers, speakers, sprinklers and other ceiling attached accessories can be independently attached to deck within our ceilings. CAD details are available online at [www.ceilingplus.com](http://www.ceilingplus.com).

#### Modification

Panels are easily modified in the field with standard tools. See our full list of CAD details.

#### Acoustics

Utilizing perforations and sound absorbing materials, we can meet your NRC requirement with Acoustibond and/or Ultrasorb. Fiberglass batts and duct liner are available upon request.

#### Notice

The information in this document is subject to change without notice. CGC Inc. or USG Corp. assumes no responsibility for any errors that may inadvertently appear in this document.

#### IC5399/rev. 12-25

© 2025 USG Corporation and/or its affiliates. All rights reserved. Printed in U.S.A.

Manufactured by USG Interiors, LLC  
550 West Adams Street  
Chicago, IL 60661

The trademarks USG, CEILINGS PLUS, CGC, ACOUSTIBOND, ILLUSIONS, BLANCO MAT, LOGIX, SARANTE, TIMBRE, the USG/CGC logo, the USG Ceilings Plus logo, the design elements and colors, and related marks are trademarks of USG Corporation or its affiliates.

Safety First! Follow good safety/industrial hygiene practices during installation. Wear appropriate personal protective equipment. Read SDS and literature before specification and installation.

