

PARALINE™ Linear Metal Ceiling System

Air Handling Performance

PARALINE Air Diffuser

PARALINE standard air boots with one- and two-directional air-deflecting labyrinths are designed for use with PARALINE ceiling systems, using the reveal between pans for air distribution. Assemblies snap onto pans above the ceiling line, concealed from view. Air boots are available in two-, three-, four-, six- and eight-slot configurations to meet various air volume and distribution needs.

To use air-handling equipment with PARALINE II pans, the flanges must be trimmed to open the reveal.

Standard Features

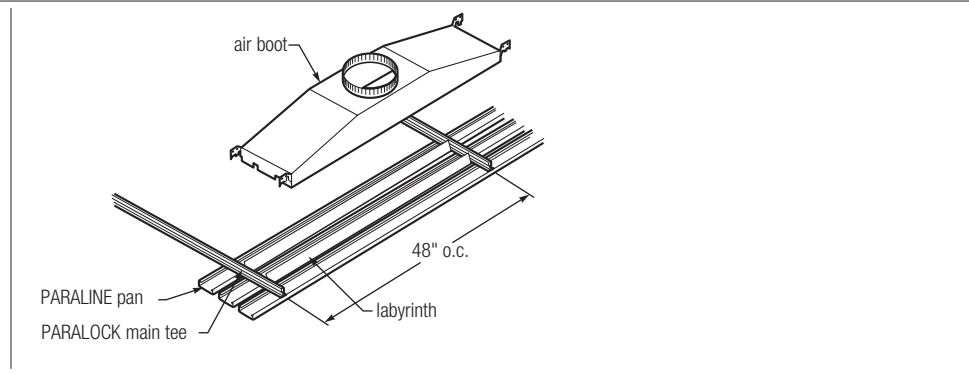
- Lined with 1/2", 1-1/2 lb. density glass fiber insulation for acoustical performance and thermal insulation.
- Air boot supported by PARALINE suspension system for simple, easy installation.
- Resilient gasketing around base of boot prevents air leakage.
- One- and two-directional configurations available.

Options

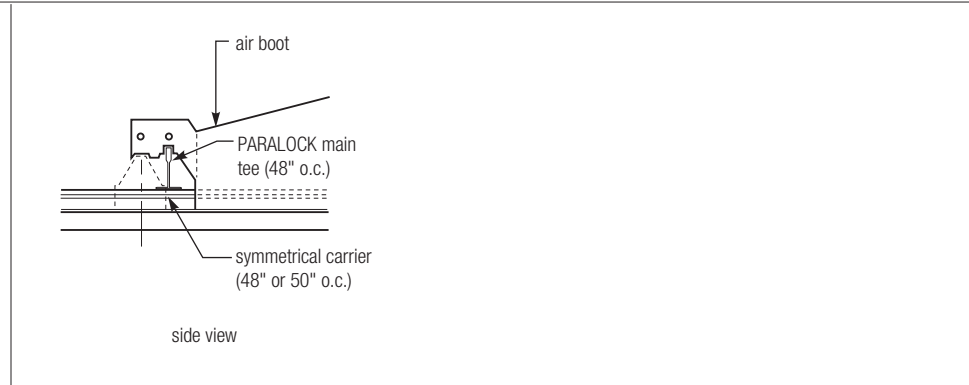
- Alternative collar sizes available for each boot.
- Butterfly damper in collar.
- Face-operable collar damper.

Air Boot	Length	Width	Collar Sizes	Directional
2-Slot	48" (nom.)	9-1/2"	6", 7", 8"	One or Two
3-Slot	48" (nom.)	13-1/2"	8", 9", 10"	One or Two
4-Slot	48" (nom.)	17-1/2"	8", 10", 12"	One or Two
6-Slot	48" (nom.)	25-1/2"	10", 12", 14"	One or Two
8-Slot	48" (nom.)	33-1/2"	12", 14", 16"	One or Two

Assembly



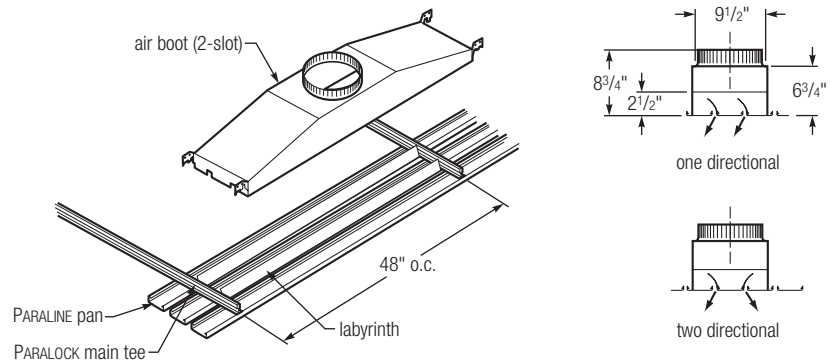
Air Boot Support on Paraline Carrier



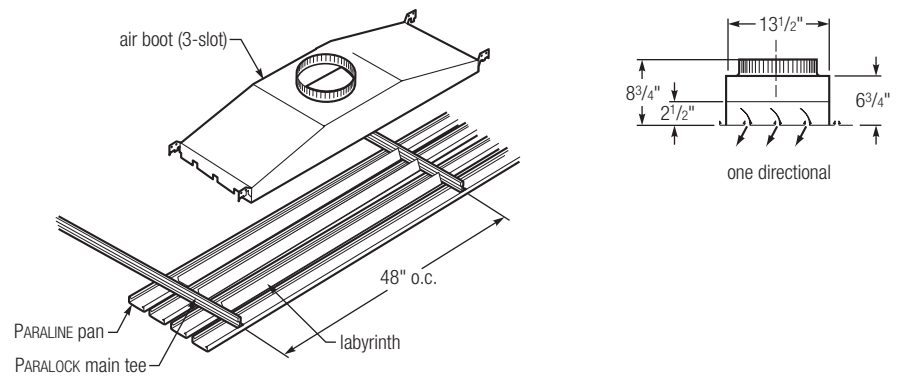
Air Handling Performance

Air Boot Options

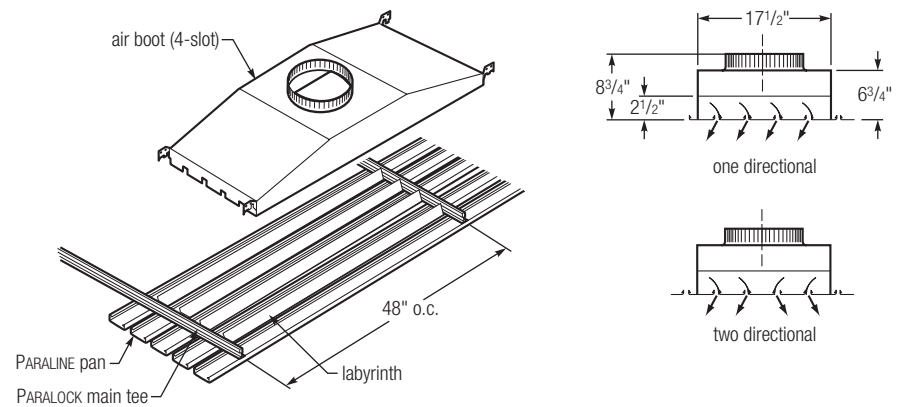
2-Slot Air Boot



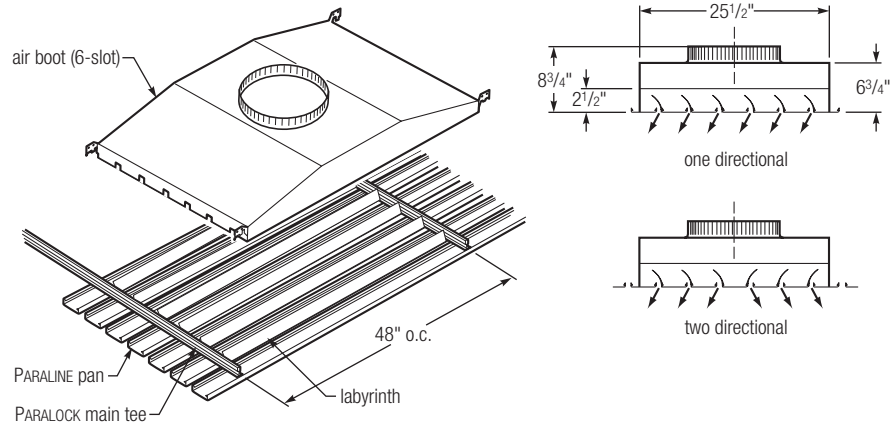
3-Slot Air Boot



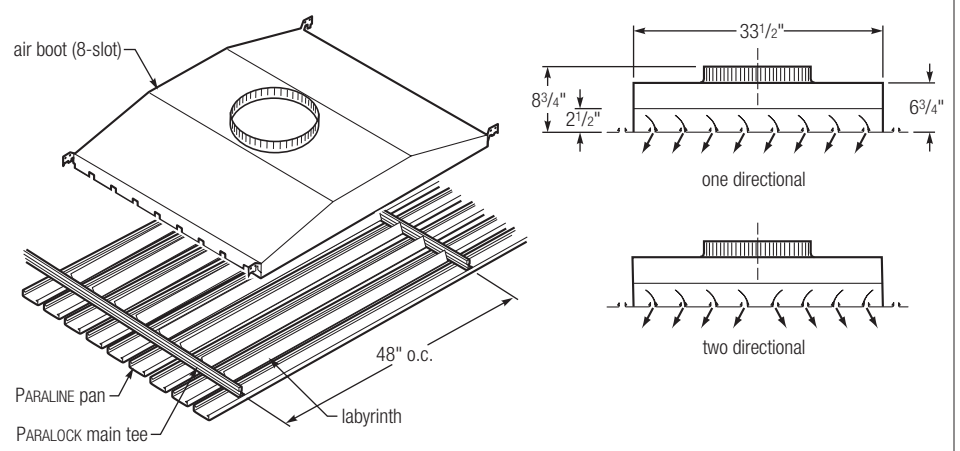
4-Slot Air Boot



6-Slot Air Boot



8-Slot Air Boot



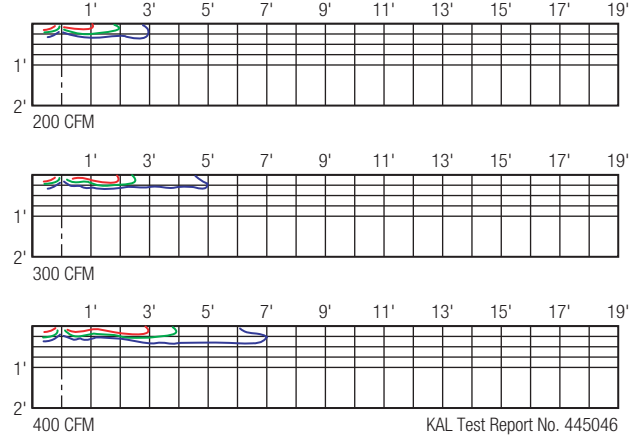
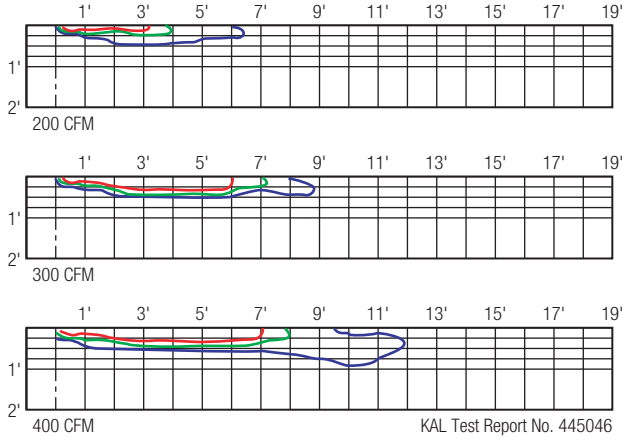
Air Handling Performance

2-Slot Boot with 8" Collar

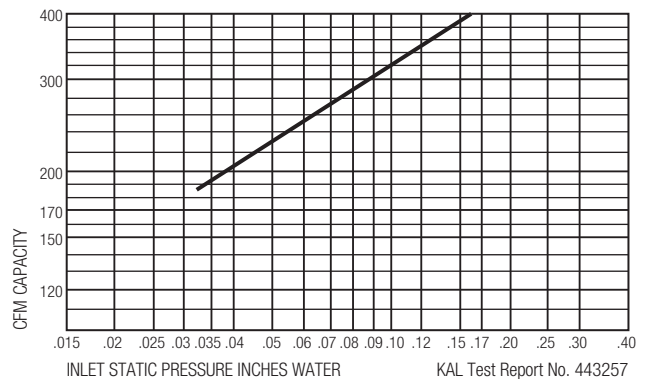
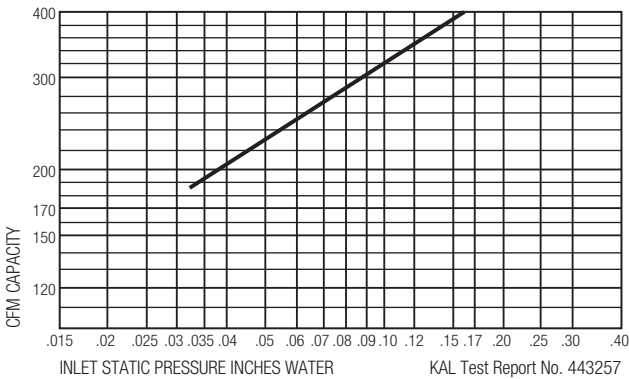
One Directional (Balancing: $A_k = .256$)

Two Directional (Balancing: $A_k = .259$)

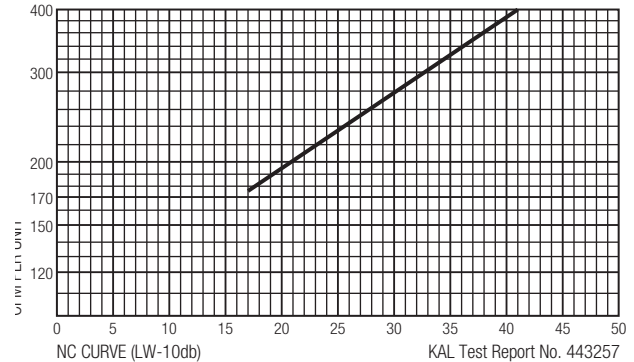
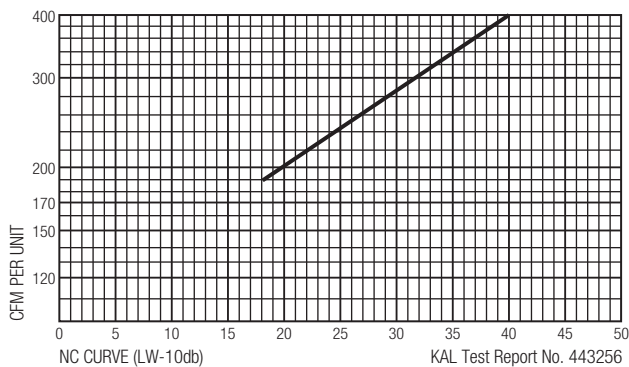
Diffuser Air Throw



Diffuser Static Pressure



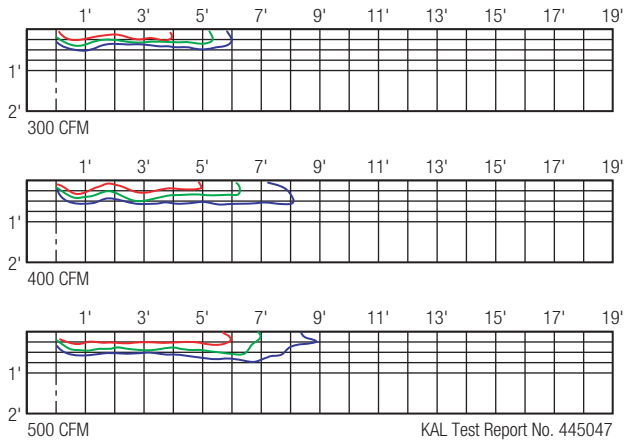
Diffuser Noise Criteria



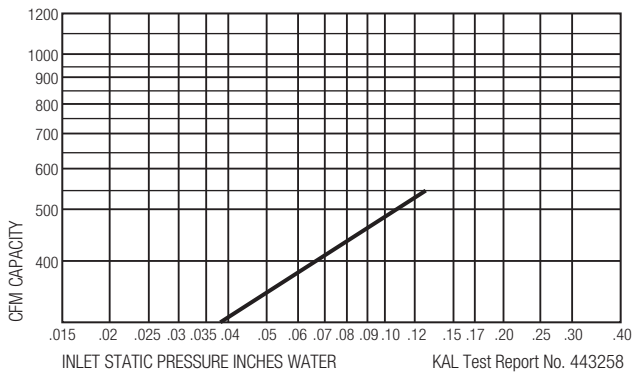
3-Slot Boot with 10" Collar

One Directional (Balancing: $A_k = .357$)

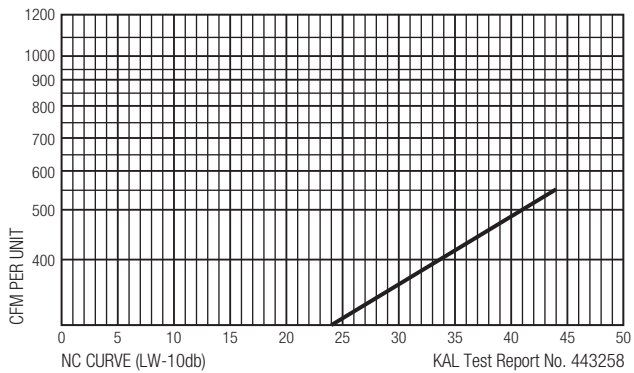
Diffuser Air Throw



Diffuser Static Pressure



Diffuser Noise Criteria



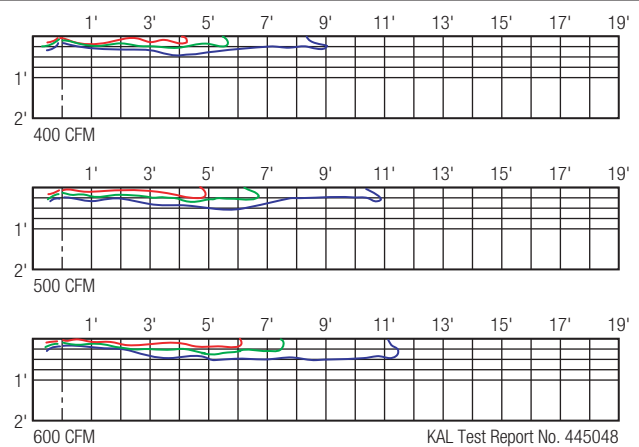
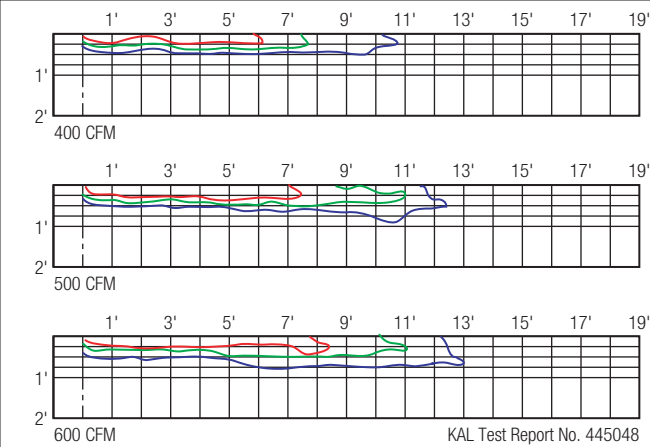
Air Handling Performance

4-Slot Boot with 12" Collar

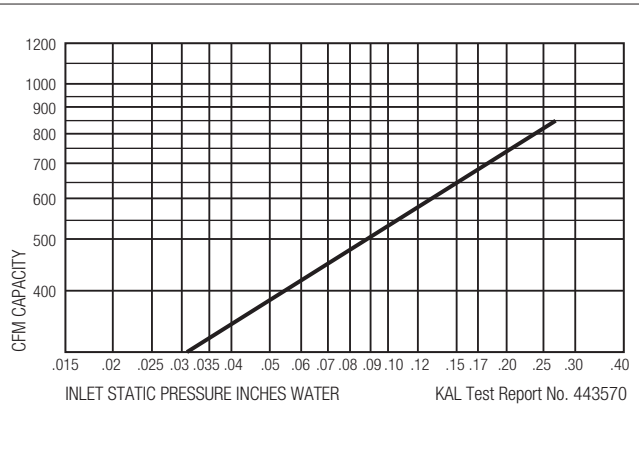
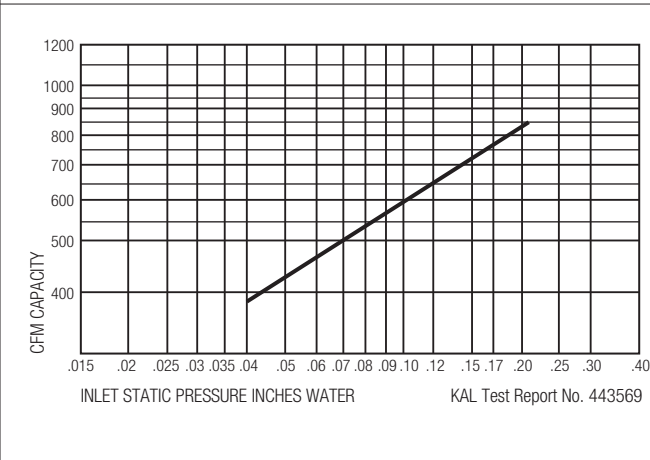
One Directional (Balancing: $A_k = .440$)

Two Directional (Balancing: $A_k = .429$)

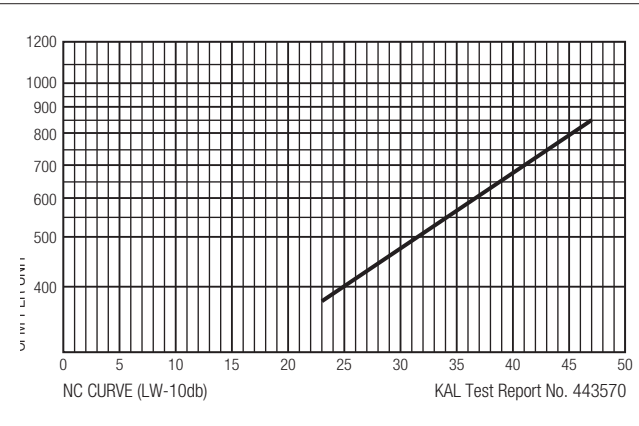
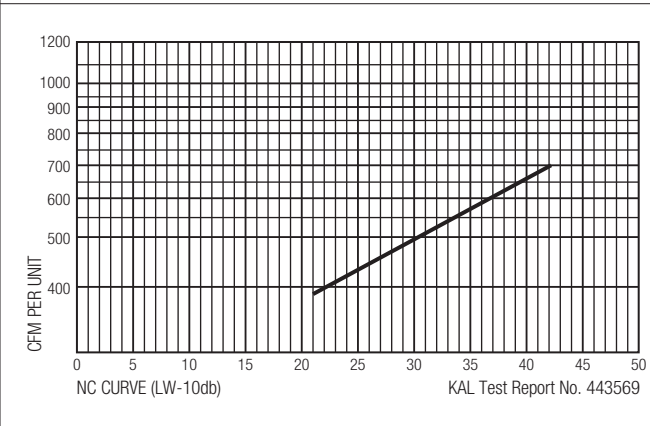
Diffuser Air Throw



Diffuser Static Pressure



Diffuser Noise Criteria

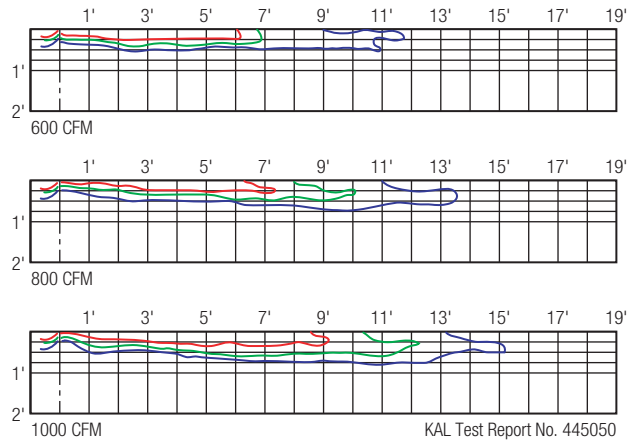
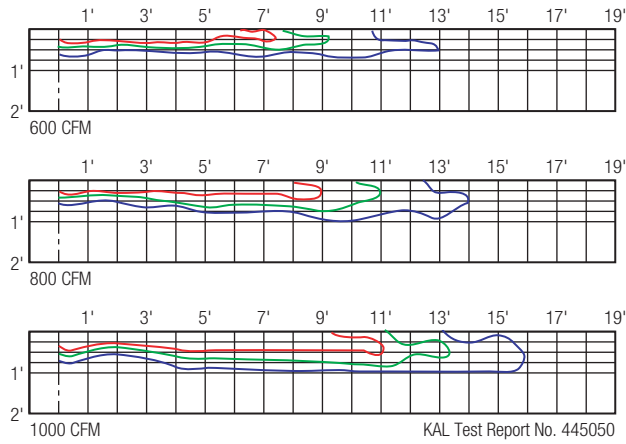


6-Slot Boot with 14" Collar

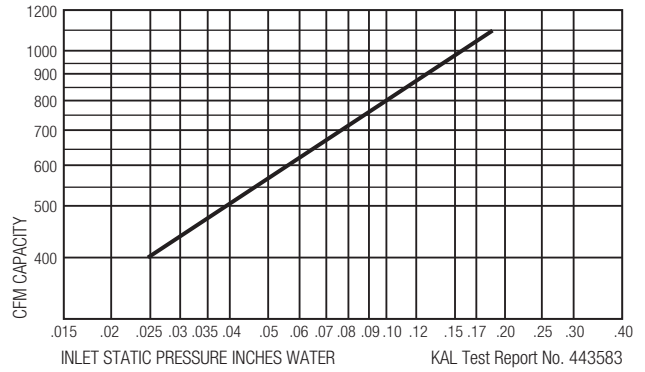
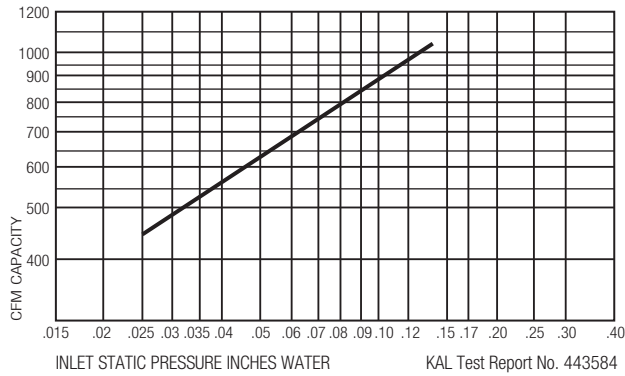
One Directional (Balancing: $A_k = .774$)

Two Directional (Balancing: $A_k = .705$)

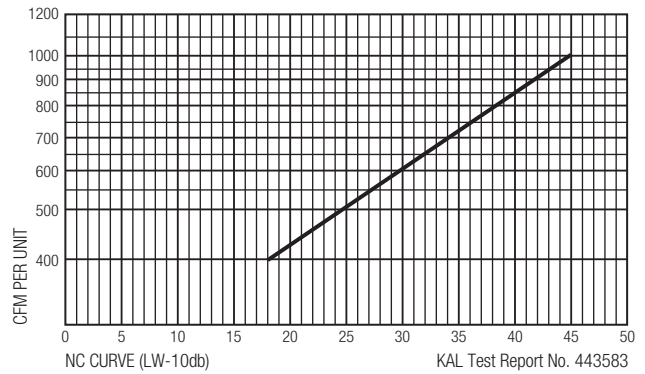
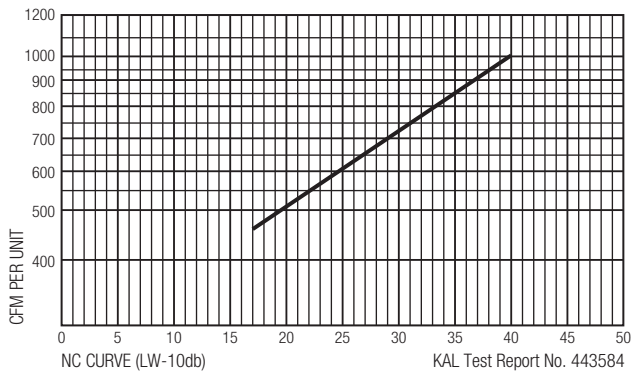
Diffuser Air Throw



Diffuser Static Pressure



Diffuser Noise Criteria



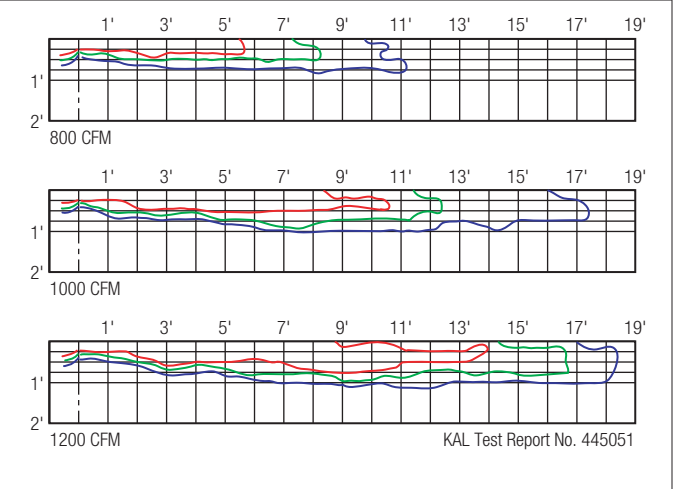
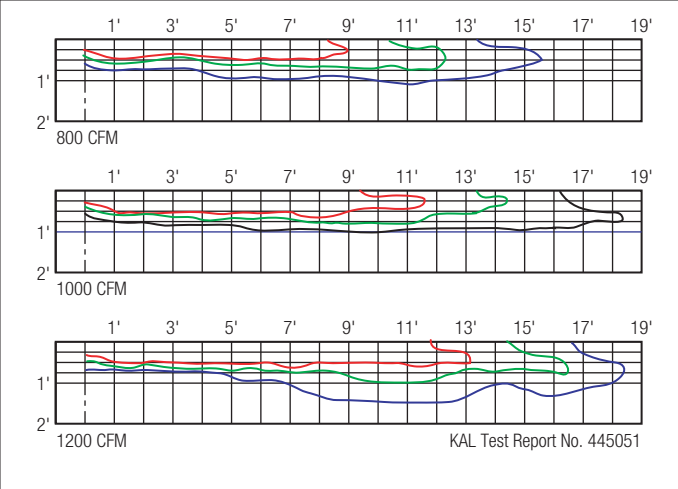
Air Handling Performance

8-Slot Boot with 16" Collar

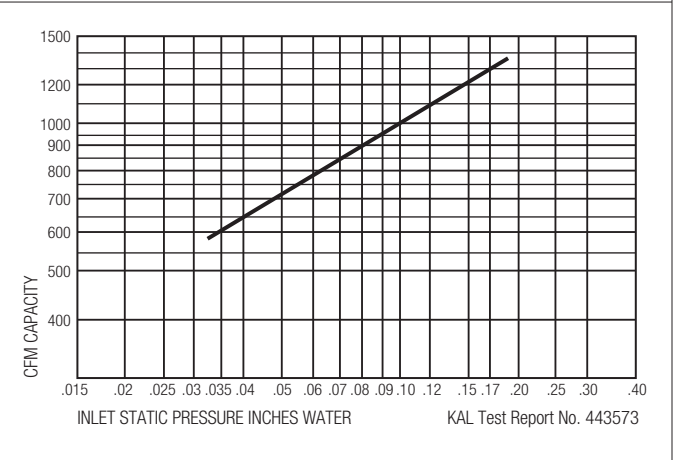
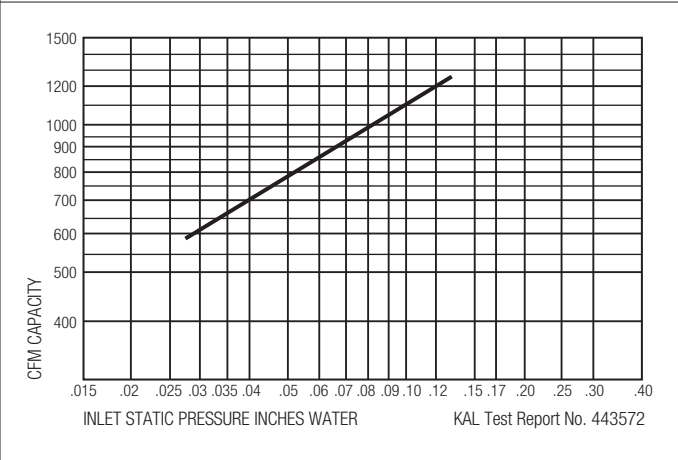
One Directional (Balancing: $A_k = .848$)

Two Directional (Balancing: $A_k = .854$)

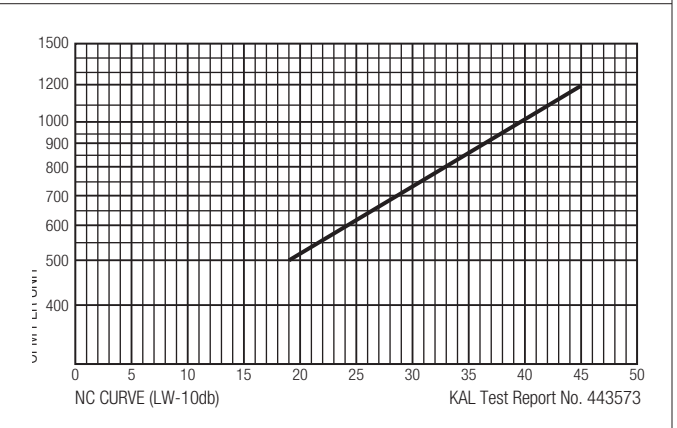
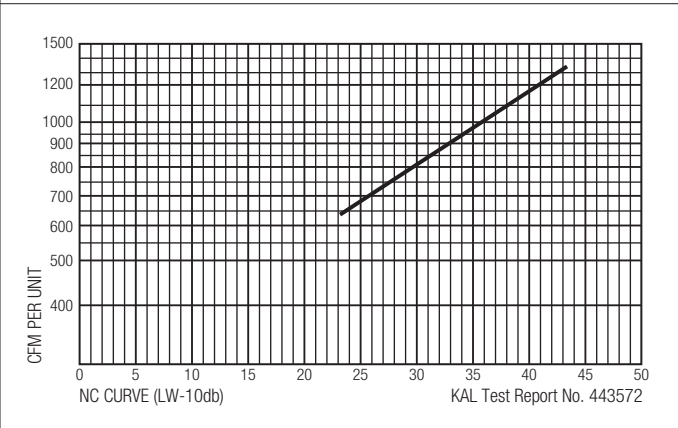
Diffuser Air Throw



Diffuser Static Pressure



Diffuser Noise Criteria



Fire-Rated Air Boot

Fire-rated PARALINE ceilings require a specially designed air boot. The boot integrates fully with PARALINE ceiling designs and has been tested and approved by Underwriters Laboratories under UL Design D-218.

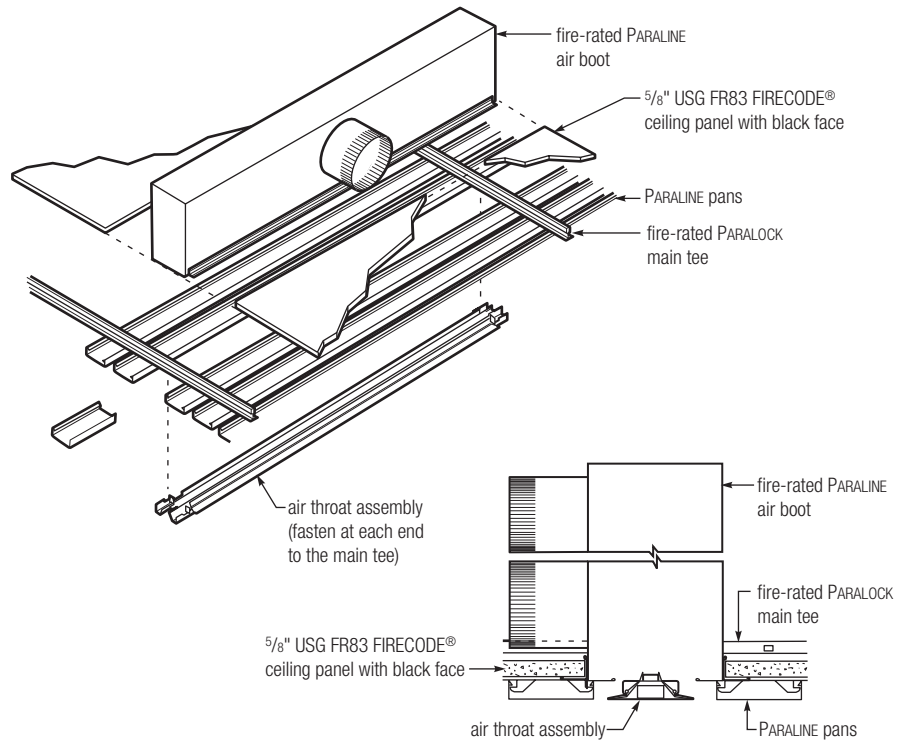
Note: If compliance with UL-555 is required, a fusible-linked damper will be needed between the air boot and supply duct.

Features

- Galvanized sheet metal construction to resist corrosion.
- Lined with 1/2" neoprene-coated glass fiber insulation (1-1/2 lbs./cu. ft. density) permanently bonded to the interior for acoustical performance and fire-rated insulating capacity.
- Directly supported by PARALOCK suspension system for fire-rated construction.
- Direction and volume controlled with face-operable weirs.
- Equipped with 6" or 8" diameter side-entry inlet collar.

Performance

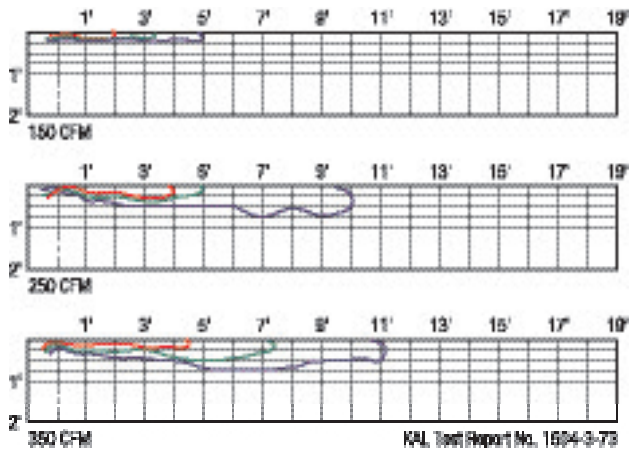
Two-slot air boot with 6" collar delivers 320 CFM at 35 NC and 0.08 WG static pressure (see data on page 10).



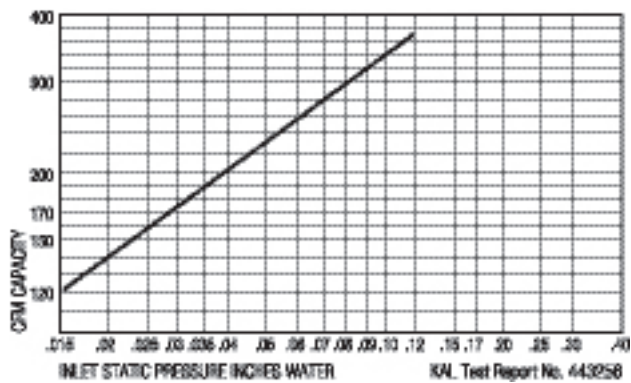
Fire-Rated 2-Slot Boot with 6" Collar

One Directional (Balancing: $A_k = .326$)

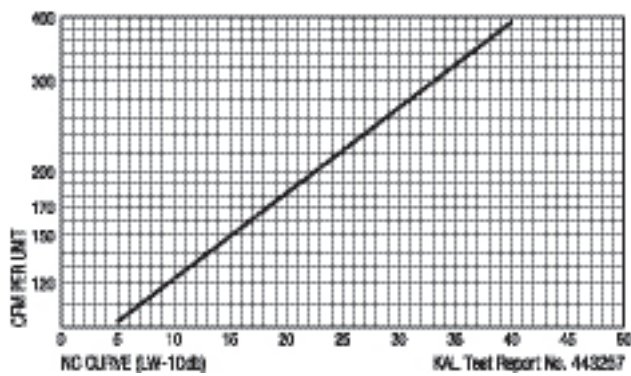
Diffuser Air Throw



Diffuser Static Pressure



Diffuser Noise Criteria



Technical Service

800 USG.4YOU

Web Site

www.usg.com

Samples/Literature

888 874.2450

Samples/Literature E-mail

samplit@usg.com

Samples/Literature/Fax

888 874.2348

Customer Service

800 950.3839



Manufactured by
USG Interiors, Inc.
125 South Franklin Street
Chicago, IL 60606

IC471/9-03
© 2003, USG Interiors, Inc.
Printed in U.S.A.