

Aesthetically pleasing and  
durable options for finishing  
walls and ceilings

USG

# Aesthetic Assemblies



Determining the appropriate finish for an interior building area can involve many factors, such as location, acoustical performance, cost, durability, application and desired aesthetics. Ideally, the appropriate finish will complement the architectural design.



**Beauty and Durability**

# User's Guide

This brochure provides information on how to:

- Determine the appropriate level of finish, decorative finish and corner treatment
- Choose and apply textures for walls and ceilings

	Pages	
<b>Understand Your System</b>	<b>4</b>	Overview Definitions Components
<b>Select Your System</b>	<b>17</b>	Performance Selector Finish and Color Selector Texture Selector
<b>Specify Your System</b>	<b>20</b>	Application Guide Specifications
<b>For More Information</b>		Technical Service 800 USG.4YOU  Web Site <a href="http://www.usg.com">www.usg.com</a>

# Overview

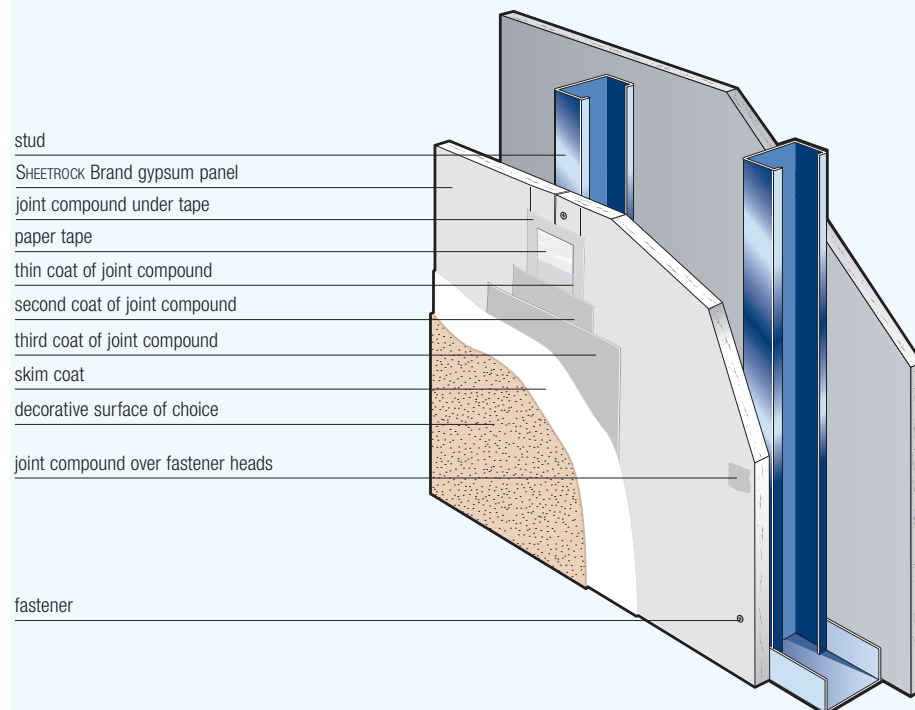
An area that receives little light or attention, such as a commercial garage or a plenum area above a ceiling, probably merits a less expensive finish than a residential living room.

In a garage or plenum area, drywall joints might only be taped but not finished, while in a living room the specifications might call for joint compound, primer and skim coat for the highest quality finish. A textured finish might be used to cover surface imperfections in one application, while in another it might be deemed unacceptable. And finally, the corners themselves can receive different treatments.

To determine how to finish an interior wall or ceiling, consider these factors:

- Level of finish
- Decorative finish
- Corner treatment

## Typical Aesthetic Assembly





# Definitions

“Level of finish” is an industrywide set of requirements for surface treatment or preparation relative to the type and angle of surface illumination from both natural and artificial lighting, the paint and method of application, and the type and finish of wall-covering material specified as the final decoration. Intended usage can also affect level of finish. For instance, temporary construction, garages or attics might require a lower level of finish.

The level of finish designates how and to what level joints, interior angles, fastener heads, and accessories are treated with (or without) joint compound. Each level also details whether tool marks and ridges are acceptable and if a drywall primer and/or skim coat is required to achieve the desired quality of finish.

## Important Terms

### Critical Lighting

A condition where interior surfaces are flooded by natural or artificial lighting (e.g., from large windows or skylights) at an oblique angle, exaggerating surface irregularities. Gloss, semi-gloss, and enamel finishes highlight surface defects, while textures hide minor imperfections. Generally, the more critical the light, lighter the texture, or glossier the paint, the higher the level of finish will be required.

### Drywall Primer

A paint material specifically formulated to fill the pores and equalize the suction difference between gypsum board surface paper and the compound used on finished joints, angles, fastener heads, and accessories and over skim coatings. A standard drywall primer is applied undiluted as a first coat to the entire prepared gypsum board surface prior to decoration with gloss, semi-gloss and flat latex wall paints and texture materials.

### Joint Photographing

The term used for the shadowing of the finished joint areas through the surface decoration. To reduce the occurrence of joint photographing, the surface is treated with a combination of drywall primer, skim coat, or drywall primer-surfacer.

### Primer-surfacer

An alternate to the traditional drywall skim coat that combines the joint compound skim coat and the drywall primer into a single application. Spray-applied like paint, primer-surfacer costs less, is applied faster, and may result in fewer callbacks.

# Definitions

## Skim Coat

A thin coat of joint compound, or other specially manufactured material for this purpose, applied over the entire surface to fill imperfections in joint work, smooth paper texture, and provide a uniform surface for decorating. Excess compound is immediately sheared off, leaving a film of skim coating compound completely covering the paper. There is very little surface buildup.

## Wall Covering Primer

Another type of drywall primer used prior to the application of wall coverings to minimize damage if wall coverings are removed. These materials are white, self-sizing, and water based.

## Levels of Finish

Level	Application	Treatment	Appearance
0	Temporary construction, undetermined decoration	<ul style="list-style-type: none"> <li>No taping, finishing or accessories required</li> </ul>	
1	Plenum areas above ceilings, attics, areas normally not visible	<ul style="list-style-type: none"> <li>All joints and interior angles are set in joint compound</li> <li>Tape and fastener heads need not be covered with joint compound</li> </ul>	<ul style="list-style-type: none"> <li>Tool marks and ridges are acceptable</li> </ul>
2	Garages, warehouse storage, places where surface appearance isn't critical	<ul style="list-style-type: none"> <li>All joints and interior angles have tape embedded in joint compound and are immediately wiped to leave a thin coating of joint compound over the tape</li> <li>Fastener heads and accessories are covered with one coat of joint compound</li> </ul>	<ul style="list-style-type: none"> <li>Tape should not be visible at this stage</li> <li>Surface should be free of excess joint compound</li> <li>Tool marks and ridges are acceptable</li> </ul>
3	Areas where heavy texture finishes or commercial-grade wall covering will be applied	<ul style="list-style-type: none"> <li>All joints and interior angles have the tape embedded in joint compound, the thin layer of wiped compound, and one additional coat of joint compound applied over all joints and interior angles</li> <li>Fastener heads and accessories are covered with two separate coats of joint compound</li> </ul>	<ul style="list-style-type: none"> <li>All joint compound should be free of tool marks and ridges</li> <li>Drywall primer required prior to application of final finishes</li> </ul>
4	Areas where residential-grade wall coverings, flat wall paints or light textures are to be applied	<ul style="list-style-type: none"> <li>All joints and interior angles should have tape embedded in joint compound along with the thin layer of wiped joint compound</li> <li>Two separate coats of joint compound shall be applied over all flat joints and one separate coat of joint compound applied over interior angles</li> <li>Fastener heads and accessories are covered with three separate coats of joint compound</li> </ul>	<ul style="list-style-type: none"> <li>All joint compound should be free of tool marks and ridges</li> <li>Drywall primer required prior to application of final finishes</li> </ul>
5	Areas where gloss, semi-gloss or enamel paints will be applied or where critical lighting conditions exist	<ul style="list-style-type: none"> <li>All joints and interior angles are treated to same level as level 4 finish, with an additional thin skim coat of joint compound or material designed especially for this purpose over the entire surface (such as primer-surfacer)</li> </ul>	<ul style="list-style-type: none"> <li>All joint compound should be free of tool marks and ridges</li> <li>Drywall primer required prior to application of finish paint</li> <li>Highest quality finish</li> <li>Most effective way to provide uniform surface and minimize possibility of joint photographing and fasteners showing through final decoration</li> <li>Required where gloss, semi-gloss, enamel or non-textured/flat paints are specified, or when critical lighting conditions exist</li> </ul>

For areas where an even higher level of finish is required, a plaster system provides a smooth, durable, monolithic finish.

For more information, see the following brochure:

## Plaster Systems (SA920)

# Components

Substitutions of any of the components are not recommended or supported by USG. Refer to the appropriate product material safety data sheet for complete health and safety information.

## Gypsum Board Finishing

### Drywall Joint Tapes

#### **SHEETROCK® Brand Joint Tape**

- Superior center creasing for trouble-free corner finishing
- High-strength to resist tearing, stretching, wrinkling
- Processed for superior bond
- Wafer-thin for easy joint treatment
- Refer to product submittal sheet J1736 for more information

#### **SHEETROCK Brand Fiberglass Drywall Tape**

- Self-adhesive tape—no bedding coat needed
- Smooth joints in only two coats
- Use with setting-type joint compounds for one-day joint finishing
- Refer to product submittal sheet J780A for more information

### Ready-Mixed Joint Compounds

#### **SHEETROCK Brand All Purpose Joint Compound**

- Versatile performer: tape, finish, texture, laminate, or skim coat
- Good for taping, topping and repairing plaster cracks
- Refer to product submittal sheet J60A for more information

#### **SHEETROCK Brand Plus 3™ Lightweight All Purpose Joint Compound**

- Weighs up to 30% less than conventional joint compounds
- Low shrinkage—only two coats needed over metal
- Sands more easily than conventional compounds
- Excellent for hand and mechanical tool application
- Refer to product submittal sheet J498A for more information

#### **SHEETROCK Brand Taping Joint Compound**

- Great for embedding tape; excellent bond and crack resistance
- Best ready-mixed material for laminating
- Refer to product submittal sheet J60A for more information

#### **SHEETROCK Brand Topping Joint Compound**

- Low shrinkage; ideal as second and third coats
- Easy to apply and sand; smooth finishing
- Refer to product submittal sheet J60A for more information

# Components

---

## **SHEETROCK Brand MIDWEIGHT™ All Purpose Joint Compound**

- Ready-mixed convenience
- Weighs up to 15% less than conventional-weight compounds
- Easy working and sanding
- Low shrinkage
- Refer to product submittal sheet J963 for more information

## **Setting-Type Powder Joint Compounds**

### **SHEETROCK Brand DURABOND® Setting-Type Joint Compound**

- Choice of setting times
- Exceptional bond with low shrinkage
- Same-day finishing and next-day decorating possible
- Excellent check-crack resistance in heavy fills
- Unique resistance to humidity
- Refer to product submittal sheet J17A for more information

### **SHEETROCK Brand EASY SAND™ Lightweight Setting-Type Joint Compound**

- Choice of setting times
- Weighs up to 25% less than conventional setting-type compounds
- Easy sanding—similar to ready-mixed, all-purpose compound
- Provides excellent bond, low shrinkage, humidity resistance, and check-crack resistance
- Easy to mix
- Refer to product submittal sheet J621 for more information

## **Prime Coat**

### **SHEETROCK® Brand First Coat Primer**

- Ideal primecoat for interior gypsum board and concrete surfaces
- Equalizes surface absorption and texture variations of substrate to minimize decorating problems
- Apply with brush, roller, or spray equipment
- Dries white in less than 30 minutes—topcoat in an hour
- Refer to product submittal sheet J1095 for more information

### **SHEETROCK Brand Wallcovering Primer**

- Prepares and seals most wall surfaces for decoration
- Permits later removal of wallpaper
- Dries quickly to a smooth working surface
- Refer to product submittal sheet J945 for more information

## **Primer-Surfacer**

### **SHEETROCK Brand TUFF-HIDE® Primer-Surfacer**

- Use in lieu of skim coat and primer coat in a Level 5 gypsum board finish
- Minimizes callbacks caused by joint banding and photographing
- Installed cost savings versus traditional separate applications of skim coat and a prime coat
- Durable coating hides minor surface defects
- Refer to product submittal sheet J1613 for more information



---

## Textures

### Powder Texture

#### **SHEETROCK Brand QT Ceiling Spray Textures**

- For striking simulated acoustical appearance on interior ceilings
- Ideal for new construction and for renewing old ceilings
- Hides minor surface defects with an attractive texture
- Choice of three high-style finishes
- Easy-pumping, low-cost spray application
- Refer to product submittal sheet J378 for more information

#### **SHEETROCK Brand Wall and Ceiling Multipurpose Texture**

- Spray, brush, or roller applied
- For artistic variety of light texture effects on new drywall interiors
- Offers decorative versatility
- Conceals minor surface defects in walls, ceilings
- Not washable unpainted—should be overpainted when dry
- Refer to product submittal sheet J383 for more information

#### **SHEETROCK Brand Wall and Ceiling Unaggregated Spray Textures**

- For a variety of light, appealing textures in interiors, including spatter and spatter/knockdown
- Superior open time for hand-tooled knockdown finishes
- Excellent surface relief (standout), low shrinkage
- Not washable unpainted—overpaint when dry
- Refer to product submittal sheet J377 for more information

#### **SHEETROCK Brand Wall and Ceiling Sand Finish Texture 12 Spray Texture**

- For beautiful sand-finish plaster effect
- Conceals minor surface defects in walls and ceilings
- Designed for fast, low-cost spray application
- Can be left unpainted on ceilings
- Refer to product submittal sheet J382 for more information

#### **SHEETROCK Brand Tuf-Tex® Wall and Ceiling Texture**

- For diverse texture patterns from bold spatter/knockdown to light orange peel
- Conceals minor surface defects
- Spray, brush, or roller application
- Dries to a hard white finish—overpaint when dry
- Refer to product submittal sheet J751 for more information

### Ready-Mixed Textures

#### **SHEETROCK Brand All Purpose or Topping Ready-Mixed Compound**

- Produces light to medium textures
- Brush, roller or trowel application
- Not recommended for spray application
- Refer to product submittal sheet J60A for more information

# Components

---

## **SHEETROCK Brand Wall and Ceiling Sand Finish Texture 1 Texture Paint**

- For producing a light sand finish with light-bodied under-texture
- Quick-drying—shortens decorating time, reduces overall costs
- Interior white latex
- Refer to product submittal sheet J917 for more information

---

## **USG COVER COAT® Compound**

- For filling and smoothing monolithic concrete ceilings and columns located above grade
- Easily applied; no extra bonding agent needed
- Dries to a fine white decorative surface
- Also ideal for drywall tape embedding and first coat over bead
- Refer to product submittal sheet J59 for more information

---

## **SHEETROCK Brand Wall and Ceiling TEXOLITE® Sanded Paste Stipple Texture Paint**

- Provides a fine, light sand finish that conceals minor surface defects
- Latex formula dries to a durable, natural white finish
- Spray, brush or roller applied
- Refer to product submittal sheet J692 for more information

---

## **SHEETROCK Brand Wall and Ceiling Spray Texture**

- Spray texture with ready-mixed convenience
- For a variety of light, appealing textures in interiors, such as spatter, spatter/knockdown, and orange peel
- Excellent surface relief (standout); low shrinkage
- Not washable unpainted—overpaint when dry
- Refer to product submittal sheet J1130 for more information

---

## **SHEETROCK Brand Sand Finish Paint Additive**

- For creating textured walls and ceilings, non-skid surfaces on decks and steps, etc.
- Works in all paints and varnishes—oil-based or latex-based, interior or exterior
- Amount used can be varied to provide a customized texture
- Remains suspended during application to ensure a uniform finish
- Refer to product submittal sheet J1140 for more information

---

## **Interior Finishes**

---

### **DIFS**

#### **USG Decorative Interior Finish System**

- Provides color and texture without painting
- Semi-smooth to virtually any textured appearance
- UV and abrasion resistant, surface doesn't yellow
- Works for repair, resurfacing and remodeling projects
- Refer to SA920, *Plaster Systems*, in this binder for more information

---

## Plaster Systems

See SA920, *Plaster Systems*, in this binder for more information on substrates, basecoat and finish plasters, gauging plasters, and finishing limes.

### Basecoat Plasters

#### **DIAMOND® Brand Veneer Basecoat Plaster**

- Quality walls and ceilings for residential or commercial construction where a high production rate is desired
- Use where superior strength of IMPERIAL Brand Basecoat Plaster is not essential
- Refer to product submittal sheet P774 for more information

#### **IMPERIAL® Brand Basecoat Plaster**

- High-strength (3,000 psi) veneer basecoat plaster for use in two-coat applications
- Can be used with a veneer plaster finish
- Refer to product submittal sheet P776 for more information

#### **RED TOP® Brand Gypsum Plaster**

- General purpose basecoat plaster available in different forms to suit regional preferences
- Requires adding aggregate and water on the job
- Refer to product submittal sheet P752 for more information

#### **RED TOP Brand Wood Fiber Plaster**

- Gypsum plaster containing fine particles of selected wood fiber
- Recommended as a scratch coat for metal lath, but can be used on all standard laths and masonry
- Refer to product submittal sheet P751 for more information

#### **STRUCTO-BASE® Gypsum Plaster**

- Develops higher strengths than conventional plasters
- For security walls, handball courts, hospital corridors, schools, and wherever the ultimate compressive strength plaster is necessary
- Refer to product submittal sheet P753 for more information

#### **STRUCTO-LITE® Gypsum Plaster**

- Mill-mixed, perlite-aggregated plaster
- Less than half the weight of a sanded basecoat, but provides three times the insulation value
- Refer to product submittal sheet P754 for more information

### Finish Plasters

#### **DIAMOND Brand Interior Finish Plaster**

- Ideal for applications requiring fast completion and durability
- Competitive in cost in many areas with taped and finished drywall
- Refer to product submittal sheet P777 for more information

#### **IMPERIAL Brand Finish Plaster**

- Ideal for hard-wear locations requiring the ultimate in strength (3,000 psi), abrasion resistance and durability
- Refer to product submittal sheet P775 for more information

# Components

---

## **RED TOP Brand Finish Plaster**

- Easy-working mill-mixed gauged plaster-lime finish for high productivity
- Offers excellent smoothness and trowelling characteristics
- Refer to product submittal sheet P773 for more information

---

## **USG Acoustical Plaster Finish**

- Natural white, aggregated spray-on texture finish
- Provides sound-rated decorative finish for interior use on basecoat plaster, concrete, metal deck, and gypsum panel ceilings
- For use on noncontact surfaces only

---

## **Corner Treatments**

---

### **Flex Tapes**

#### **SHEETROCK Brand Flex Metal Tape**

- Tape-on flexible corner
- All-purpose use on any inside or outside angle
- Available in 2-1/16" or 4" width
- Refer to product submittal sheet J549 for more information

---

#### **SHEETROCK Brand B1 Beaded Flex Metal Corner**

- Tape-on outside flexible corner
- 3" width with two 3/4" wide galvanized steel strips laminated to paper tape with a flexible gap between the strips
- Unique raised bead in the flexible gap to provide faster, easier finishing with joint compound
- Refer to product submittal sheet J549 for more information

---

#### **SHEETROCK Brand B2 Flex Metal Tape**

- Tape-on inside flexible corner
- Ideal for vaulted ceiling angles and vertical inside angles
- 4" width that has two 7/8" galvanized strips with no gap between the strips
- Refer to product submittal sheet J549 for more information

---

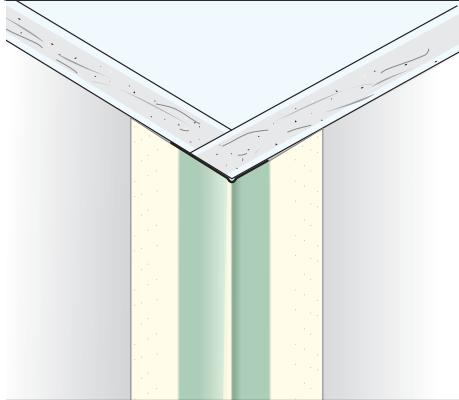
### **Bead and Trim**

#### **SHEETROCK Brand Paper Faced Metal Drywall Bead and Trim**

- Variety of styles to permit design flexibility
- Fast, easy installation
- Excellent adhesion of joint compounds, textures and paints
- Strong paper tape laminated to a sturdy, rust-resistant metal form
- Not recommended for veneer plaster applications
- Superior resistance to edge cracking
- Paper tape and nail-on versions available
- Refer to product submittal sheet J1356 for more information

**90° Outside Corner Bead**

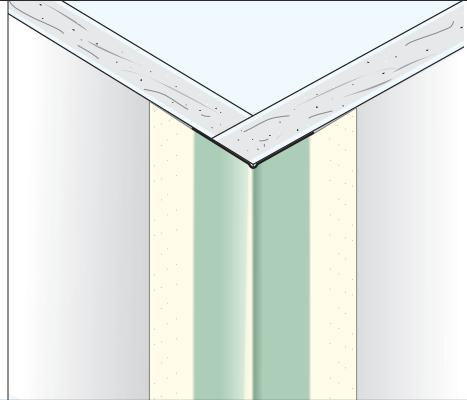
**Outside Corner, Tape-On Bead**



**B1W, B1XW EL, B1 Super Wide**

- Use for 90° outside corners
- Suitable for use on any thickness of wallboard

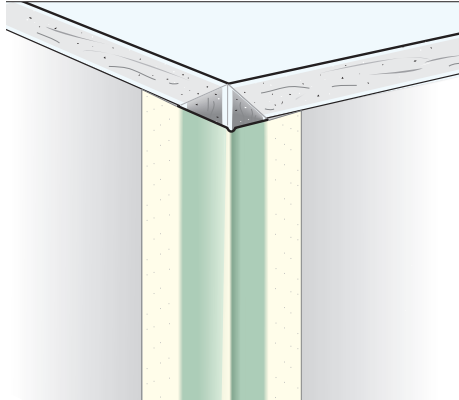
**Offset Outside Corner, Tape-On Bead**



**Micro Bead**

- Reduced bead height results in less use of joint compound
- Wider 1"x 1" flanges provide easier installation on all cut edges

**Offset Outside Corner, Tape-On Bead**



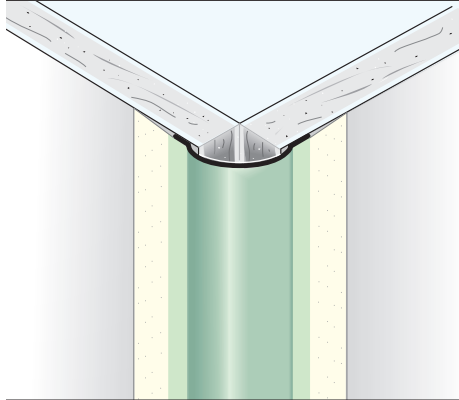
**B1 OS**

- Designed for 135° corners
- Gives a true offset corner with a smaller bead height for less compound fill
- Can be used on any thickness of wallboard

# Components

## Round Bullnose Outside Corner Bead

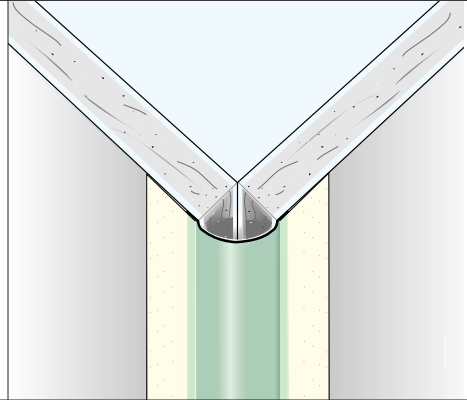
**3/4" Bullnose Outside Corner, Tape-On Bead**



**SLOC**

- Installs easily to form a smooth rounded outside corner
- Can be used for 1/2" or 5/8" drywall panels

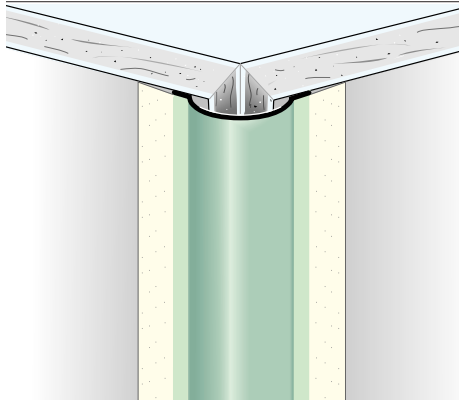
**1/2" Bullnose Outside Corner, Tape-On Bead**



**BABY BULL™**

- Smaller radius forms a smooth, rounded outside corner
- Can be used on 1/2" or 5/8" thick drywall panels

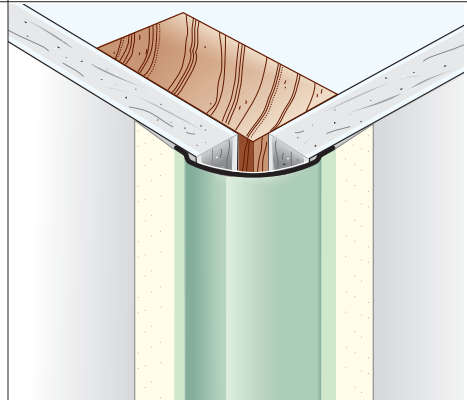
**Bullnose Offset Outside Corner, Tape-On Bead**



**SLOC OS**

- Designed for bay window and other offset applications
- Use to create a rounded 135° offset outside corner

**1-1/2" Bullnose Outside Corner, Tape-On Bead**



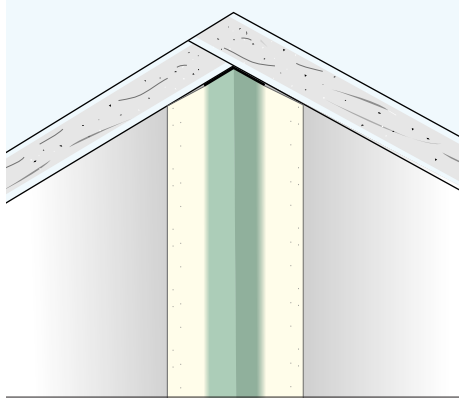
**Danish**

- Similar to the SLOC series except for a 1-1/2" radius
- Can be used for 1/2" or 5/8" drywall



**Inside Corner Trims**

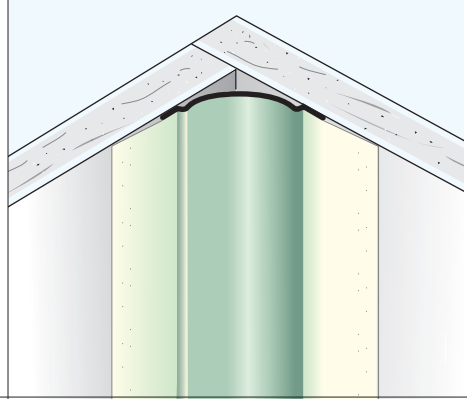
**Inside Corner, Tape-On Trim**



**B2**

- Designed to form a true inside (90°) corner
- For use with any thickness of wallboard

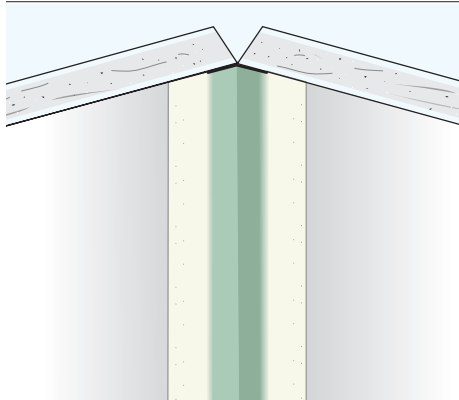
**3/4" Bullnose Inside Corner, Tape-On**



**SLIC**

- Used to create a smooth, rounded inside corner
- The 3/4" radius trim is suitable for 1/2" or 5/8" drywall

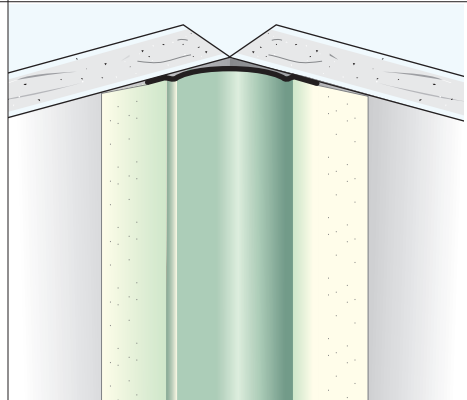
**Offset Inside Corner, Tape-On Trim**



**B2 OS**

- Designed for a 135° offset angle on inside corners
- For use on any thickness of wallboard

**3/4" Bullnose Offset Inside Corner, Tape-On**



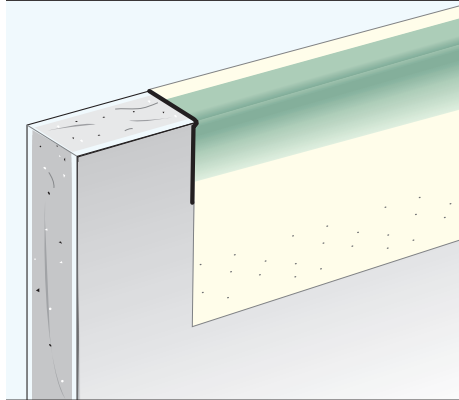
**SLIC OS**

- For 135° inside offset corners
- Creates a straight inside cove

# Components

## Outside Edge Trim

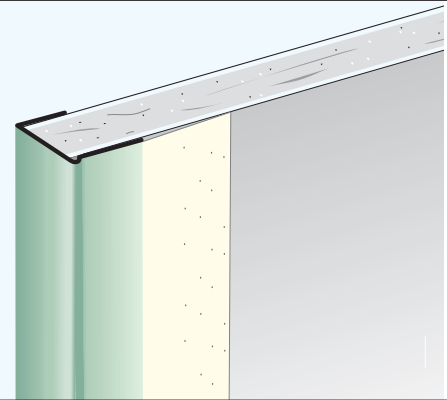
**"L" Shaped Tape-On Trim**



**B4 Series**

- Use where wallboard abuts suspended ceilings, beams, plaster, masonry, and concrete walls, as well as untrimmed door and window jambs

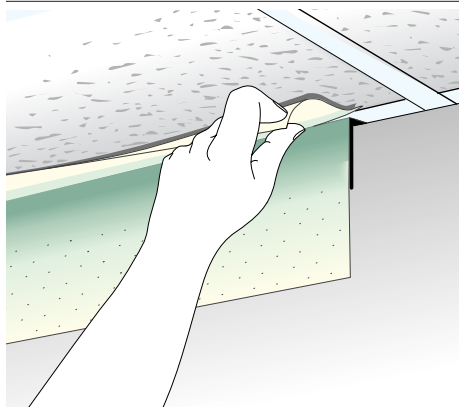
**"J" Shaped Tape-On Trim**



**B9**

- Completely surrounds the rough edge of the wallboard, providing a strong and clean corner
- Tape-on application eliminates frustration with nailing and nail shrink-back
- Finishing off bifold closet doors, as well as under all door and window encasements, and finishing rough drywall ends

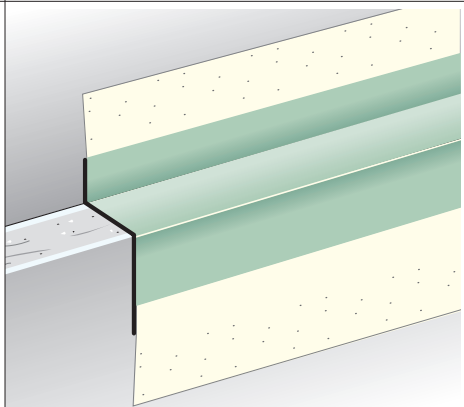
**Premasked "L" Shaped Tape-On Trim**



**Premasked L**

- Serrated, tear-away paper strip keeps adjoining surfaces clean
- Tapes on quickly and easily with joint compound

**Reveal Tape-On Trim**



**Reveal NB**

- Paper flange on both trim legs eliminates the need to caulk the edge of reveal details
- Modified tape-on "L" trim solves a variety of problems associated with reveal details on soffits, wall areas, ceilings, lightboxes, and other interior architectural components

# Performance Selector

The table below details SHEETROCK Brand Texture product information for interior walls and ceilings.




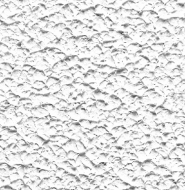



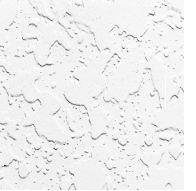
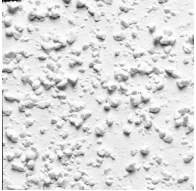
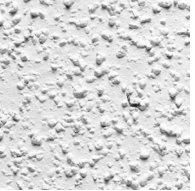
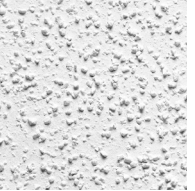
Walls	Ceilings	Finish/Pattern	Texture Products	Application Method	Coverage <sup>a</sup>	Finish Coat of Paint	Level <sup>b</sup>
•	•	Fine Sand Finish	SHEETROCK Brand Wall & Ceiling Spray Texture (Sand Finish Texture 12)	spray	to 35 sq. ft./lb.	topcoat required	4
			SHEETROCK Brand Wall & Ceiling Texture Paint (Texolite Sanded Paste Stipple)	roller or brush or spray	to 200 sq. ft./gal.	not required	4
			SHEETROCK Brand Wall & Ceiling Texture Paint (Sand Finish Texture 1)	roller or brush or spray	to 200 sq. ft./gal.	not required	4
•	•	Stomp or Crowfoot	SHEETROCK Brand Wall & Ceiling Texture (Multipurpose)	roller or spray, then brush	10-20 sq. ft./lb.	topcoat required	4
			SHEETROCK Brand TUF-TEX Wall & Ceiling Texture	roller or spray, then brush	10-20 sq. ft./lb.	topcoat required	4
•	•	Swirl	SHEETROCK Brand Wall & Ceiling Texture (Multipurpose)	roller or spray, then brush	10-20 sq. ft./lb.	topcoat required	4
			SHEETROCK Brand TUF-TEX Wall & Ceiling Texture	roller or spray, then brush	10-20 sq. ft./lb.	topcoat required	4
•	•	Stipple	SHEETROCK Brand Wall & Ceiling Texture (Multipurpose)	roller or spray, then roller	10-20 sq. ft./lb.	topcoat required	4
			SHEETROCK Brand TUF-TEX Wall & Ceiling Texture	roller or spray, then roller	10-20 sq. ft./lb.	topcoat required	4
•	•	Fine Orange Peel	SHEETROCK Brand Wall & Ceiling Texture (Multipurpose)	spray	10-40 sq. ft./lb.	topcoat required	4
			SHEETROCK Brand Wall & Ceiling Spray Texture (Unaggregated)	spray	20-40 sq. ft./lb.	topcoat required	4
			SHEETROCK Brand TUF-TEX Wall & Ceiling Texture	spray	20-40 sq. ft./lb.	topcoat required	4
•	•	Orange Peel	SHEETROCK Brand Wall & Ceiling Spray Texture (Unaggregated)	spray	20-40 sq. ft./lb.	topcoat required	4
			SHEETROCK Brand TUF-TEX Wall & Ceiling Texture	spray	20-40 sq. ft./lb.	topcoat required	4
			SHEETROCK Brand Ready Mixed Wall & Ceiling Spray Texture	spray	to 200 sq. ft./gal.	topcoat required	4
•	•	Spatter	SHEETROCK Brand Wall & Ceiling Spray Texture (Unaggregated)	spray	10-25 sq. ft./lb.	topcoat required	3
			SHEETROCK Brand TUF-TEX Wall & Ceiling Texture	spray	10-25 sq. ft./lb.	topcoat required	3
			SHEETROCK Brand Ready Mixed Wall & Ceiling Spray Texture	spray	to 100 sq. ft./gal.	topcoat required	4
•	•	Knockdown	SHEETROCK Brand Wall & Ceiling Spray Texture (Unaggregated)	spray, then trowel	10-25 sq. ft./lb.	topcoat required	3
			SHEETROCK Brand TUF-TEX Wall & Ceiling Texture	spray, then trowel	10-25 sq. ft./lb.	topcoat required	3
			SHEETROCK Brand Ready Mixed Wall & Ceiling Spray Texture	spray, then trowel	to 100 sq. ft./gal.	topcoat required	3
•	•	Sound-Rated Acoustic	USG Acoustical Plaster Finish	spray	1/2-3 sq. ft./lb.	not required	3
•	•	Coarse Aggregated	SHEETROCK Brand Ceiling Spray Texture (QT Polystyrene Coarse)	spray	8-10 sq. ft./lb.	not required	3
•	•	Medium Aggregated	SHEETROCK Brand Ceiling Spray Texture (QT Polystyrene Medium)	spray	8-10 sq. ft./lb.	not required	3
•	•	Fine Aggregated	SHEETROCK Brand Ceiling Spray Texture (QT Polystyrene Fine)	spray	8-10 sq. ft./lb.	not required	4
			SHEETROCK Brand Ceiling Spray Texture (QT Perlite Fine)	spray	8-10 sq. ft./lb.	not required	4

## Notes

(a) "Coverage" provides a relative comparison between products applied according to directions; not recommended for job estimating. Coverage can vary widely depending on substrate conditions, mixing proportions, application procedures, and desired texture appearance. (b) Recommended minimum level of gypsum board finish. Apply all texture products over a surface prepared to the level of finish specified in GA-214, *Levels of Gypsum Board Finish*. Prime substrate with SHEETROCK Brand First Coat flat latex wall paint.

# Finish and Color Selector

## Texture Finishes

<b>Fine Sand</b>	<b>Stomp or Crowsfoot</b>	<b>Swirl</b>	<b>Stipple</b>
			
<b>Fine Orange Peel</b>	<b>Orange Peel</b>	<b>Spatter</b>	<b>Knockdown</b>
			
<b>Coarse Aggregated</b>	<b>Medium Aggregated</b>	<b>Fine Aggregated</b>	
			

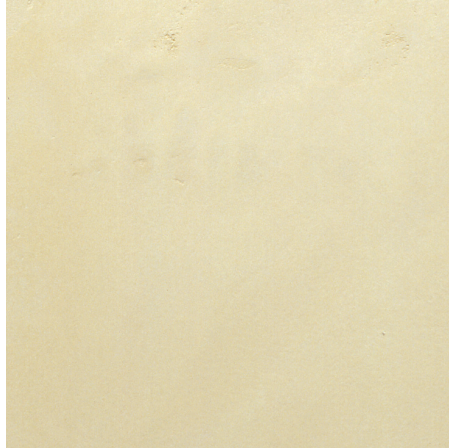
## DIFS COLORTREND AMBIENCE System

<b>Harvest Flame</b>	<b>Straw Stack</b>	<b>Comfy Tan</b>	<b>Tapestry Beige</b>
			
<b>Tracking Tan</b>	<b>Stair Step</b>	<b>Saddle Tan</b>	<b>Cider Brown</b>
			
<b>Footprint</b>	<b>Rose Breath</b>	<b>Pine Bud</b>	<b>Cacti Blue</b>
			

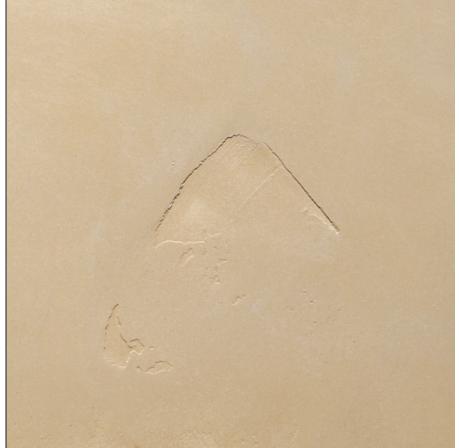
# Texture Selector

**DIFS Texture  
Finishes**

**Semi Smooth Texture**



**Medium Texture**



**Heavy Texture**



# Application Guide

## Specifications

This guide is provided to assist you in specification of USG products. If you have additional questions or would like more information regarding this or other USG products and systems, please contact USG at 800.USG.4YOU.

### Part 1: General

<b>1.1 Scope</b>	Specify to meet project requirements.
<b>1.2 Qualifications</b>	All materials, unless otherwise indicated, shall be applied in accordance with its current printed directions.
<b>1.3 Submittals</b>	Upon request, the contractor shall provide samples prepared in advance with the specified materials which, when approved, shall be the standards of finish to be provided on this project.
<b>1.4 Delivery and Storage of Materials</b>	<p><b>A.</b> All materials shall be delivered in their original unopened containers bearing the manufacturer's name, brand name, and directions for use.</p> <p><b>B.</b> All containers shall be kept tightly closed when in storage, stored at moderate temperatures, and protected from damage by tampering and exposure to the elements.</p>
<b>1.5 Environmental Conditions</b>	During cold weather, thermostatically controlled heat shall be provided to maintain 55 °F minimum temperature during and after application until building is occupied. Unvented gas or oil heaters shall not be used to provide heat. Adequate ventilation shall be provided at all times for proper drying.
<b>1.6 Limitations</b>	<p>It is estimated that 75% of interior finish failures are due to neglected or improper preparation before the finish container was opened. The most common causes of finish problems on interior surfaces are:</p> <ul style="list-style-type: none"><li>– Base surface not dry</li><li>– Surface improperly cleaned and patched</li><li>– Variable suction in the base</li><li>– Failure to use proper treatment for different surfaces, conditions, and finishes.</li></ul> <p>Satisfactory results with these finish products, as with all finishes, depend upon good job practices:</p> <ol style="list-style-type: none"><li>1. Surfaces to be finished must be clean, dry, sound; free of grease, oil, wax, dust, and other foreign matter; free of flaking, crumbling, and chalking conditions; must be properly prepared.</li><li>2. Before texturing, apply a prime coat of SHEETROCK Brand First Coat or a good quality, white interior latex flat wall paint with high solids content. Texturing over previously painted, textured or stained substrates requires application(s) of a stain-blocking sealer to obtain uniform color and minimize stain migration through to decorated surface.</li><li>3. Atmospheric and structural temperatures must be 55 °F minimum during and after application (until building is occupied). Unvented gas or oil heaters should not be used. Provide adequate ventilation at all times for proper drying.</li><li>4. New unpainted plaster (except veneer plaster), stucco, poured concrete, patches in masonry surfaces must age 60 days minimum prior to texture application.</li><li>5. Application of textures to walls below grade or to pool areas is not recommended.</li><li>6. SHEETROCK Brand QT Ceiling Spray Texture is not recommended for high-humidity areas, such as kitchens and bathrooms. Other textures in kitchens and baths should be painted.</li></ol>



# Application Guide

## Specifications

7. Heavy water-based textures may result in sagging of gypsum board ceilings under these conditions: high heat and humidity, improper ventilation, and/or board application to framing and insufficient board thickness for span between supports. Application of a primer equalizes surface porosity and provides a uniform color. Primers are not intended to reduce sag potential.

When using water-based textures, refer to the following table:

Board Thickness <sup>a</sup>		Application Method	Maximum Frame Spacing o.c.	
inch	mm	(Long edge relative to frame)	inches	mm
3/8	9.5	not recommended	—	—
1/2	12.7	perpendicular only	16 <sup>b</sup>	406
1/2 <sup>b</sup>	12.7 <sup>b</sup>	perpendicular only <sup>b</sup>	24 <sup>b</sup>	610
5/8	15.9	perpendicular only	24	610

8. COVER COAT Compound Limitations: Not to be applied on moist surfaces or surfaces likely to become moist (by condensation or otherwise); on ceiling areas below grade; on surfaces that project outside the building; or on other areas that might be subject to moisture, freezing, efflorescence, pitting, or popping. More limitations are stated in specification sheets and on container labels.

## Part 2: Products

### 2.1 Materials

Specify surface treatment and finish materials from product descriptions and Performance Selector in this piece.

### 2.2 Mixing and Equipment

Mix texture finish products with water only as directed by manufacturer. Do not overdilute. Use equipment of a size and type to assure acceptable results.

## Part 3: Execution

Note to architect: Where more detailed specification is desired, select from applicable product submittal sheet.

### 3.1 Surface Preparation

All surfaces, including joint compound applications, filling treatments, and patching treatments, shall be dry, clean, and sound. Dull or roughen any glossy surfaces. Prime metal surfaces with a rust-inhibitive primer. Fill and seal any exposed wood surfaces.

New unpainted plaster (except veneer plaster), stucco, poured concrete, and new concrete patches must age 60 days minimum prior to primer and texture application.

For concrete surfaces, remove form oils or parting materials, efflorescence, grease, and other deposits from concrete surfaces. Finish patched or repaired areas to provide a uniform texture and surface. Grind down any ridges or other protrusions resulting from forms or other causes to the same level as adjacent surfaces; remove all grinding sludge or

#### Notes

(a) Double layer laminated. 3/4" or greater total thickness—24" o.c. (b) 1/2" SHEETROCK Brand Interior Gypsum Ceiling Board provides the strength and sag resistance of 5/8" standard board without the added thickness.

---

dust. Fill cracks and holes and level any offsets and voids to the same level as adjacent surfaces with a SHEETROCK Brand DURABOND Joint Compound, SHEETROCK Brand EASY SAND Lightweight Setting-Type Joint Compound or USG COVER COAT Compound. Apply in as many coats as are needed to provide a crack-free fill without edge joinings that show through decoration. Exercise special care to provide a smooth surface, free of irregularities, in areas that will be exposed to sharply angled lighting.

In drywall construction, treat joints and fastener heads with a joint system manufactured by United States Gypsum Company, following manufacturer's instructions. Smooth and fill any scratches or scuffs in gypsum drywall surfaces.

When all surfaces are prepared and dry, apply a full coat of SHEETROCK Brand First Coat or a good-quality, undiluted white interior latex flat wall paint with high solids content over entire surface. Allow to dry.

**Redecorating Previously Painted Surfaces**—Lightly sand to dull any sheen and develop “tooth” for good bond. Wash surface with a strong detergent from the bottom up to remove any dust, dirt, or sheen. A strong solution of TSP (trisodiumphosphate) works best. Follow manufacturer's directions on the container. Prime the surface with a stain-blocking sealer and let dry before applying a texture.

**Redecorating Previously Textured Surfaces**—An aged textured ceiling or sidewall should be painted only after the surface has been primed with a stain-blocking sealer to prevent leaching of any stains that may have absorbed into the texture over time (check manufacturer's literature for stain containment instructions). **Wall Textures**—Use roller, spray, or brush to repaint wall texture finishes. All surface preparations for texturing must be followed, including a stain-blocking sealer. SHEETROCK Brand QT Ceiling Spray Texture — Best results are obtained if the paint is spray applied. If rolled, use a long nap paint roller with 1/2" to 3/4" nap depending on the texture pattern. Brush application of paint over an aggregated ceiling texture is not recommended. An aged ceiling textured with SHEETROCK Brand QT Ceiling Spray Texture may be resprayed with additional texture to cover cracks and blemishes and to brighten and rejuvenate the ceiling. All surface preparation instructions for texturing must be followed, including application of a stain-blocking sealer. (See publications J378, J614, and J616.)

---

### 3.2 Application

Apply at a coverage rate not to exceed directions printed on container. Apply material to blend uniformly and cover fully without starved spots or other evidence of thin application. Provide uniform texture without application patterns. Remove any texture droppings or overspray from walls, windows, and floor, leaving room clean for following trades.

**About the cover:**

**Project**

**Phillips Plastics Custom Molding Facility**

**Phillips, WI**

**Recipient of the 2001**

**Business Week/Architectural Record Award**

**Architects**

**Krueck and Sexton Architects**

**Chicago, IL**

**Photographer**

**©Mariusz Mizera**



**Technical Service**

800 USG.4YOU

**Web Site**

[www.usg.com](http://www.usg.com)

**Samples/Literature**

888 874.2450

**Samples/Literature E-mail**

[samplit@usg.com](mailto:samplit@usg.com)

**Samples/Literature/Fax**

888 874.2348

**Customer Service**

800 950.3839

**Metric Specifications**

USG Corporation, through its operating subsidiaries, will provide metric conversions on its products and systems to help specifiers match metric design sizes. In addition, some products are available in metric dimensions from selected manufacturing plants. Refer to SA100, *Fire-Resistant Assemblies*, for additional information and a Table of Metric Equivalents.

**Trademarks**

The following trademarks used herein are owned by United States Gypsum or a related company: COVER COAT, DIAMOND, DURABOND, EASY SAND, IMPERIAL, MIDWEIGHT, PLUS 3, RED TOP, SHEETROCK, TEXOLITE, TUFF-HIDE, TUF-TEX, USG.

**Notice**

We shall not be liable for incidental and consequential damages, directly or indirectly sustained, nor for any loss caused by application of these

goods not in accordance with current printed instructions or for other than the intended use. Our liability is expressly limited to replacement of defective goods. Any claim shall be deemed waived unless made in writing to us within thirty (30) days from date it was or reasonably should have been discovered.

**Note**

All products described here may not be available in all geographic markets. Consult your local sales office or representative for information.

**Safety First!**

Follow good safety and industrial hygiene practices during handling and installation of all products and systems. Take necessary precautions and wear the appropriate personal protective equipment as needed. Read material safety data sheets and related literature on products before specification and/or installation.

