



USG TRUE® WOOD GRILLES

INSTALLATION GUIDE

USG True® Wood Modular Grilles, Custom
Finish: White Oak, Custom
Vertical Wood Wall, by Others
Medical Mutual Offices in Brooklyn, OH
Architect: Bialosky Architects
Photo: ©Christian Phillips Photography

USG  **CGC**
IT'S YOUR WORLD. BUILD IT.®

USG TRUE® WOOD GRILLES

INTRODUCTION

3 System Overview

INSTRUCTIONS

4 Components

8 USG True Wood Lay-in Grilles Installation

11 USG True Wood Modular Grilles Installation

FOR MORE INFORMATION

Technical Service

800 USG.4YOU (874-4968)

Website

usg.com or cgcinc.com

SYSTEM OVERVIEW

WARRANTY

The USG True® Wood Grilles system has been tested based on the installation procedures described in this document. Failure to follow these installation instructions and guidelines will result in the voidance of the USG Ceilings Commercial Application Warranty (SC2102).

INSTALLATION REQUIREMENTS

The USG True® Wood Grilles system requires minimum plenum clearance above the system installation. Following the recommended installation instructions and guidelines, installation does not require the components enter the plenum space more than a typical suspended ceiling installation.

CLEANING INSTRUCTIONS

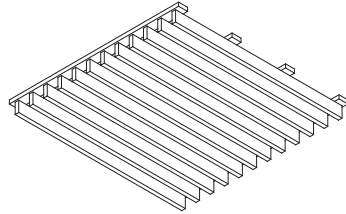
Refer to USG Wood Ceiling Panels Handling Guide IC5449.

COMPONENTS

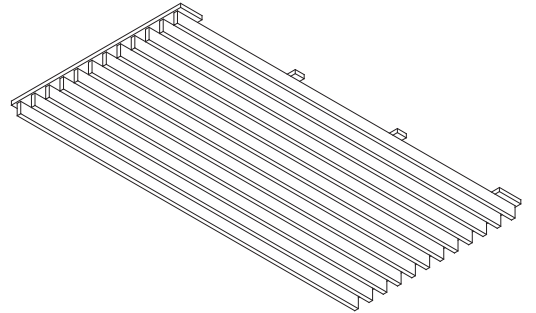
TRUE® WOOD LAY-IN GRILLES

COMPONENTS

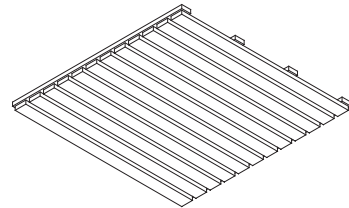
Vertical Orientation, 2'x2'



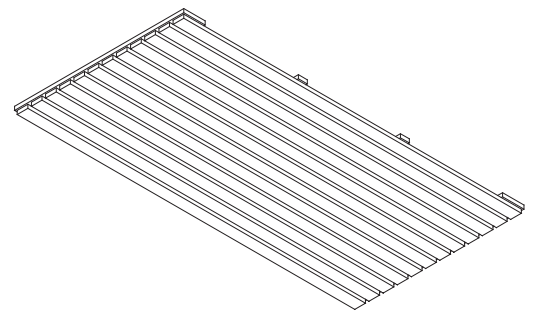
Vertical Orientation, 2'x4'



Horizontal Orientation, 2'x2'

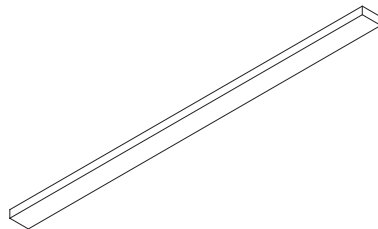


Horizontal Orientation, 2'x4'

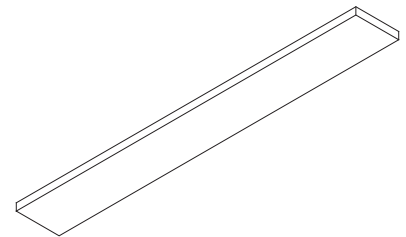


ACCESSORIES

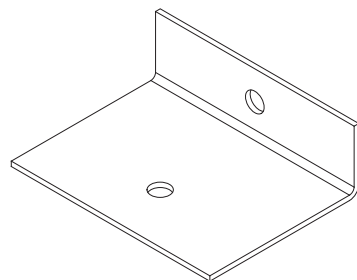
Batten (1-1/4" Width, 23-3/4" Length)



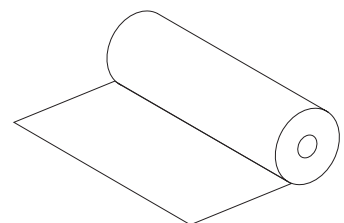
Batten (3" Width, 23-3/4" Length)



Panel Fixing Bracket (PFB)



Felt Backer, (1 mm thick, 24" width x 300 feet)



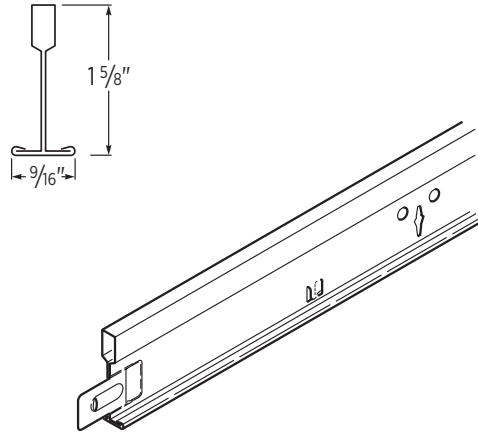
COMPONENTS

TRUE® WOOD LAY-IN GRILLES

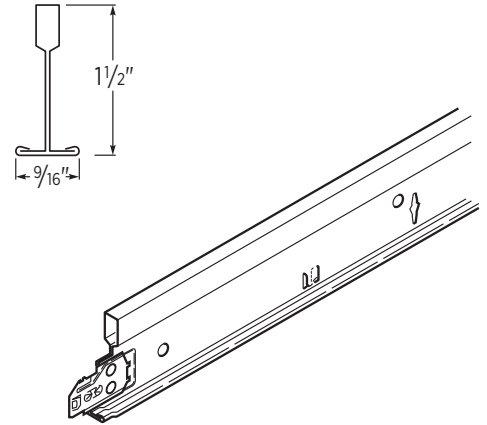
SUSPENSION SYSTEM

9/16" Grid

Intermediate or Heavy Duty DXT Main Tee

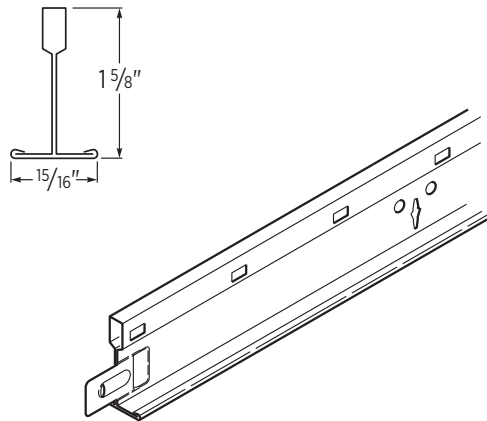


Intermediate or Heavy Duty DXT Cross Tee

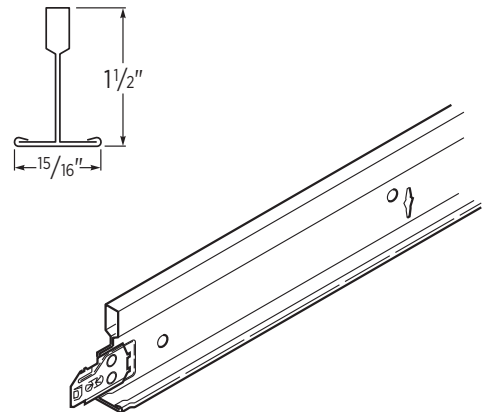


15/16" Grid

Intermediate or Heavy Duty DX/DXL Main Tee



Intermediate or Heavy Duty DX/DXL Cross Tee

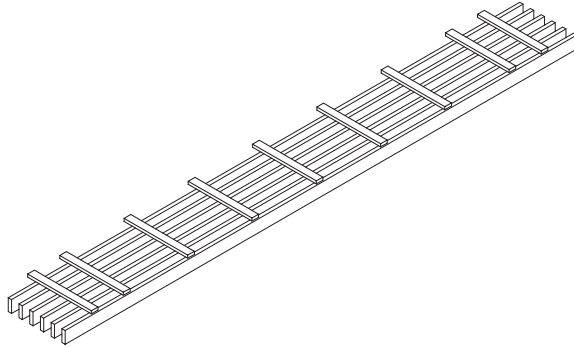


COMPONENTS

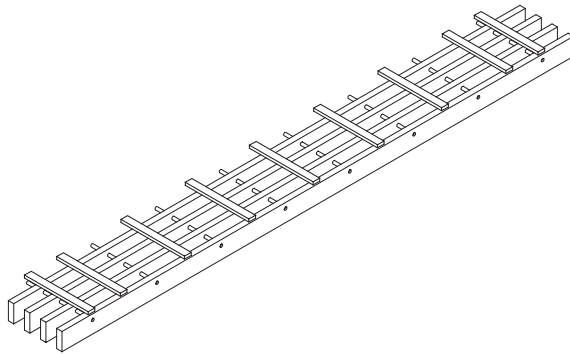
TRUE® WOOD MODULAR GRILLES

COMPONENTS

Batten Only Mounting, 1'x8'

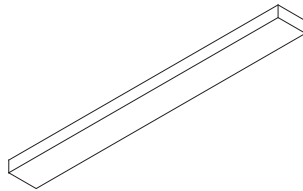


Batten & Dowel Mounting, 1'x8'

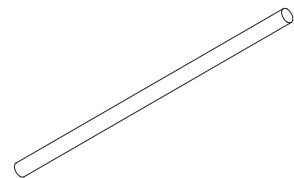


ACCESSORIES

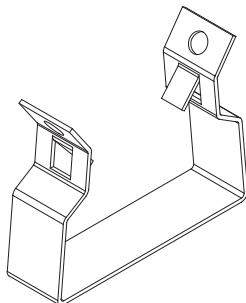
Batten (1-1/4" Width, 11-7/8" Length)



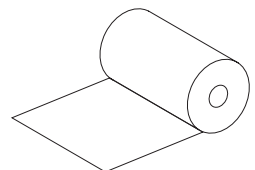
Dowel (1/2" Diameter x 11-7/8" Long)



Mounting Clip



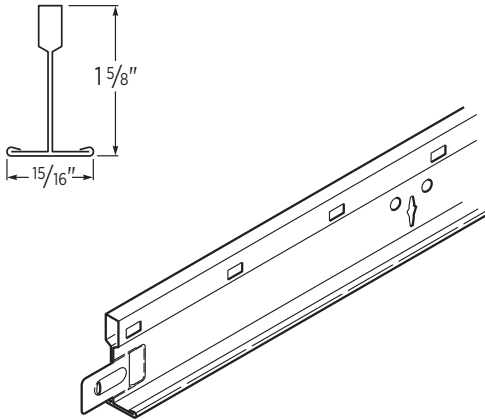
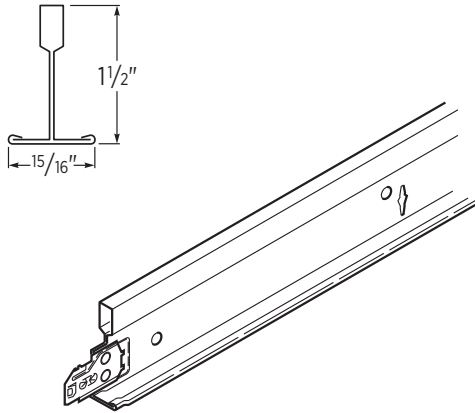
Felt Backer, (1 mm thick, 12" width x 300 feet)



COMPONENTS

TRUE® WOOD MODULAR GRILLES

SUSPENSION SYSTEM

Heavy Duty DX/DXL Main Tee	Heavy Duty DX/DXL Cross Tee
	

USG TRUE® WOOD LAY-IN GRILLES

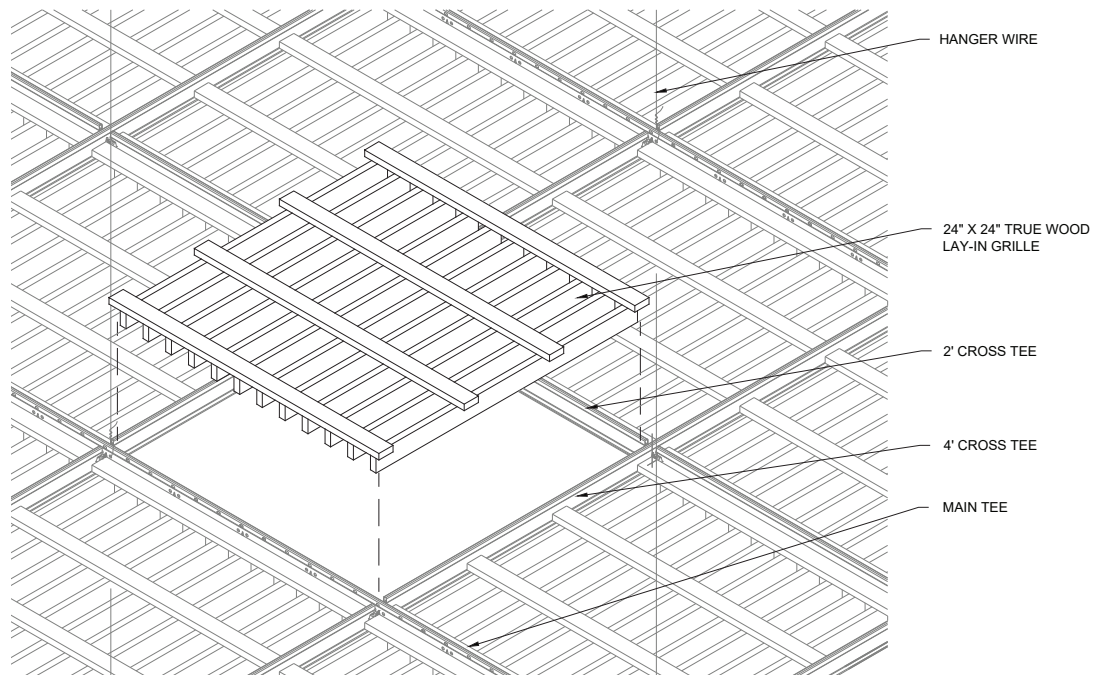
GRID SYSTEM

USG True® Wood Lay-In Grilles install within 2x2 or 2x4 grid modules with either Intermediate Duty or Heavy Duty USG Donn® Brand suspension systems. Grid to be level and square and supported with a minimum of 12-gauge hanger wire. Black cap grid is recommended since the grid will be visible from below.

USG True® Wood Lay-in Grilles are designed to work with both 9/16" and 15/16" grid profiles. Please select the appropriate Lay-in Grille panel as slat spacing and panel reveals vary due to grid width.

Recommended perimeter wall molding when using 9/16" grid profiles is M9 angle molding. When using 15/16" grid profiles it is recommended to use M7 angle molding.

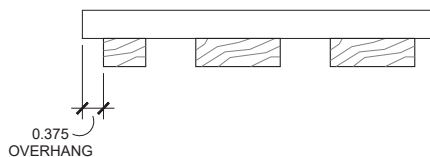
For seismic installations use Heavy Duty Donn® Brand Grid and the appropriate wall molding attachment. Refer to USG Suspended Ceiling Seismic Assemblies, SC2233 for additional information.



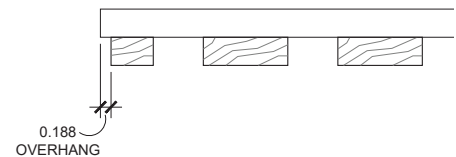
TRUE® WOOD LAY-IN GRILLE PANELS

The edge profile for True® Wood Lay-in Grille panels is created by the batten strips extending past the wood slats. The batten strips will rest on the grid flange while the slats will hang below the grid line. **For 9/16" grid profiles the battens extend 3/16". For 15/16" grid the battens will extend 3/8".** Use of the incorrect grid type with the incorrect grille will result in a gap that is inconsistent and easy observed from below.

Lay-In Grille for 15/16" Grid System



Lay-In Grille for 9/16" Grid System

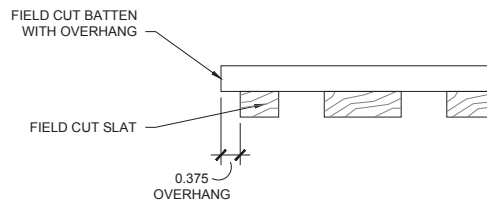


USG TRUE® WOOD LAY-IN GRILLES

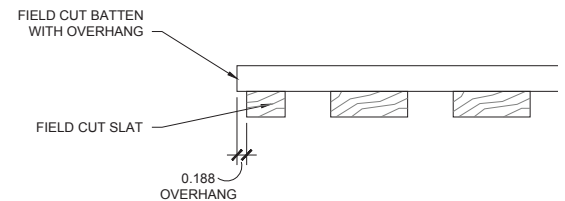
FIELD MODIFICATIONS TO USG TRUE® WOOD LAY-IN GRILLES

Where field modifications are needed use a fine-tooth wood cutting blade in a circular saw, jig saw, or band saw to cut grille panels. It may be necessary to cut the battens (which hold the slats together), the slats, or both.

Lay-In Grille for 15/16" Grid System



Lay-In Grille for 9/16" Grid System



To shorten the USG True® Wood Lay-In Grille:

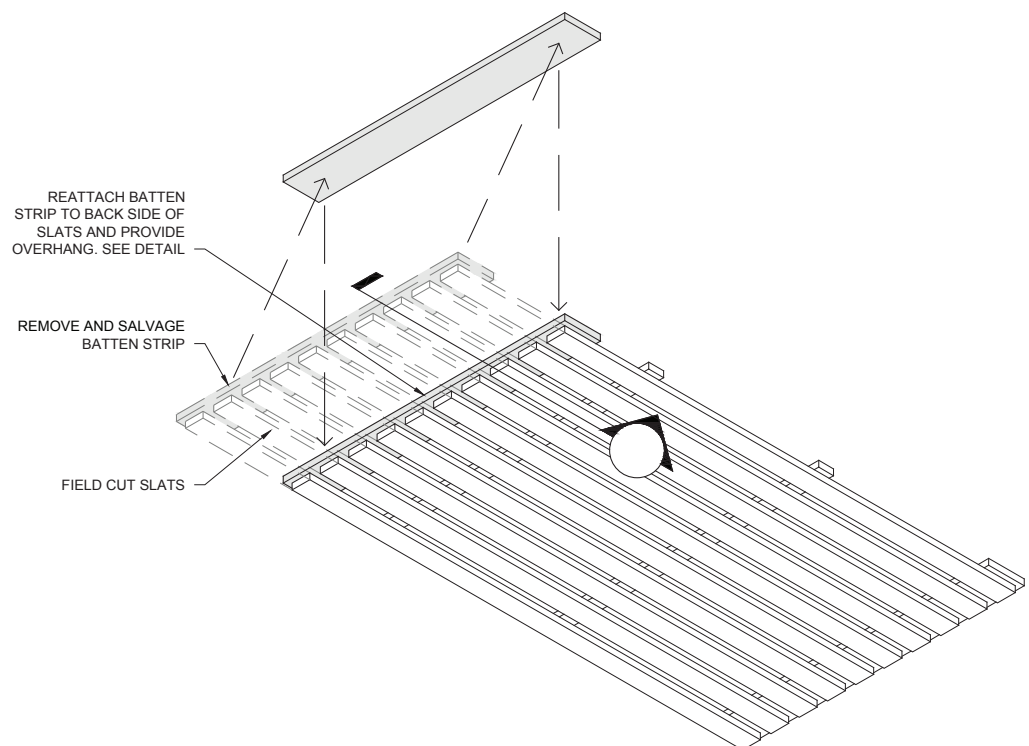
To cut perpendicular to the slats, all batten strips should be left in place to maintain rigidity to the panels while cutting. If the cut line falls on a batten strip, install a temporary batten adjacent to the one on the cut line.

Removal of battens can be done by prying the battens and staples free. Use caution and not pry on the visible faces of the slats to avoid damage.

Detach the batten strip from the end of the field cut section and reattached to the newly modified panel using an air powered staple gun. For 2x4 panels reuse the larger 3" wide end battens. For 2x2 panels the narrower battens are acceptable for reuse.

When reattaching the batten strips the edge overhang should be recreated. **For 9/16" grid profiles the battens extend 3/16". For 15/16" grid the battens will extend 3/8".**

Finish all exposed slat ends with matching sealer or stain (supplied with each order) as required.



USG TRUE® WOOD LAY-IN GRILLES

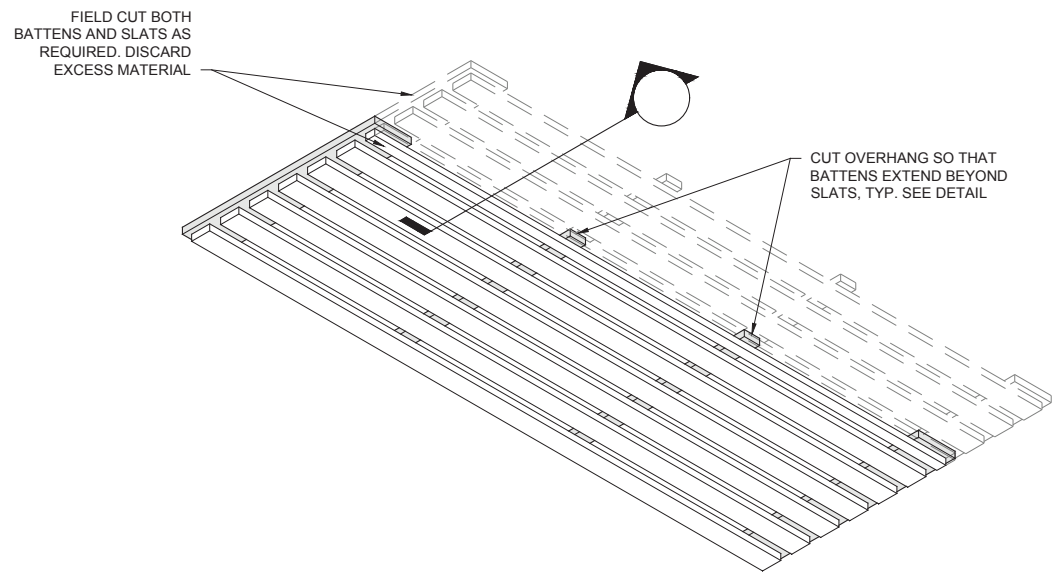
FIELD MODIFICATIONS TO USG TRUE® WOOD LAY-IN GRILLES

To narrow the USG True® Wood Lay-In Grille:

To cut parallel to the slats, all batten strips should be left in place to maintain rigidity to the panels while cutting. If the cut line falls on a slat, remove the slat and all staples fastening the batten to the slat.

Removal of slats can be done by prying the slat from the batten strips. Use caution and not pry on the visible faces of the slats to avoid damage.

Cut the batten strips to the desired length ensuring that the edge overhang is recreated. For 9/16" grid profiles the battens extend 3/16". For 15/16" grid the battens will extend 3/8".



USG TRUE® WOOD MODULAR GRILLES

GRID SYSTEM

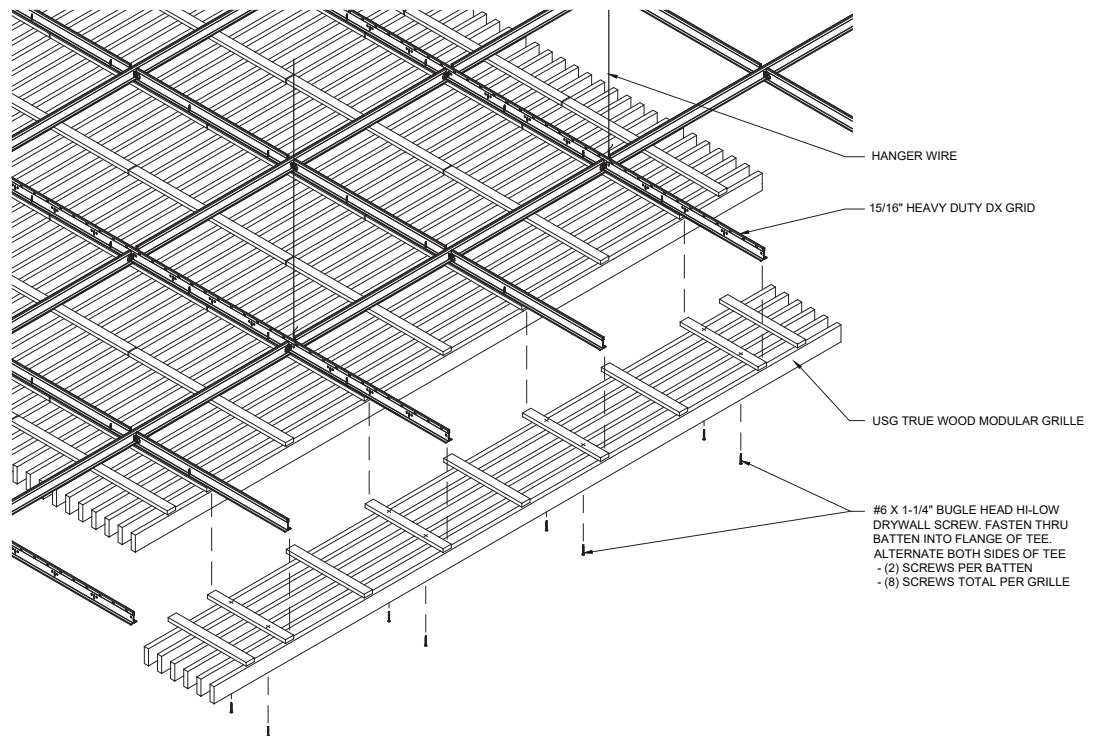
USG True® Wood Modular Grilles to be installed with Heavy Duty USG Donn® Brand DX®/DXL® 15/16" suspension system. Grid to be level and square and supported with a minimum of 12-gauge hanger wire. Black cap grid is recommended since the grid may be visible from below.

Recommended perimeter wall molding is M7 angle molding.

For seismic installations use Heavy Duty Donn® Brand DX®/DXL® 15/16" grid and the appropriate wall molding attachment. Refer to USG Suspended Ceiling Seismic Assemblies, SC2233 for additional information.

The grid module is to be 2'x2'. Begin the installation by centering the batten strips with the grid tees.

Main tees must be installed perpendicular to the panel length.

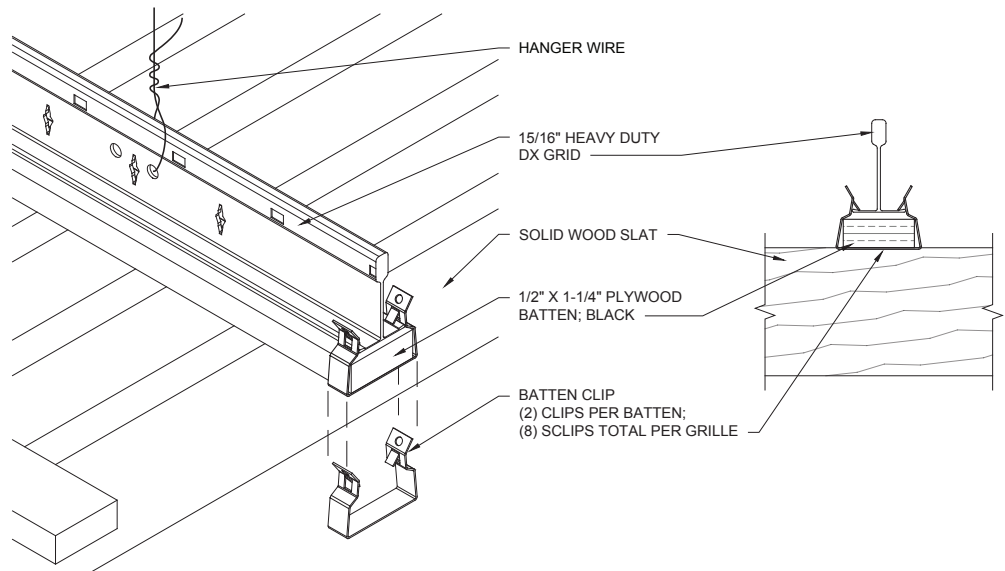
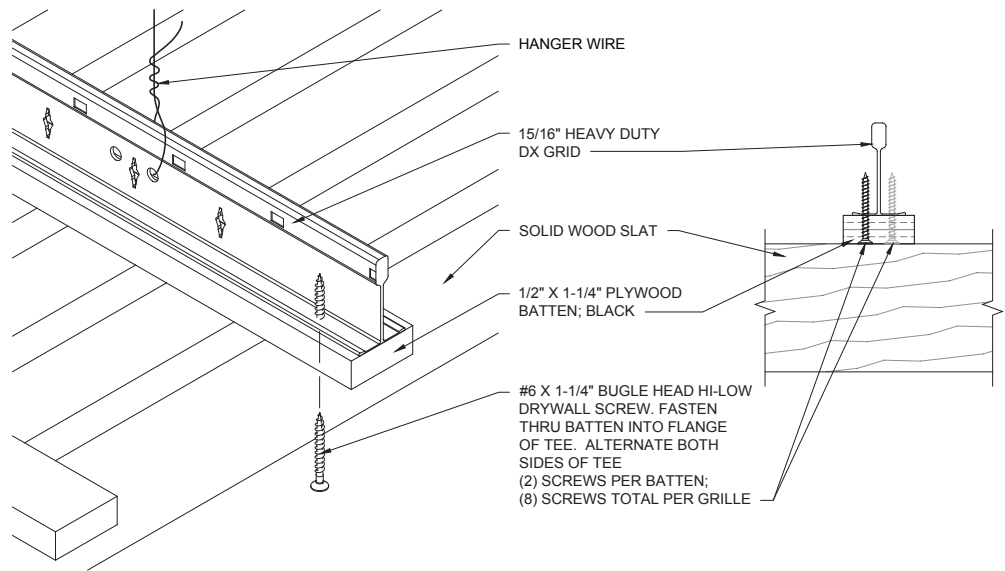


USG TRUE® WOOD MODULAR GRILLES

USG TRUE® WOOD MODULAR GRILLE PANELS

USG True® Wood Modular Grilles are 12" x 96" nominal (11 7/8"x 95 1/2" actual). Battens are placed 6" from either end, and spaced 12" apart for the field of the Modular Grilles.

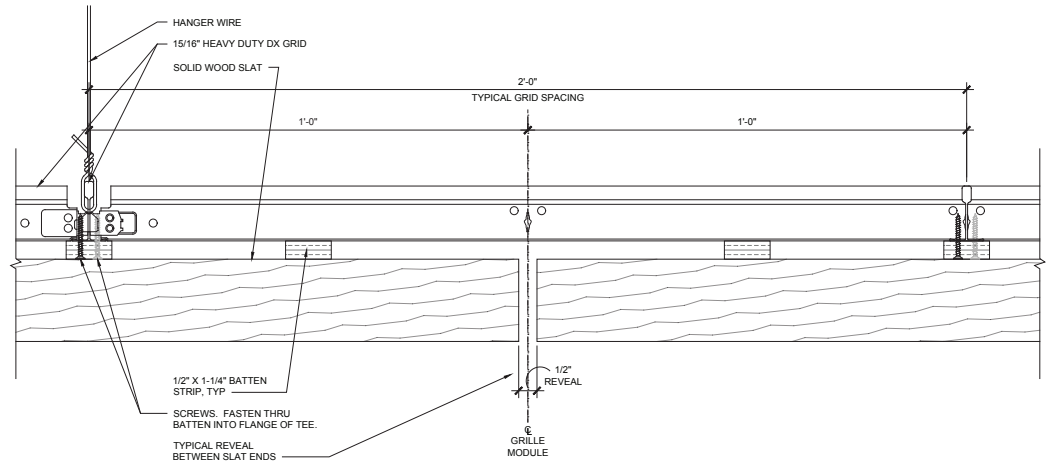
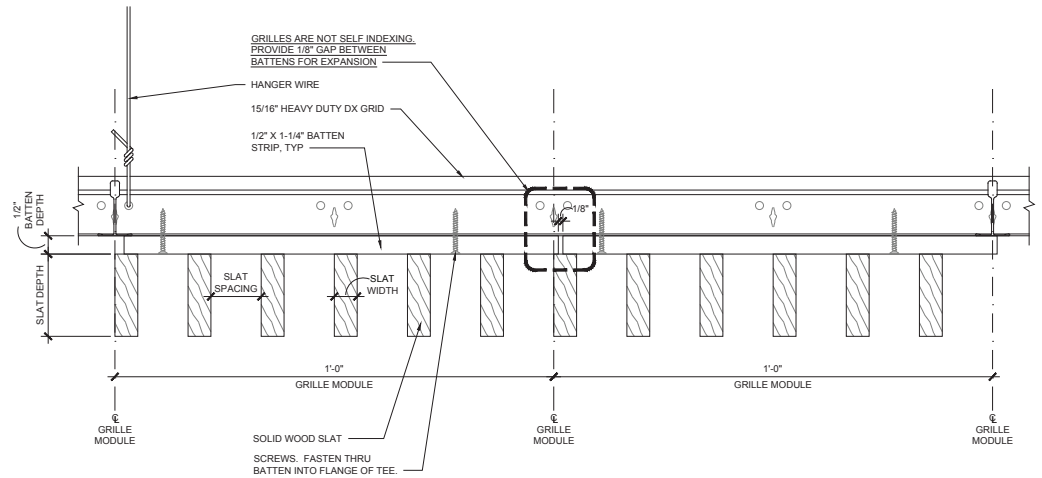
Attach USG True® Wood Modular Grilles to the grid with either a #6 x 1 1/4" Bugle head Hi-Lo thread pointer screw or a modular **Batten Clip**. Batten strips will align with a main tee or cross tee every 24" o.c. Attach with 2 screws or 2 clips per batten. **A total of 8 screws or batten clips should be used for a full-size panel.** For **seismic** applications, screws must be used.



USG TRUE® WOOD MODULAR GRILLES

USG TRUE® WOOD MODULAR GRILLE PANELS

Continue the installation by aligning the next USG True® Wood Modular Grille with previous panel by either lining the batten strips (for panels without dowels) or inserting the dowels into the previous grille panel. Maintain 1/8" between panel batten strips. Attach in the same manner as previous panel. Panels are designed to have a 1/2" gap at the butt ends of the slats. This gap must be maintained to provide grid/batten alignment and to ensure proper performance over time.



USG TRUE® WOOD MODULAR GRILLES

FIELD MODIFICATION OF USG TRUE® WOOD MODULAR GRILLES

Where field modifications are needed use a fine-tooth wood cutting blade in a circular saw, jig saw, or band saw to cut grille panels. It may be necessary to cut the battens (which hold the slats together), the slats, or both.

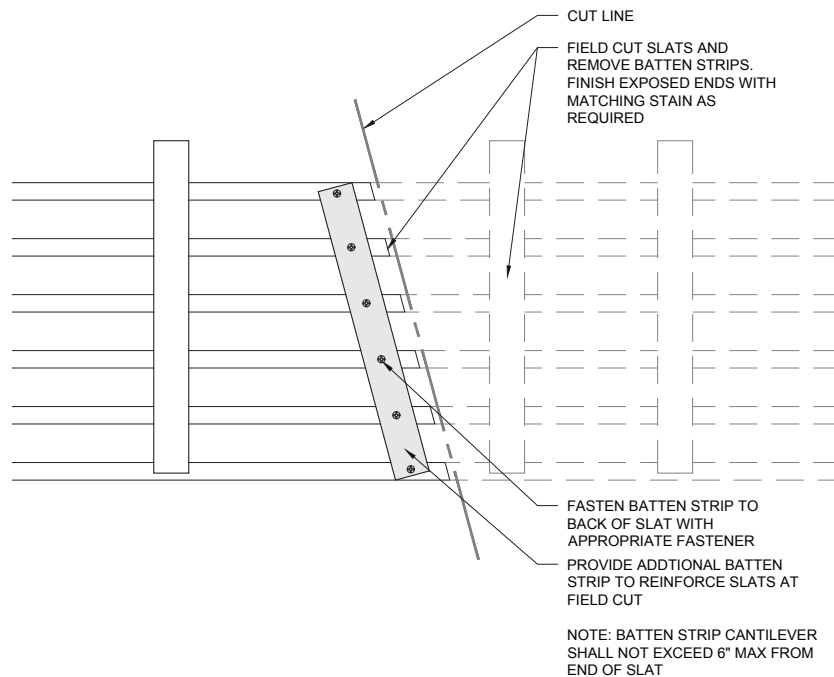
To shorten the USG True® Wood Modular Grille:

To cut perpendicular to the slats, all batten strips should be left in place to maintain rigidity to the panels while cutting. If the cut line falls on a batten strip, install a temporary batten adjacent to the one in the cut line.

Removal of battens can be done by prying the battens and staples free. Use caution and not pry on the visible faces of the slats to avoid damage.

Detach the batten strip 6" from the end of the field cut section and reattached to the newly modified panel using an air powered staple gun. When reattaching the batten strip make sure the maximum cantilever the slat extends past the batten is 6". Maintain a 1/2" gap between grille panels and 1" from walls.

Finish all exposed slat ends with matching sealer or stain (supplied with each order) as required.



To narrow the USG True® Wood Modular Grille:

To cut parallel to the slats, all batten strips should be left in place to maintain rigidity to the panels while cutting. If the cut line falls on a slat, remove the slat and all staples fastening the batten to the slat.

Removal of slats can be done by prying the slat from the batten strips. Use caution and not pry on the visible faces of the slats to avoid damage. Cut the batten strips leaving a 1/8" gap to the adjacent batten strip. Plan for a 1" minimum gap from wall to first slat.

Finish all exposed slat ends with matching sealer or stain (supplied with each order) as required.

Technical Service
800 USG.4YOU

Website
usg.com

Samples/Literature E-mail
samplit@usg.com
866 528.7089

Customer Service
800 950.3839

PRODUCT INFORMATION

Data Page IC715
System Guide IC716

LIMITATIONS

Interior applications only

NOTICE

We shall not be liable for incidental and consequential damages, directly or indirectly sustained, nor for any loss caused by application of these goods not in accordance with current printed instructions or for other than the intended use. Our liability is expressly limited to replacement of defective goods. Any claim shall be deemed waived unless made in writing to us within thirty (30) days from date it was or reasonably should have been discovered.

SAFETY FIRST!

Follow good safety/industrial hygiene practices during installation. Wear appropriate personal protective equipment. Read SDS and literature before specification and installation.

TRADEMARK

The trademarks USG, CGC, DONN, DX, DXL, TRUE, IT'S YOUR WORLD, BUILD IT., the USG logo, the design elements and colors, and related marks are trademarks of USG Corporation or its affiliates.

IC274760/rev 4-22

© 2022, USG Corporation or its affiliates.
All rights reserved.

Notice

The information in this document is subject to change without notice. CGC Inc. or USG Corp. assumes no responsibility for any errors that may inadvertently appear in this document.

Manufactured by
USG Interiors, LLC
550 West Adams Street
Chicago, IL 60661

USG  CGC