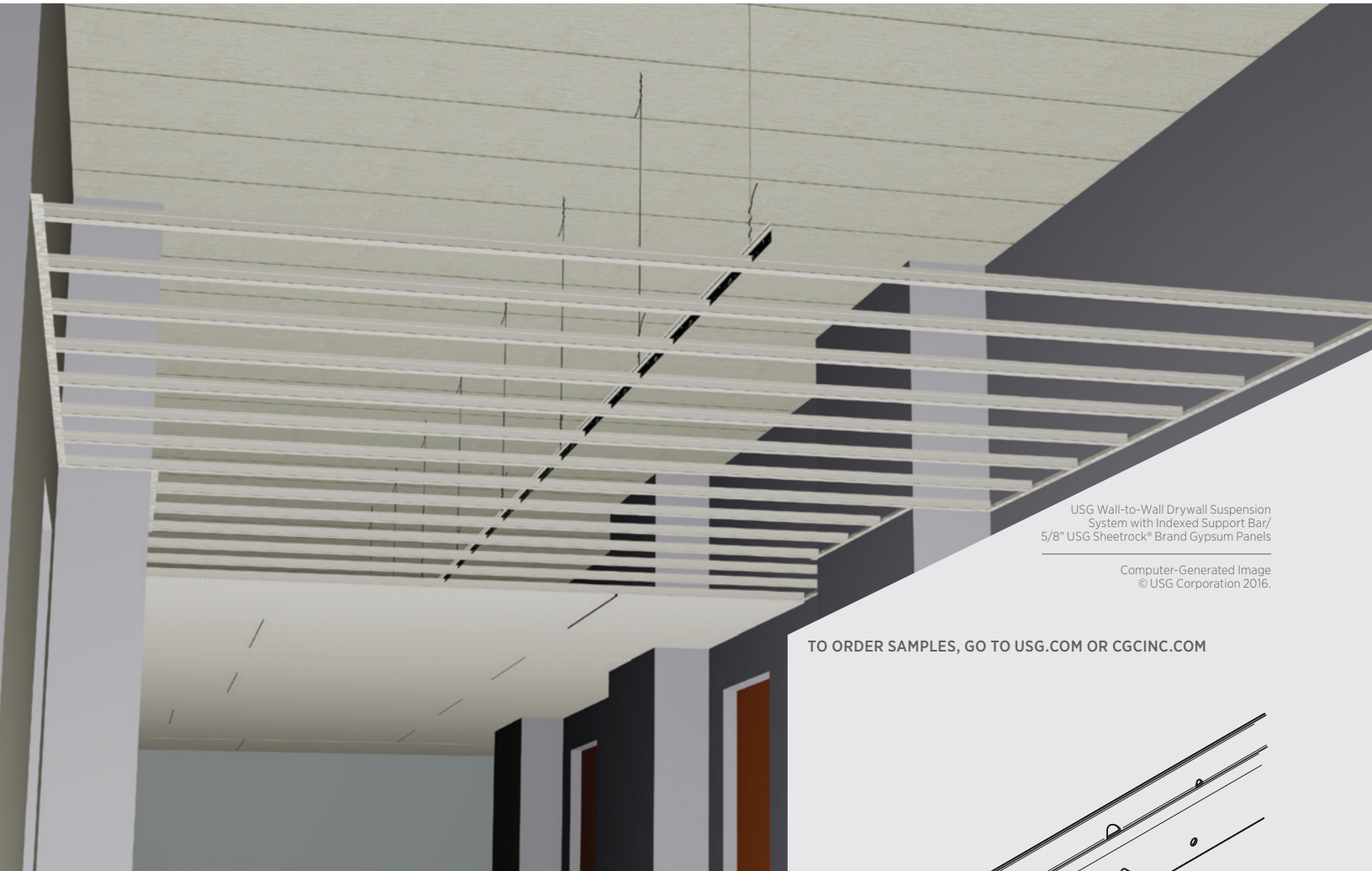


# USG INDEXED SUPPORT BAR

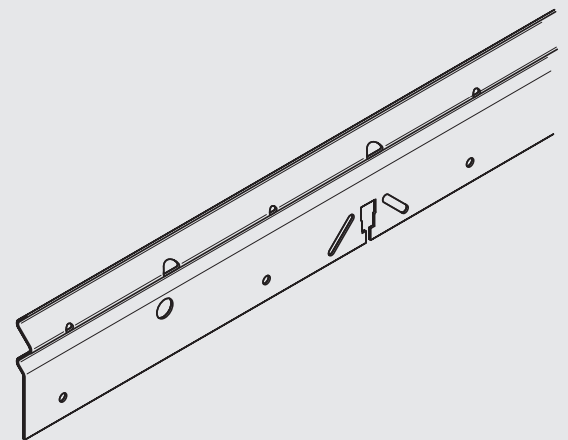
ISB109



USG Wall-to-Wall Drywall Suspension System with Indexed Support Bar/  
5/8" USG Sheetrock® Brand Gypsum Panels

Computer-Generated Image  
© USG Corporation 2016.

TO ORDER SAMPLES, GO TO [USG.COM](http://USG.COM) OR [CGCINC.COM](http://CGCINC.COM)



## FEATURES AND BENEFITS

- For use with USG Drywall Suspension System Wall-to-Wall main tees where spans exceed 7'6" for standard 5/8" or 8'-" for USG Sheetrock Brand EcoSmart 5/8" or standard 1/2" gypsum panels.
- Reduces hanger wires on longer spans that require intermediate support for main tees.
- Indexed notch design provides lateral stabilization during panel installation.
- Minimizes system uplift during panel installation when used with compression posts (can be studs, tees, etc).
- Unique, nesting design allows splicing before or after hanger wires are installed.
- Notch friction fits against main tee keeping ISB in place during installation.
- Cuts easily with snips.

## APPLICATIONS

- Hospitals
- Dormitories
- Hotels
- Multifamily residential
- Corridors

# USG INDEXED SUPPORT BAR

ISB109

ORDER SAMPLES/LITERATURE  
USG: [samplitt@usg.com](mailto:samplitt@usg.com)  
phone: 866 528-7089 | [usg.com](http://usg.com)  
CGC: contact Sales Representative

FOR MOST UP-TO-DATE  
TECHNICAL INFORMATION  
AND LEED REPORT TOOL  
[usgdesignstudio.com](http://usgdesignstudio.com)  
[cgcdesignstudio.com](http://cgcdesignstudio.com)

TECHNICAL SERVICES  
800 USG.4YOU (874-4968)

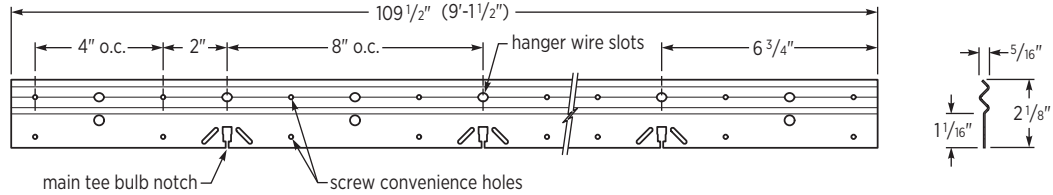


## PROPERTIES

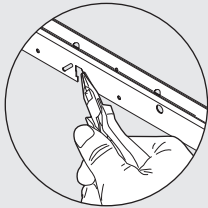
- Support spacing - 48" o.c. (hanger wires or other types such as steel studs or main tees).
- Main tee bulb notches spaced 8" o.c.
- Index notch to main tee pullout strength - 300 lb.
- Min. G40 hot-dipped galvanized steel.

## PROFILE

ISB109

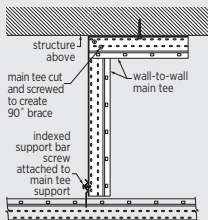


## TYPICAL INSTALLATION



Use pliers to open tab on stabilizer bar, once in place close tab to lock in place.

## RECOMMENDED SUPPORT METHOD



No blub means flush attachment when framing members are used for vertical support.

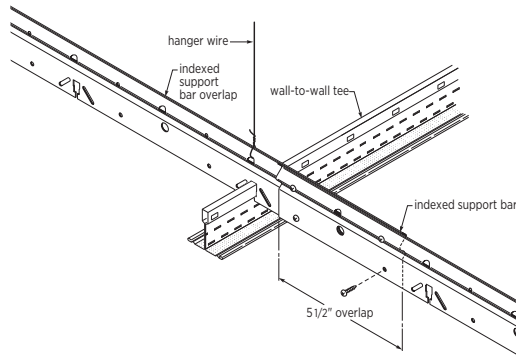
## PHYSICAL DATA/ FOOTNOTES

### Notice

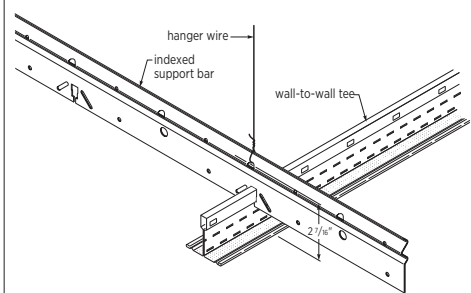
The information in this document is subject to change without notice. CGC Inc. or USG Corp. assumes no responsibility for any errors that may inadvertently appear in this document.

AC3312/rev. 6-21  
© 2021 USG Corporation and/or its affiliates. All rights reserved. Printed in U.S.A.

## Installation with Overlap



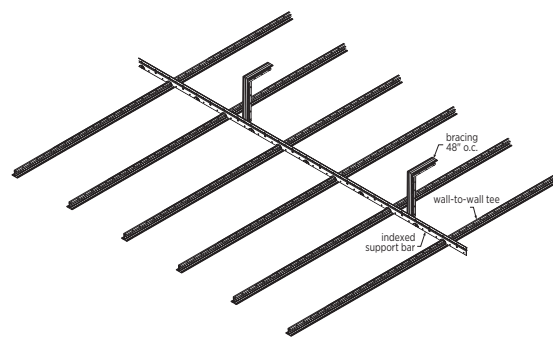
## Hanger Wire Elevation



**Note**  
Main tees must be supported at both ends when hanger wires are used

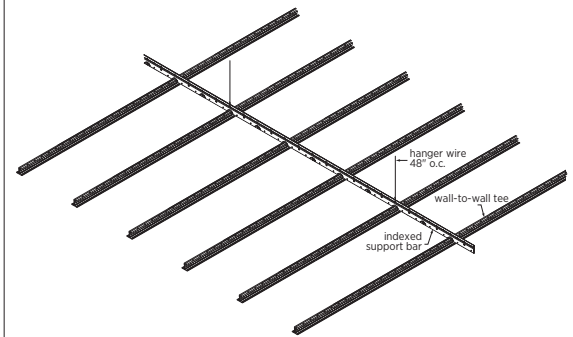
## Vertical Support with Main Tees or Studs (Recommended)

- Bracing 48" o.c.
- Wall-to-wall tee 16" o.c. (typ.)



## Vertical Support with Hanger Wires

- Hanger wire 48" o.c.
- Wall-to-wall tee 16" o.c. (typ.)
- Main tees must be supported at both ends when hanger wires are used.



## Product literature and samples

Data sheet: AC3312  
System brochure: AC3152  
Sample: 200075

## Material

Min. G40 hot-dipped galvanized steel.

## Online tools

[usgdesignstudio.com](http://usgdesignstudio.com) or [cgcdesignstudio.com](http://cgcdesignstudio.com)

## Recycled content

For details, see RC tables or the LEED report tool at [usgdesignstudio.com](http://usgdesignstudio.com) or [cgcdesignstudio.com](http://cgcdesignstudio.com).

## Code compliance

The information presented is correct to the best of our knowledge at the date of issuance. Because codes continue to evolve, check with a local official prior to designing and installing a ceiling system. Other restrictions and exemptions may apply.

## Limitations

- For use with DGW Wall-to-Wall main tees only.
- ISB109 must not be used to cantilever main tees.
- Main tees must be supported at each end when hanger wires are used.

Manufactured by  
USG Interiors, LLC  
550 West Adams Street  
Chicago, IL 60661

The trademarks USG, CGC, SHEETROCK, IT'S YOUR WORLD. BUILD IT., the USG/CGC logo, the design elements and colors, and related marks are trademarks of USG Corporation or its affiliates.

Safety First! Follow good safety/industrial hygiene practices during installation. Wear appropriate personal protective equipment. Read SDS and literature before specification and installation.

