

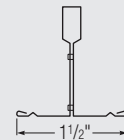
USG DRYWALL SUSPENSION SYSTEM

WALL-TO-WALL

USG Wall-to-Wall Drywall
Suspension System/USG Sheetrock®
Brand Gypsum Panels

TO ORDER SAMPLES, GO TO USG.COM OR CGCINC.COM

PROFILE



No hanger wires required for
spans up to 9'-0" with USG 5/8"
Sheetrock® Brand EcoSmart Panels

FEATURES AND BENEFITS

- Eliminates hanger wires for spans up to 9'-0" with USG 5/8" Sheetrock® Brand EcoSmart Panels or standard 1/2" thick gypsum panels.
- Simplifies construction for corridors and small rooms.
- Pre-engineered components allow easy transition between ceiling types and elevations.
- Min. G40 hot-dipped galvanized system, G90 available.
- Standard and custom lengths available.
- Manufactured in accordance with ASTM C635.
- ICC-ES Report ESR-4358.

APPLICATIONS

- Condominiums and apartments
- Healthcare
- Education
- Hotels
- Dormitories
- Office
- Corridors

Molding

USG Sheetrock® Brand
Gypsum Panels

USG DRYWALL SUSPENSION SYSTEM

WALL-TO-WALL

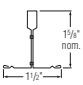

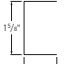
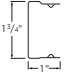
ORDER SAMPLES/LITERATURE
 USG: usg.com or samplitt@usg.com
 CGC: contact Sales Representative

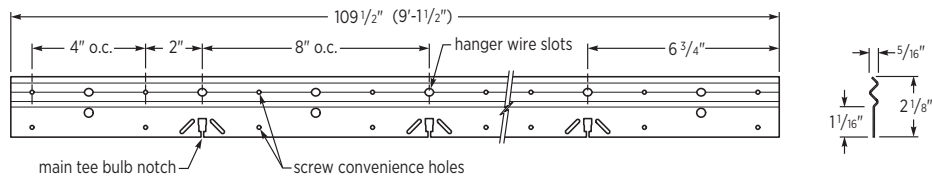
TECHNICAL SERVICES
 800.USG.4YOU (874-4968)

FOR MOST UP-TO-DATE
 TECHNICAL INFORMATION
 AND LEED REPORT TOOL
 usgdesignstudio.com
 cgcdesignstudio.com

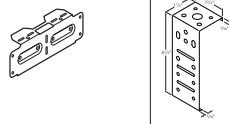
30 YEAR LIMITED SYSTEM WARRANTY
 • No Visible Sag
 • Mold/Mildew Protection

Load Test Data¹

	Length	Height	Face Width	Item No.	Fire Rating	Simple Span L/240 Uniform Load (lb./LF)							
						4'	5'	6'	7'	7'-6"	8'	8'-6"	9'
DGW Straight Tee 	6' 8' 10' 12' 14' Custom	1.617"	1-1/2"	DGW26s	Class A 	35.79	18.77	11.07	7.09	5.81	4.82	4.04	3.43
Moldings³ 	12'	1"	1-1/2"	DGWM24	—	—	—	—	—	—	—	—	—
	12'	1-5/8"	1"	DGCM27	—	—	—	—	—	—	—	—	—
	12'	1-3/4"	1"	DGLC-12	—	—	—	—	—	—	—	—	—



DGSC180 Splice Clip* CMAC-1 Close Mount Attachment Clip



* See AC3152 for additional main tee splice options.

MEMBRANE LOADS

Span	O.C. Spacing (in.)	Maximum Load (lb./SF)	VERTICAL SUPPORT	Tee Spacing	Drywall	Span ²	Support Requirement
4'	16	26.84			16" o.c.	1/2" (2.0 lbs./SF)	up to 9'
	24	17.89	9' 1"-16'*				Midspan
5'	16	14.08	16" o.c.		5/8" Sheetrock EcoSmart Firecode X (1.85 lbs./SF)	up to 9'	None
	24	9.38				9' 1"-16'*	Midspan
6'	16	8.31	24" o.c.		5/8" Sheetrock EcoSmart Firecode X (1.85 lbs./SF)	up to 8'-6"	None
	24	5.54				8' 7" to 16'***	Midspan
7'	16	5.32	16" o.c.		5/8" (2.4 lbs./SF)	up to 9'	None
	24	3.55				9' 1"-16'*	Midspan
7'-6"	16	4.36	24" o.c.		5/8" (2.4 lbs./SF)	up to 24'***	None
	24	2.90				16' 1"-24'***	Two supports at 1/3 points
8'	16	3.61	16" o.c.		5/8" (2.4 lbs./SF)	up to 9'	None
	24	2.41				9' 1"-16'*	Midspan
8'-6"	16	3.03	24" o.c.		5/8" (2.4 lbs./SF)	up to 9'	None
	24	2.02				9' 1"-16'*	Midspan
9'	16	2.57	16" o.c.		5/8" (2.4 lbs./SF)	up to 9'	None
	24	1.71				9' 1"-16'*	Midspan
10'	16	14.08*	24" o.c.		5/8" (2.4 lbs./SF)	up to 8'	None
	24	9.38*				8' 1"-16'*	Midspan
12'	16	8.31*	16" o.c.		5/8" (2.4 lbs./SF)	up to 9'	None
	24	5.54*				9' 1"-16'*	Midspan
16'	16	3.61*	24" o.c.	5/8" (2.4 lbs./SF)	up to 9'	None	
	24	2.41*			9' 1"-16'*	Midspan	

Notes
 *Vertical support at midspan.
 **Two vertical supports at 1/3 point.

USG DRYWALL SUSPENSION SYSTEM

WALL-TO-WALL

ORDER SAMPLES/LITERATURE
USG: usg.com or samplit@usg.com
CGC: contact Sales Representative

FOR MOST UP-TO-DATE
TECHNICAL INFORMATION
AND LEED REPORT TOOL
usgdesignstudio.com
cgcdesignstudio.com

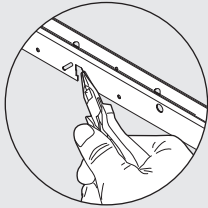
TECHNICAL SERVICES
800.USG.4YOU (874-4968)

30 YEAR LIMITED SYSTEM WARRANTY
• No Visible Sag
• Mold/Mildew Protection

USG INDEXED SUPPORT BAR ISB109 PROPERTIES

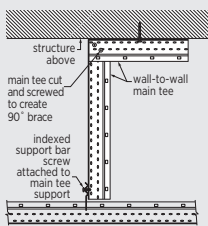
- Support spacing - 48" o.c. (hanger wires or other types such as steel studs or main tees).
- Main tee bulb notches spaced 8" o.c.
- Index notch to main tee pullout strength - 300 lb.
- Min. G40 hot-dipped galvanized steel.

TYPICAL INSTALLATION



Use pliers to open tab on stabilizer bar, once in place close tab to lock in place.

RECOMMENDED SUPPORT METHOD



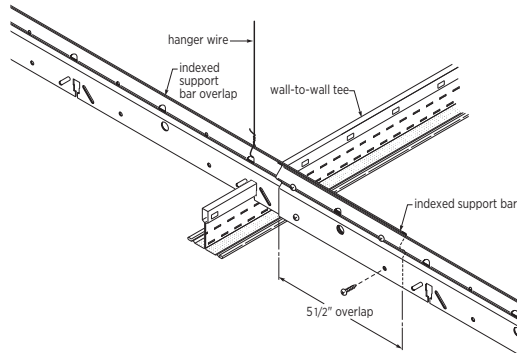
No blub means flush attachment when framing members are used for vertical support.

PHYSICAL DATA/ FOOTNOTES

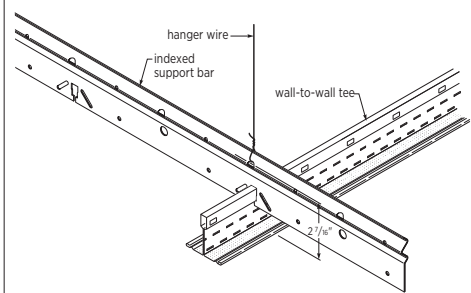
Notice
The information in this document is subject to change without notice. CGC Inc. or USG Corp. assumes no responsibility for any errors that may inadvertently appear in this document.

AC3230/rev. 2-23
© 2023 USG Corporation and/or its affiliates. All rights reserved. Printed in U.S.A.

Installation with Overlap



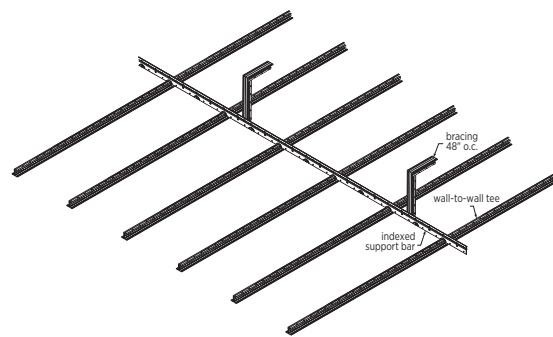
Hanger Wire Elevation



Note
Main tees must be supported at both ends when hanger wires are used

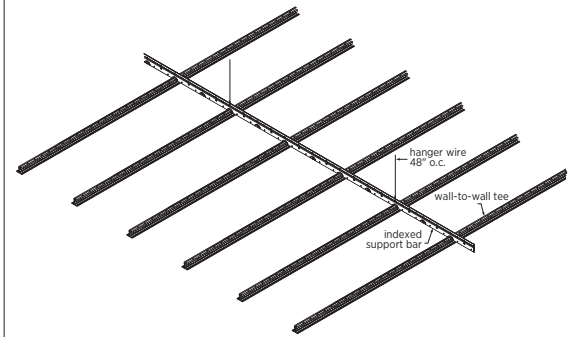
Vertical Support with Main Tees or Studs (Recommended)

- Bracing 48" o.c.
- Wall-to-wall tee 16" o.c. (typ.)



Vertical Support with Hanger Wires

- Hanger wire 48" o.c.
- Wall-to-wall tee 16" o.c. (typ.)
- Main tees must be supported at both ends when hanger wires are used.



Product literature and samples
Data sheet: AC3230
System brochure: AC3152

Finishes
Galvanized.

Online tools
usgdesignstudio.com or cgcdesignstudio.com

Material
Min. G40 double-web tee, G40 hot-dipped galvanized steel.

Installation
Install according to ASTM C636, ASTM E580, ASTM C754, CISCA and USG requirements. Alternate installation methods may be used when approved by the authority having jurisdiction.

- Notes**
1. Load test data shows uniform load in lb./LF based on simple span tests in accordance with ASTM deflection limit on L/240.
 2. Spans greater than 14' require main tee splice. Use DGSC180 splice clip or alternative splicing options described in system brochure AC3152.
 - Attachment to wall structure is required.
 - Members conform to performance standard C645.
 - ISB109 for use with USG Wall-to-Wall System only. Main tees must be supported on both ends.
 - ISB109 must not be used to cantilever main tees.
 - Refer to system brochure AC3152 for list of USG Sheetrock® Brand Panel weights (lb./SF)

Manufactured by USG Interiors, LLC
550 West Adams Street
Chicago, IL 60661

The trademarks USG, CGC, SHEETROCK, IT'S YOUR WORLD. BUILD IT, the USG/CGC logo, the design elements and colors, and related marks are trademarks of USG Corporation or its affiliates.

Safety First! Follow good safety/industrial hygiene practices during installation. Wear appropriate personal protective equipment. Read SDS and literature before specification and installation.

