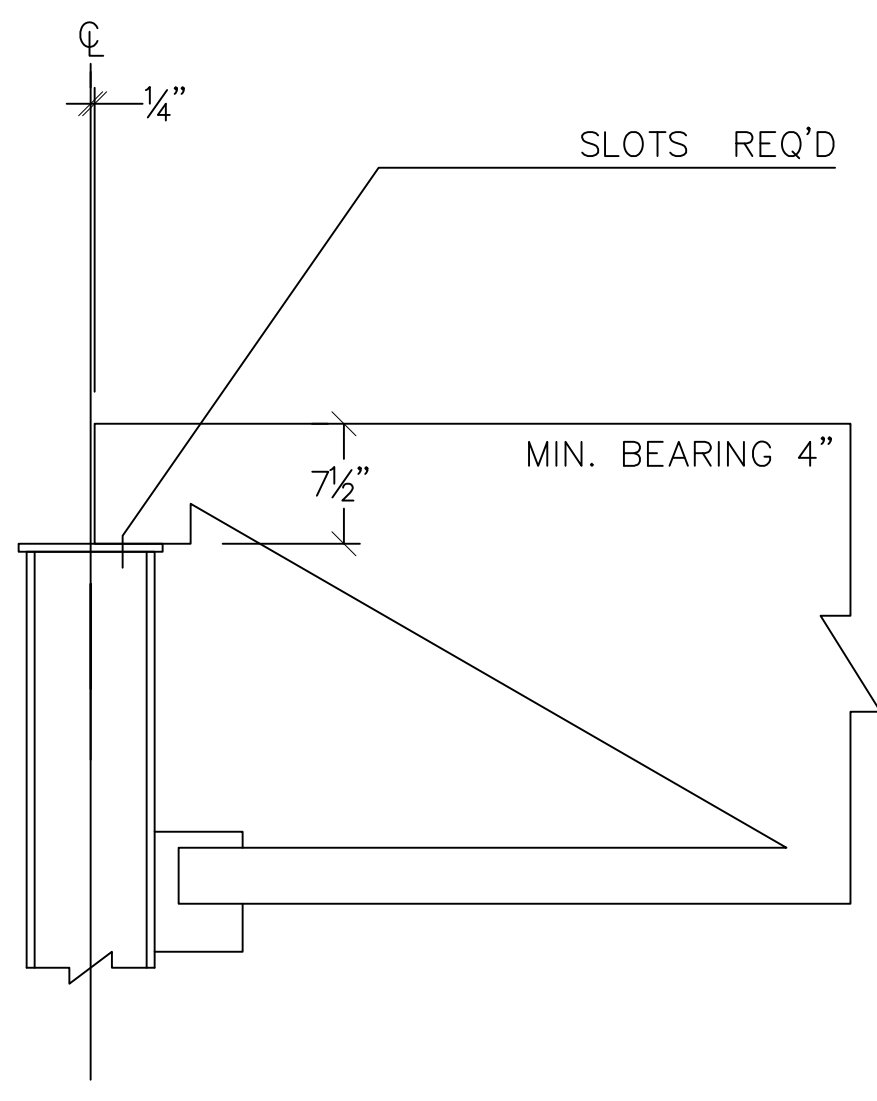
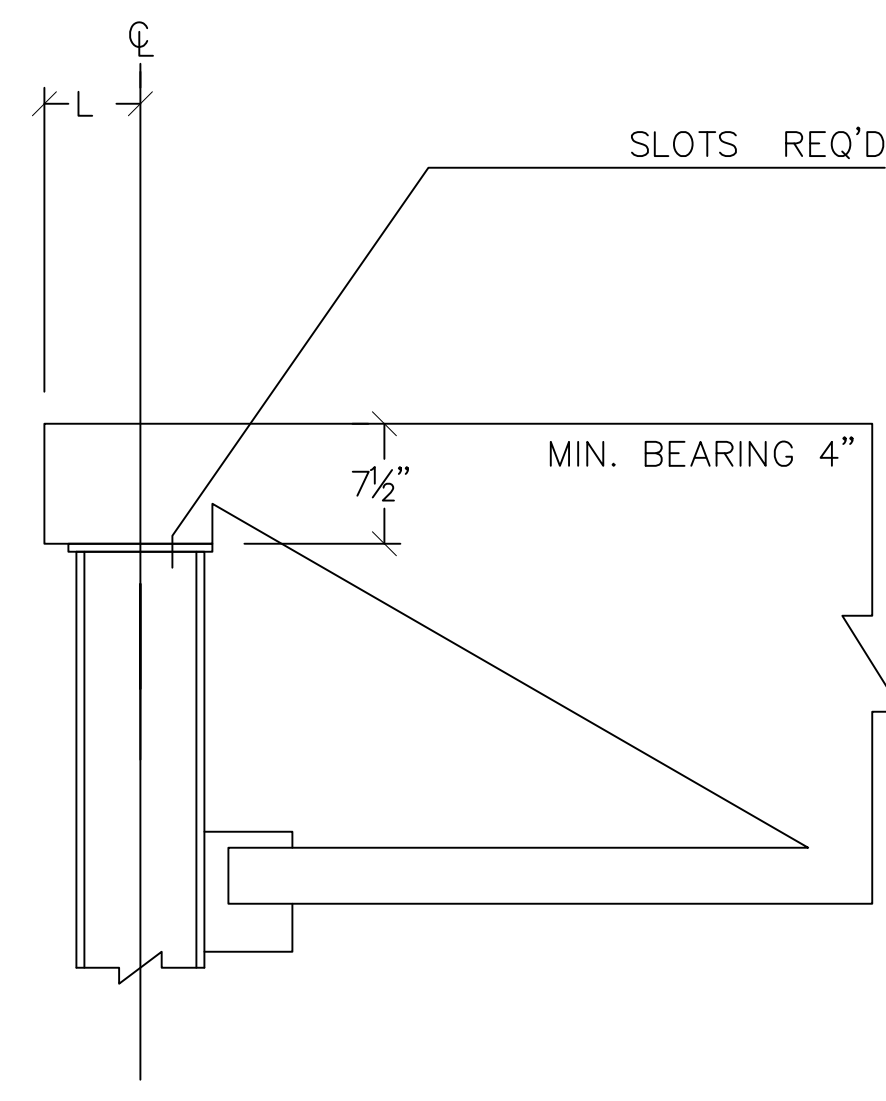


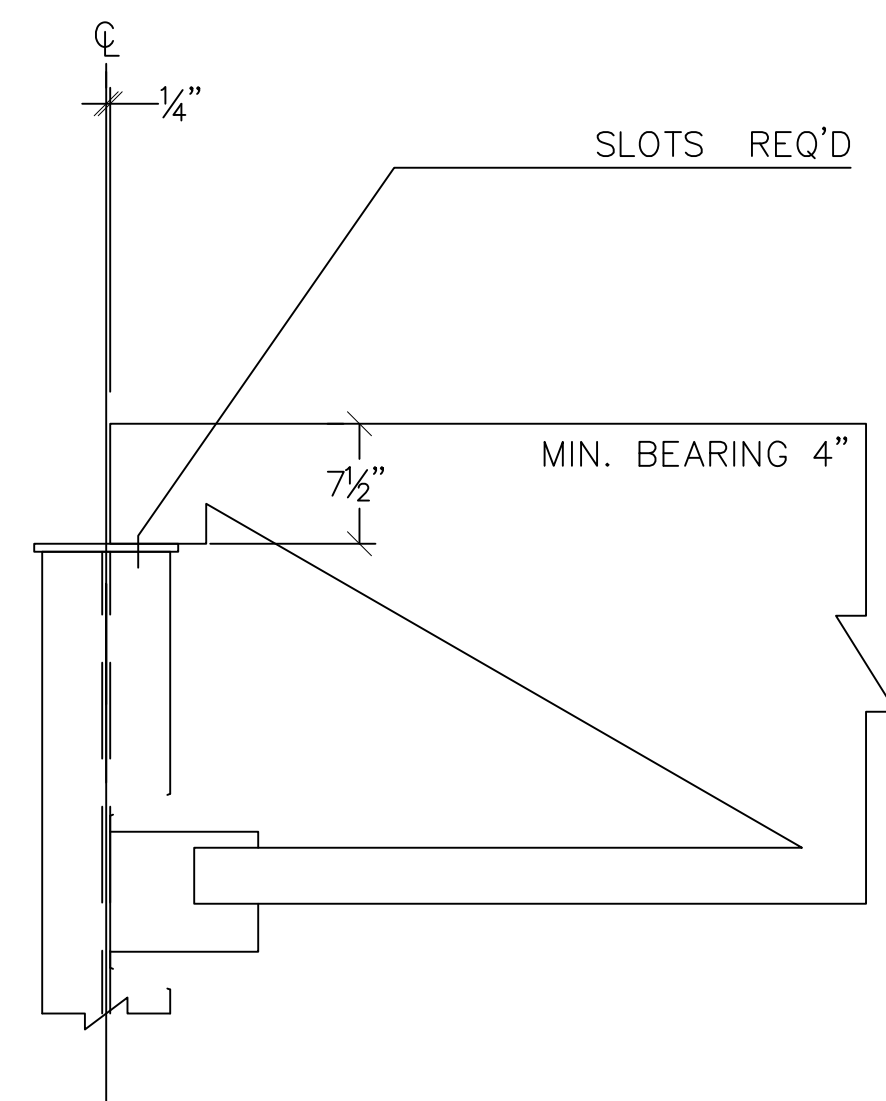
# GIRDER WELDED TO COLUMN



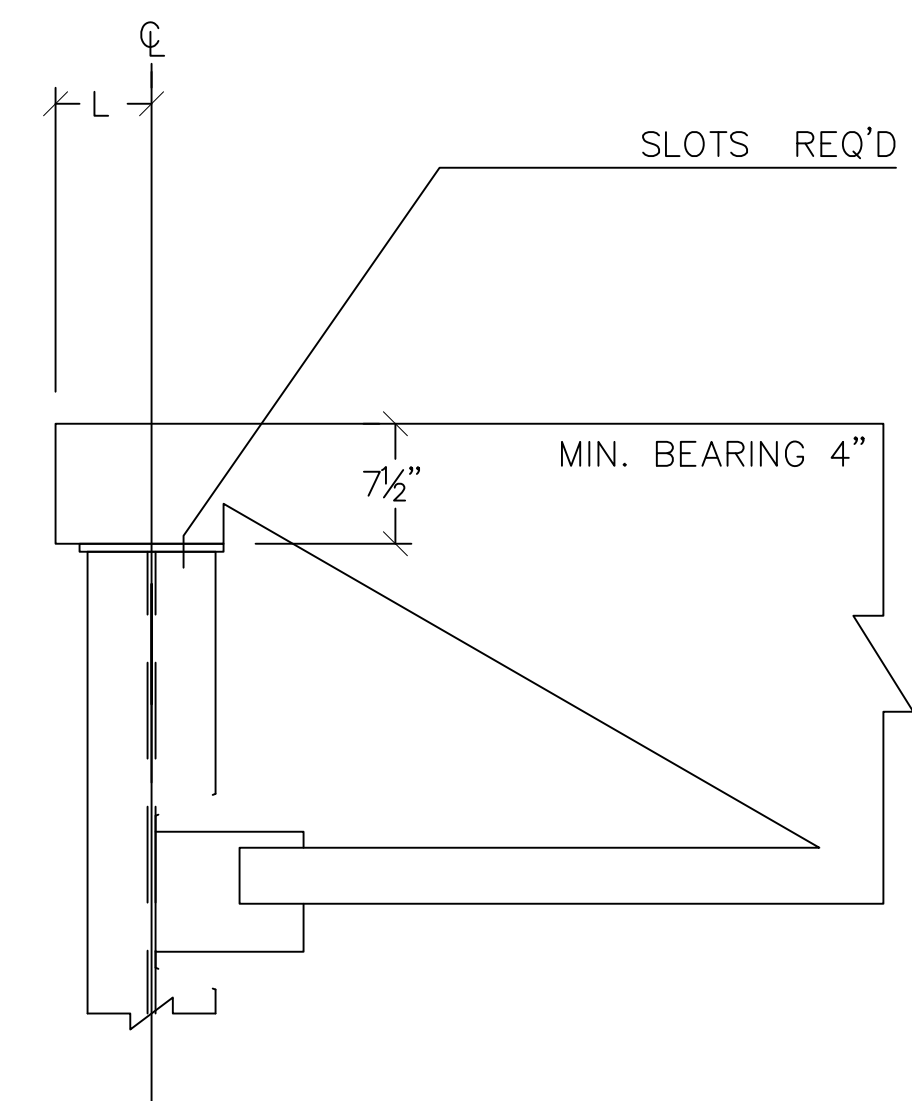
J52 ON TOP OF COLUMN



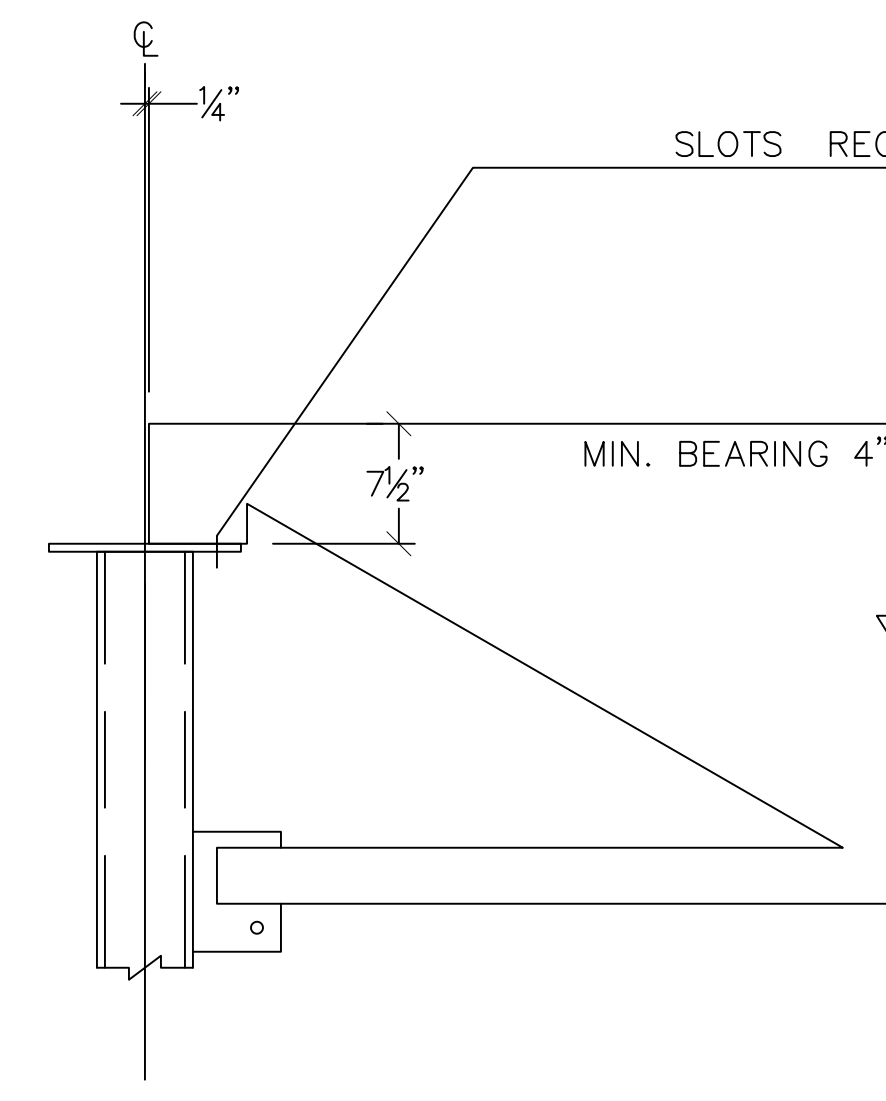
J53 ON TOP OF COLUMN W/ TCX



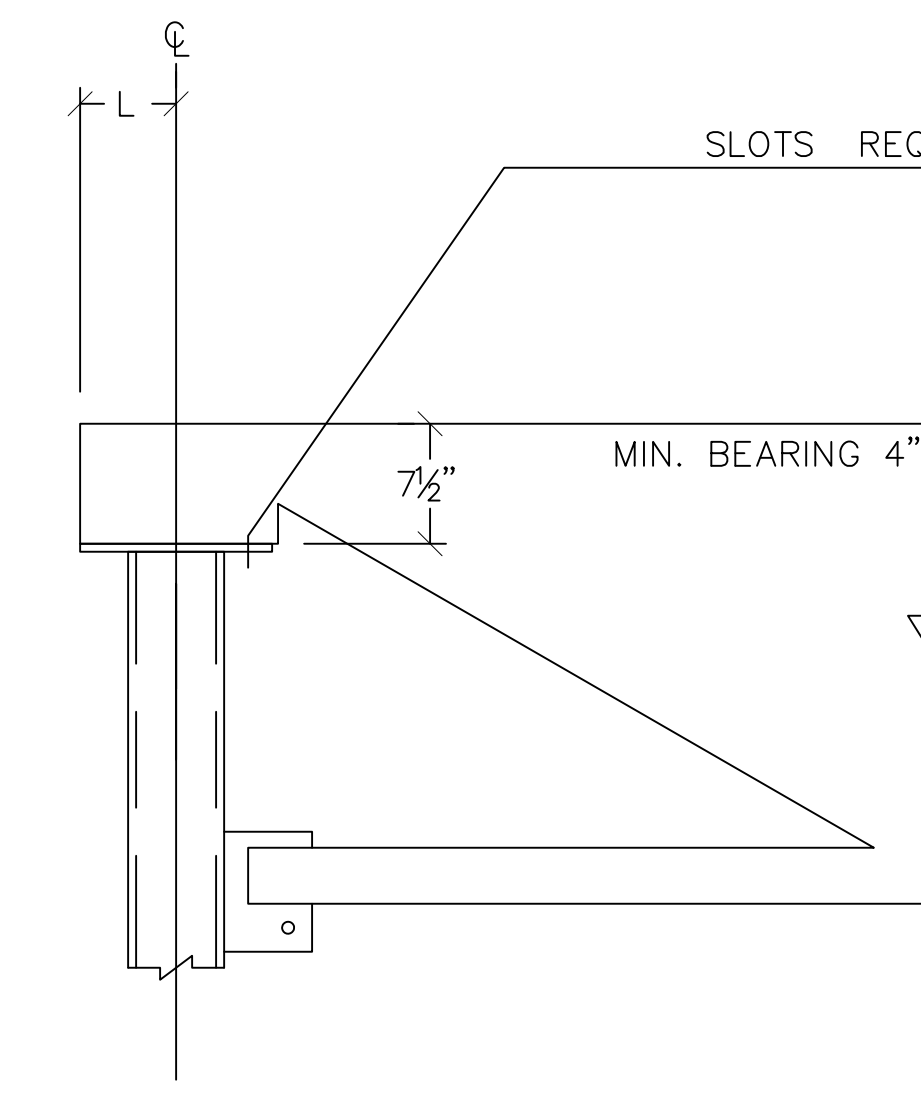
J54 ON TOP OF W-FLANGE COLUMN



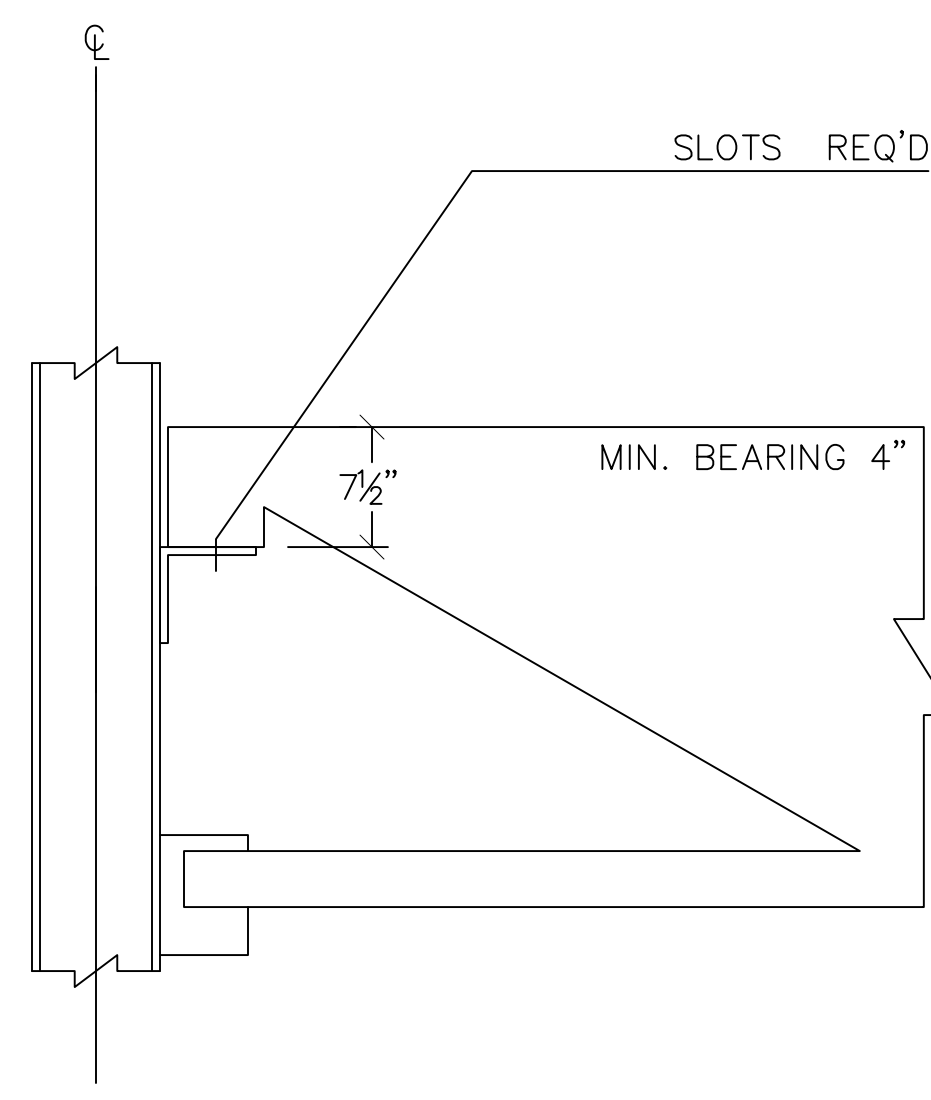
J55 ON TOP OF W-FLANGE COLUMN W/ TCX



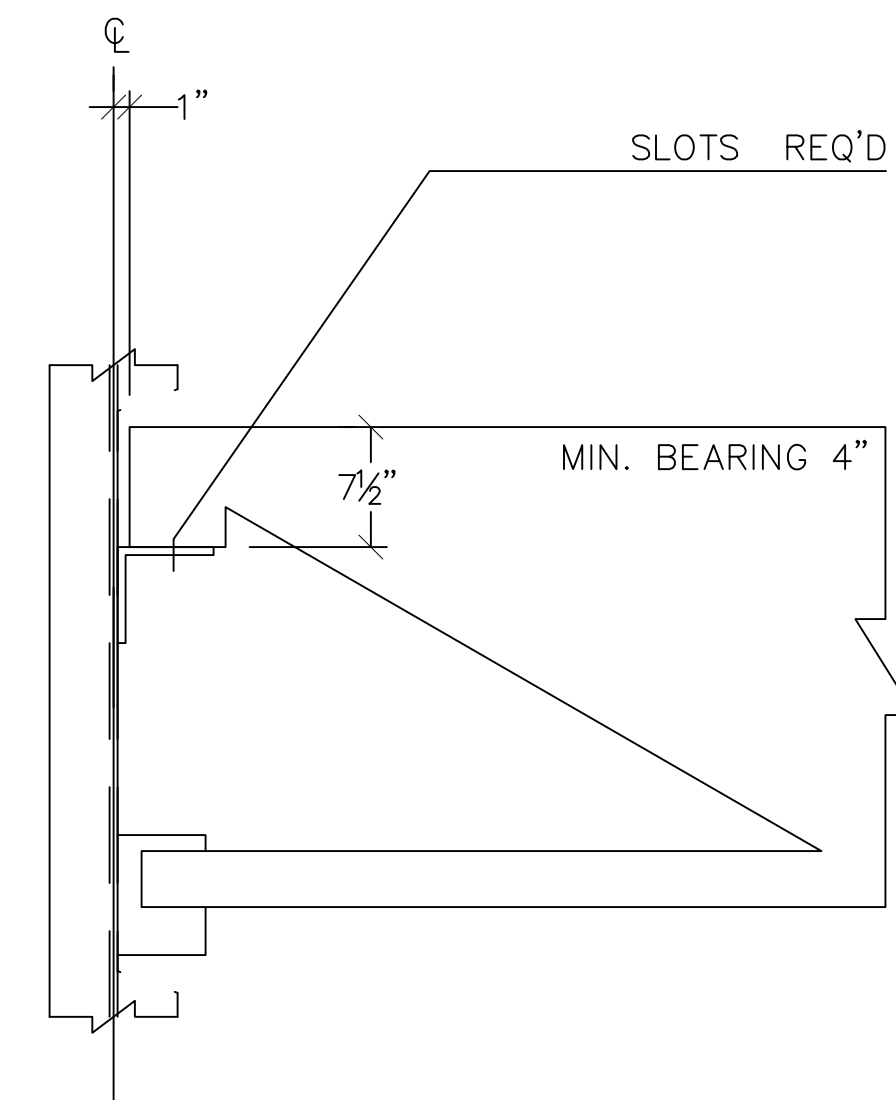
J56 ON TOP OF COLUMN



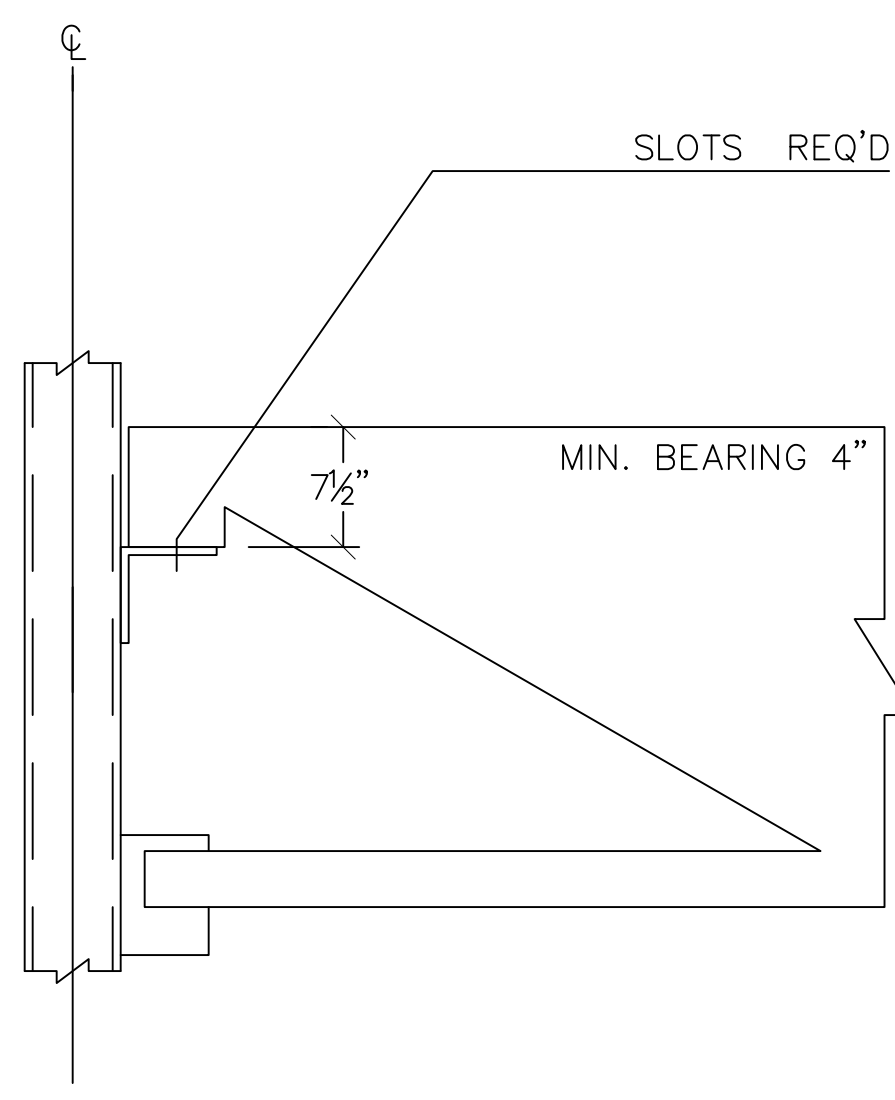
J57 ON TOP OF COLUMN W/ TCX



J58 ON SIDE OF W - FLANGE COLUMN



J59 ON WEB OF W - FLANGE COLUMN



J60 ON SIDE OF W - FLANGE COLUMN