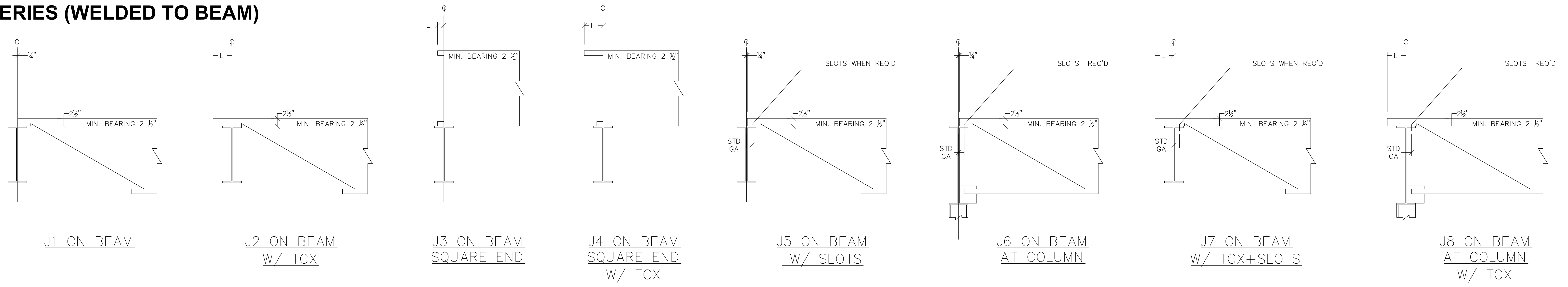
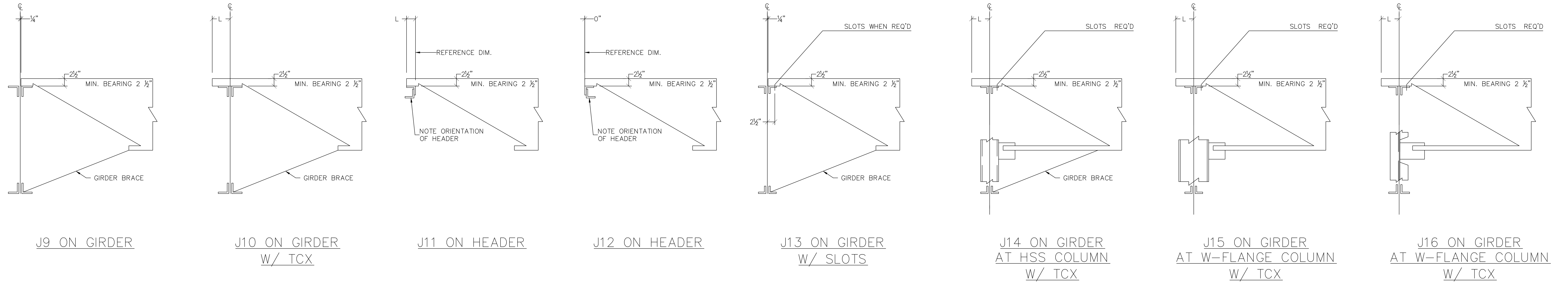


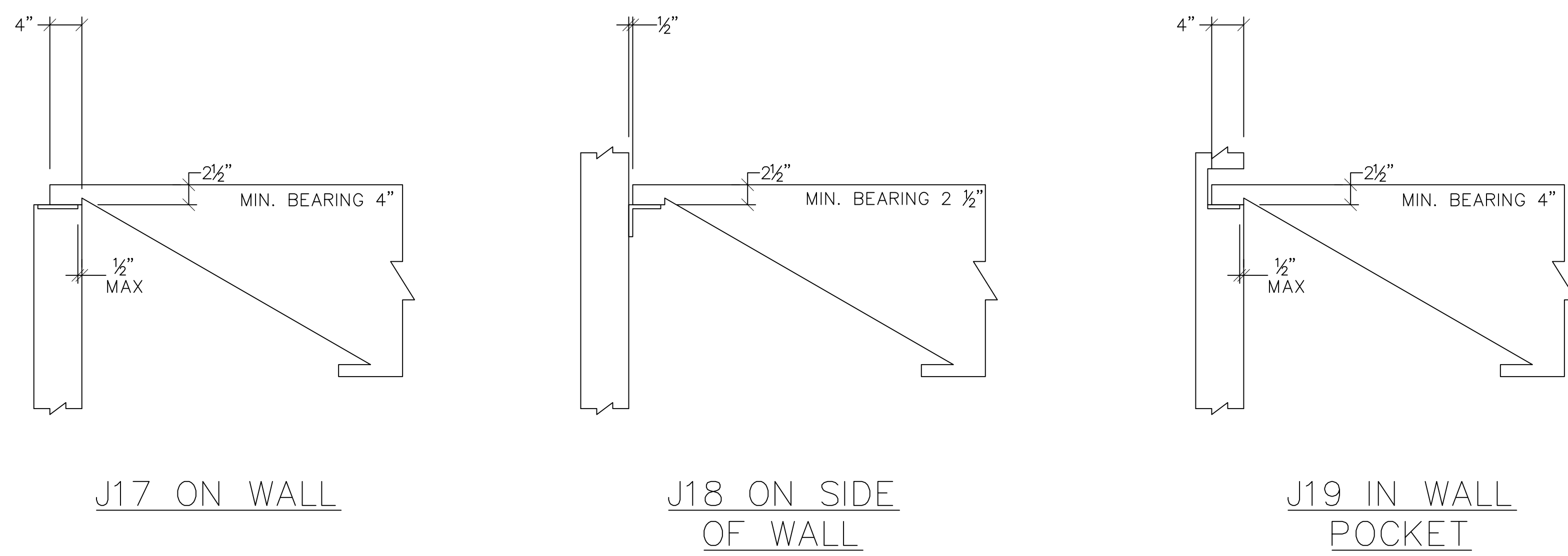
K-SERIES (WELDED TO BEAM)



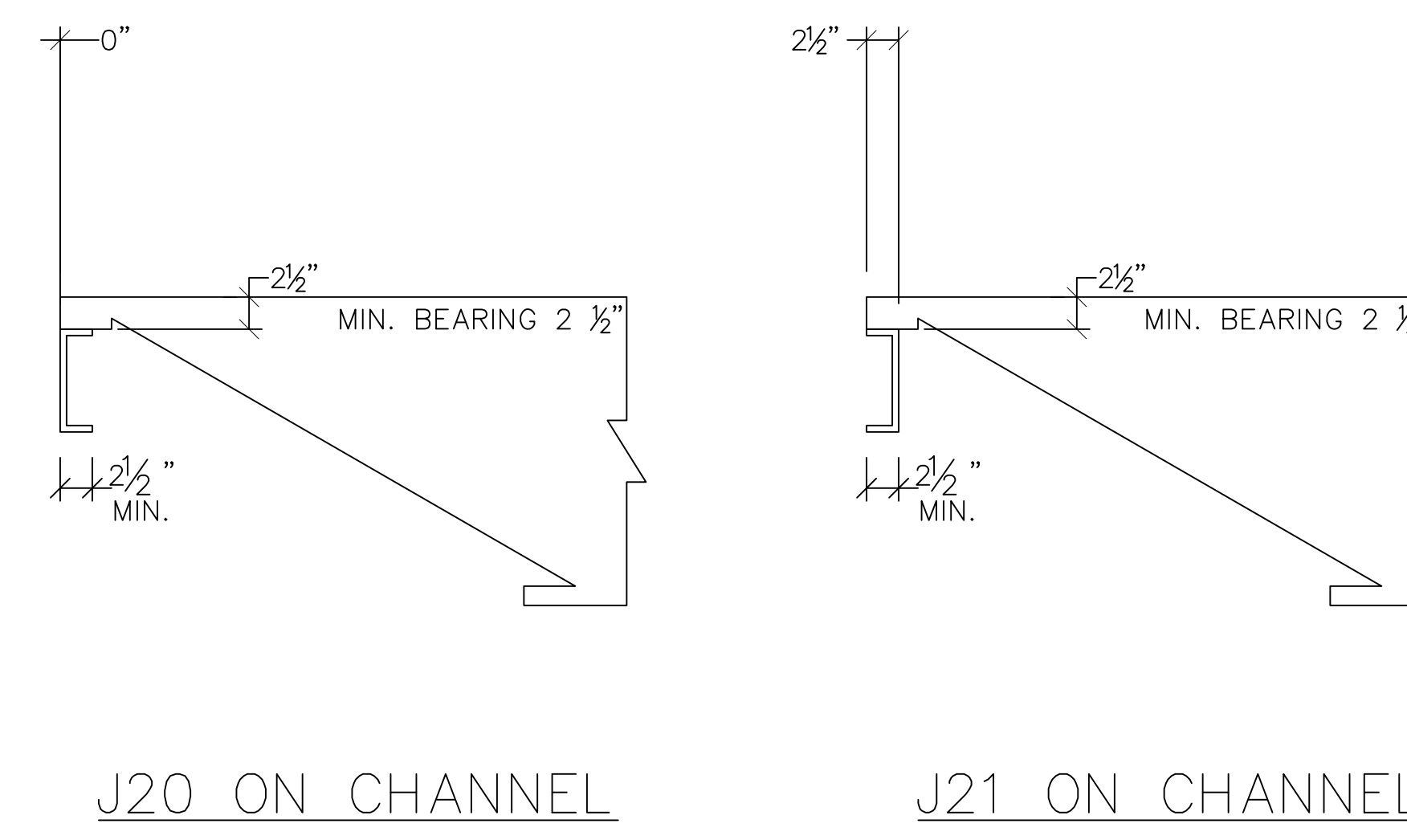
K-SERIES (WELDED TO GIRDER AND HEADER)



K-SERIES (WELDED TO WALL)



K-SERIES (WELDED TO CHANNEL)



K-SERIES (WELDED TO COLUMN)

