

DETAIL & SUBMITTAL SHEET

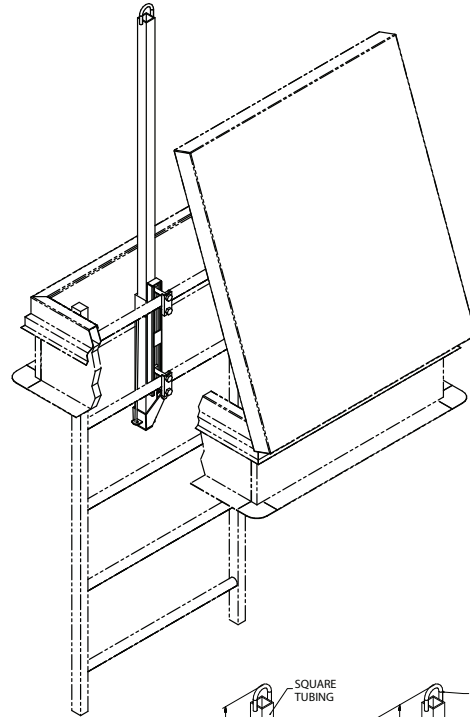
by Bilco

SPECIFICATIONS:

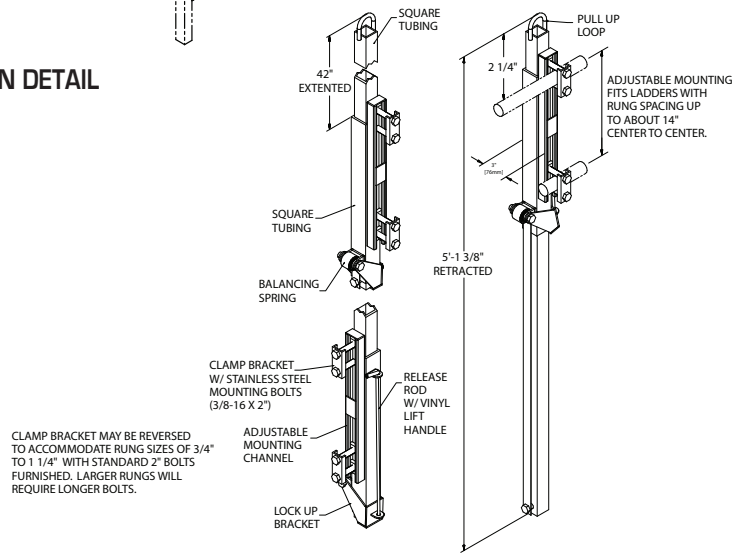
The Bilco LadderUP is furnished completely assembled, ready to mount on rear of ladder with clamp brackets on climbing side

- Bracket may be reversed to accommodate rung sizes of 3/4" to 1 1/4" with standard 2" furnished stainless steel mounting bolts. Larger rungs require longer bolts.
- Adjustable mounting fits ladders with rung spacing up to about 14" center to center
- Features pull up loop, release rod with vinyl lift handle, lock up bracket, balancing spring, square tubing, and adjustable mounting channel

✓	Item No.	Material/Finish	Ship Wt. Lbs.
	LU 1	Steel/black	24
	LU 2	Steel/galvanized	24



SECTION DETAIL



Project: _____ Date: _____

Contractor: _____ Architect: _____

Sizes: _____ Quantity: _____ Approval Initials: _____



Corporate Office: 1330 Progress Drive • Front Royal, VA 22630
 Phone: 1-800-255-5515 • Fax: 1-800-822-5001

www.wbdoors.com