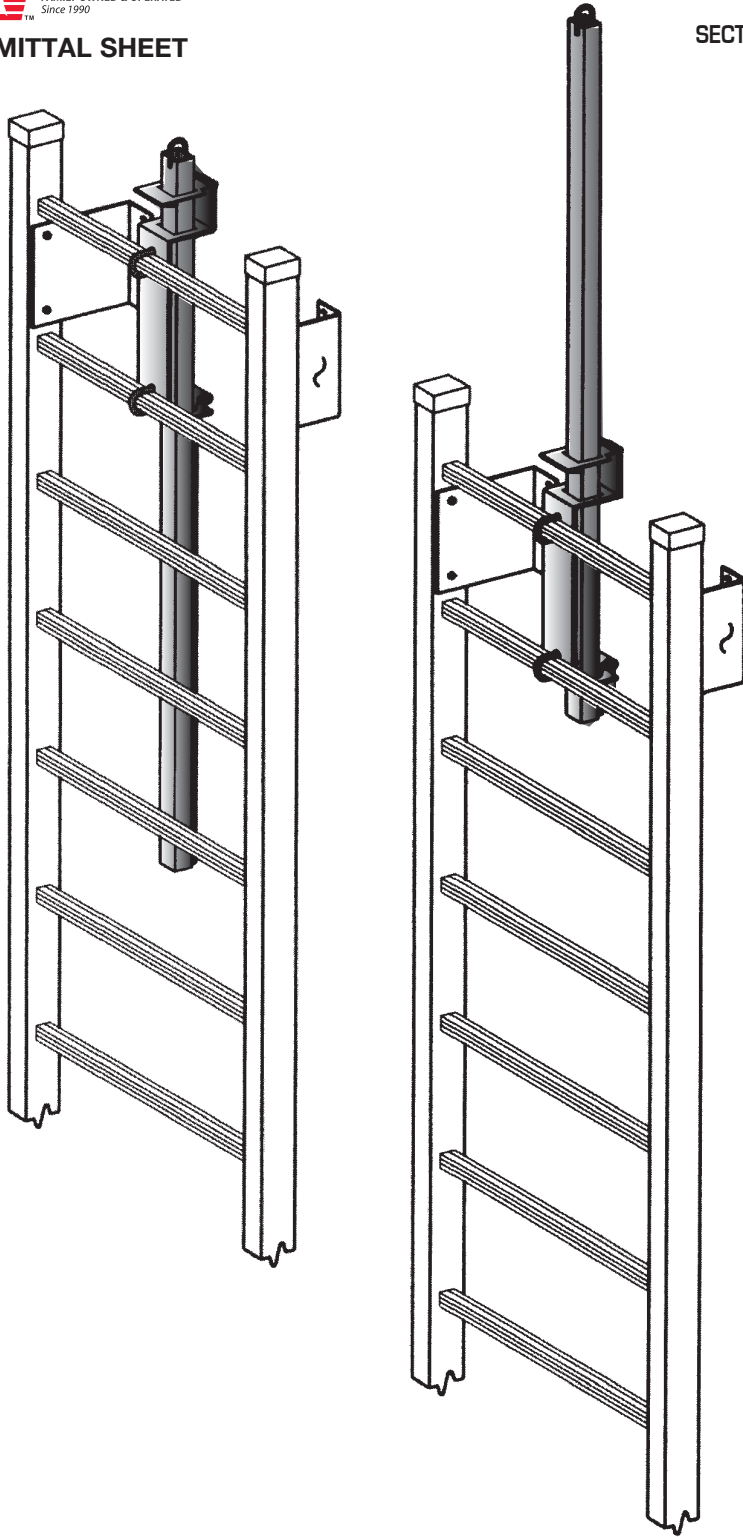


SUBMITTAL SHEET



SECTION DETAIL

SPECIFICATIONS:

WB Safety Posts provide easier, safer ladder access through roof hatches, floor, vault, and sidewalk doors, and manholes. Post extends 40" from top rung of ladder. The shortest ladder for use with safety post is 72" long.

This telescoping post permanently mounts to the top two rungs of any fixed ladder, providing a positive hand-hold and enabling the user to enter or exit an opening in an upright and balanced position.

- Aluminum Mill Finish (Not painted)
- Adjustable mounting hardware accommodates virtually any ladder rung size or spacing.
- Telescoping design is spring balanced for ease of operation.
- Automatically locks in the fully raised position to provide the user with a firm and steady hand-hold.
- Handy release lever allows the post to be easily lowered to its retracted position.

✓	Model No.	Ship Wt. Lbs.
	WB SP Safety Post*	24

Project: _____ Date: _____

Contractor: _____ Architect: _____

Sizes: _____ Quantity: _____ App Initials: _____

1330 Progress Drive • Front Royal, VA 22630 • Phone: 1-800-255-5515 • www.wbdoors.com



The World's Largest Access Door Store.™

