

**SUBMITTAL SHEET**

**FRONT ELEVATION**

**SPECIFICATIONS:**

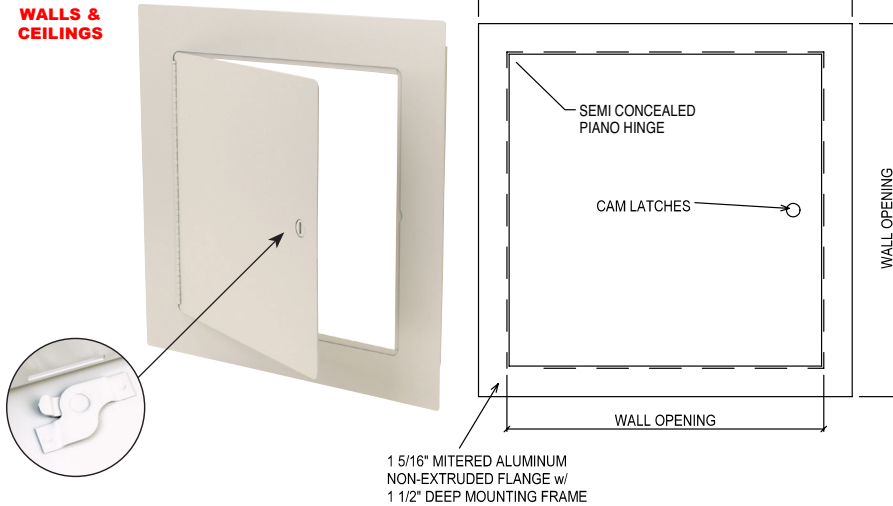
- Door & Trim:** Non-extruded .063 Aluminum
- Finish:** Primed white baked enamel, **paintable surface**
- Latch:** Flush aluminum cam latch
- Hinge:** Semi-concealed piano hinge allows **180° opening**
- Insulation:** 1" TUFF-RTM polyisocyanurate insulation, with 6.5 R-Value at 75° F mean temperature
- Gasket:** Weather resistant neoprene gasket on 3 sides

**OPTIONS (at additional cost)**

- WB Key Cylinder Locks - keyed alike 2 keys per door
- Special sizes available

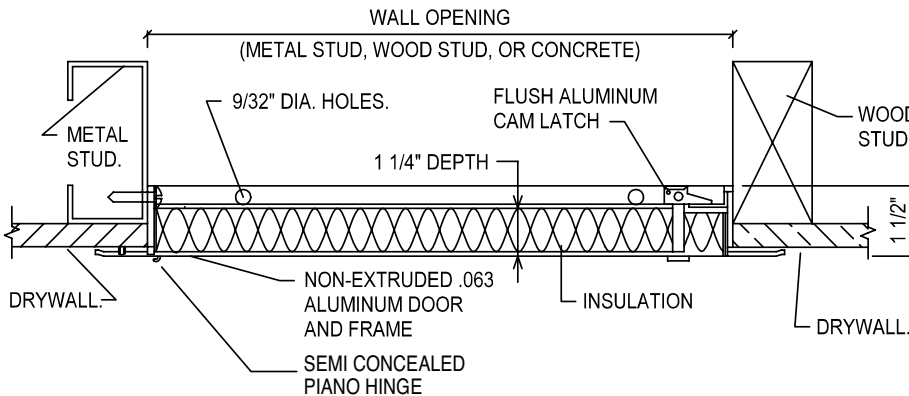
| ✓ | Model No. | Door Size W x H | Wall Opening    | Cam Latches | Ship Wt. Lbs. |
|---|-----------|-----------------|-----------------|-------------|---------------|
|   | AL 1500   | 6 x 6           | 6 1/4 x 6 1/4   | 1           |               |
|   | AL 1500   | 8 x 8           | 8 1/4 x 8 1/4   | 1           |               |
|   | AL 1500   | 8 x 12          | 8 1/4 x 12 1/4  | 1           |               |
|   | AL 1500   | 8 x 16          | 8 1/4 x 16 1/4  | 1           |               |
|   | AL 1500   | 10 x 10         | 10 1/4 x 10 1/4 | 3           |               |
|   | AL 1500   | 12 x 12         | 12 1/4 x 12 1/4 | 3           |               |
|   | AL 1500   | 12 x 16         | 12 1/4 x 16 1/4 | 3           |               |
|   | AL 1500   | 12 x 18         | 12 1/4 x 18 1/4 | 3           |               |
|   | AL 1500   | 12 x 24         | 12 1/4 x 24 1/4 | 4           |               |
|   | AL 1500   | 14 x 14         | 14 1/4 x 14 1/4 | 3           |               |
|   | AL 1500   | 14 x 24         | 14 1/4 x 24 1/4 | 3           |               |
|   | AL 1500   | 16 x 16         | 16 1/4 x 16 1/4 | 3           |               |
|   | AL 1500   | 16 x 20         | 16 1/4 x 20 1/4 | 3           |               |
|   | AL 1500   | 16 x 24         | 16 1/4 x 24 1/4 | 4           |               |
|   | AL 1500   | 18 x 18         | 18 1/4 x 18 1/4 | 3           |               |
|   | AL 1500   | 18 x 24         | 18 1/4 x 24 1/4 | 4           |               |
|   | AL 1500   | 18 x 36         | 18 1/4 x 36 1/4 | 5           |               |
|   | AL 1500   | 20 x 20         | 20 1/4 x 20 1/4 | 3           |               |
|   | AL 1500   | 20 x 24         | 20 1/4 x 24 1/4 | 4           |               |
|   | AL 1500   | 20 x 30         | 20 1/4 x 30 1/4 | 4           |               |
|   | AL 1500   | 22 x 22         | 22 1/4 x 22 1/4 | 4           |               |
|   | AL 1500   | 22 x 24         | 22 1/4 x 24 1/4 | 4           |               |
|   | AL 1500   | 22 x 30         | 22 1/4 x 30 1/4 | 4           |               |
|   | AL 1500   | 22 x 36         | 22 1/4 x 36 1/4 | 5           |               |
|   | AL 1500   | 24 x 24         | 24 1/4 x 24 1/4 | 4           |               |
|   | AL 1500   | 24 x 30         | 24 1/4 x 30 1/4 | 4           |               |
|   | AL 1500   | 24 x 36         | 24 1/4 x 36 1/4 | 5           |               |
|   | AL 1500   | 24 x 48         | 24 1/4 x 48 1/4 | 6           |               |
|   | AL 1500   | 30 x 30         | 30 1/4 x 30 1/4 | 6           |               |
|   | AL 1500   | 30 x 36         | 30 1/4 x 36 1/4 | 6           |               |
|   | AL 1500   | 32 x 32         | 32 1/4 x 32 1/4 | 6           |               |
|   | AL 1500   | 36 x 36         | 36 1/4 x 36 1/4 | 7           |               |
|   | AL 1500   | 36 x 48         | 36 1/4 x 48 1/4 | 8           |               |
|   | AL 1500   | 48 x 48         | 48 1/4 x 48 1/4 | 12          |               |

**WALLS & CEILINGS**



1 5/16" MITERED ALUMINUM NON-EXTRUDED FLANGE w/ 1 1/2" DEEP MOUNTING FRAME

**SECTION DETAIL**



This lightweight, insulated, all aluminum access door is ideal for exterior applications, and also those specific interior applications where corrosion or moisture is a concern. Access to large openings in walls and ceilings is made easy. The non-extruded door frame has the same visual aesthetic design as the GP 100 Series door. Comes with gasket on 3 sides. The aluminum door panel is insulated with 1" TUFF-RTM polyisocyanurate.

Project: \_\_\_\_\_ Date: \_\_\_\_\_  
 Contractor: \_\_\_\_\_ Architect: \_\_\_\_\_  
 Sizes: \_\_\_\_\_ Quantity: \_\_\_\_\_ App Initials: \_\_\_\_\_

1330 Progress Drive • Front Royal, VA 22630 • Phone: 1-800-255-5515 • [www.wbdoors.com](http://www.wbdoors.com)



*The World's Largest Access Door Store.™*

