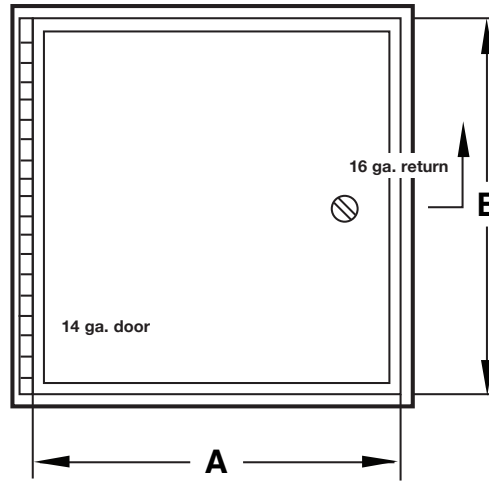
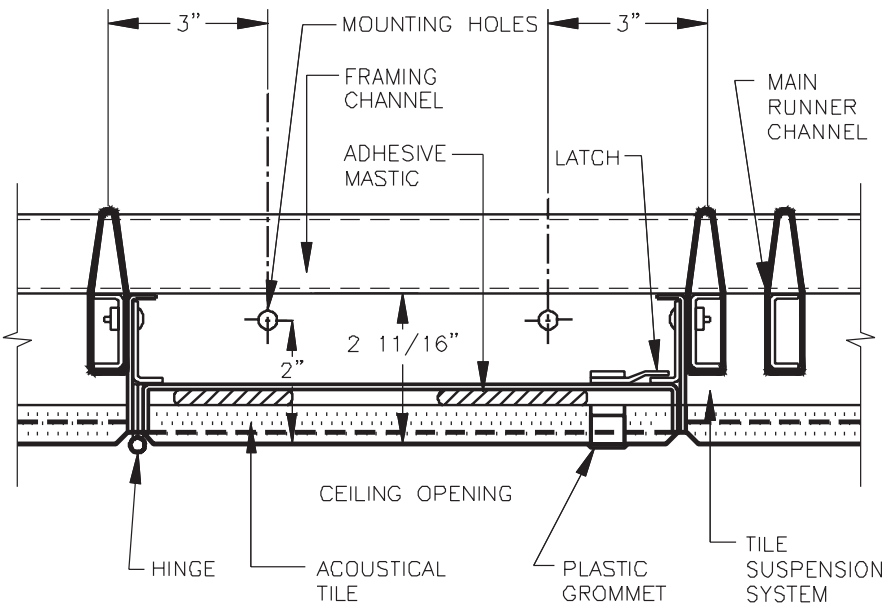


SUBMITTAL SHEET

WALLS & CEILINGS



SECTION DETAIL



SPECIFICATIONS:

Door: 16 ga. steel. Door is recessed to meet sound barriers

Trim: 16 ga. steel

Finish: White baked enamel, **paintable surface**

Latches: Flush, stainless steel cam latch

Hinge: Continuous piano hinge opens 180°

OPTIONS (at additional cost)

- Key operated medium barrel cylinder lock
- Gasket on all 4 sides (Closed cell sponge, blend of Neoprene/EPDM/SBR. Meets ASTM D-1056: SCE 41, RE 41, 2A1; substrate UL 94HF-1 recognized)
- Special sizes available
- _____

✓	Model No.	Door Size W x H	Wall Opening	Cam Latch	Ship Wt. Lbs.
	AT 600	12 x 12	12 1/4 x 12 1/4	1	8
	AT 600	18 x 18	18 1/4 x 18 1/4	3	15
	AT 600	24 x 24	24 1/4 x 24 1/4	3	28
	AT 600	24 x 36	24 1/4 x 24 1/4	3	32

A precision door that provides a virtually concealed installation, 5/8" gypsum board, keeping acoustical surfaces intact while contributing to sound control with STC rating and better appearance.

Project: _____ Date: _____
 Contractor: _____ Architect: _____
 Sizes: _____ Quantity: _____ App Initials: _____

1330 Progress Drive • Front Royal, VA 22630 • Phone: 1-800-255-5515 • www.wbdoors.com

RELATED PRODUCTS

WB DWAL 411 Aluminum Panel with Fixed Hinges



The World's Largest Access Door Store.™

